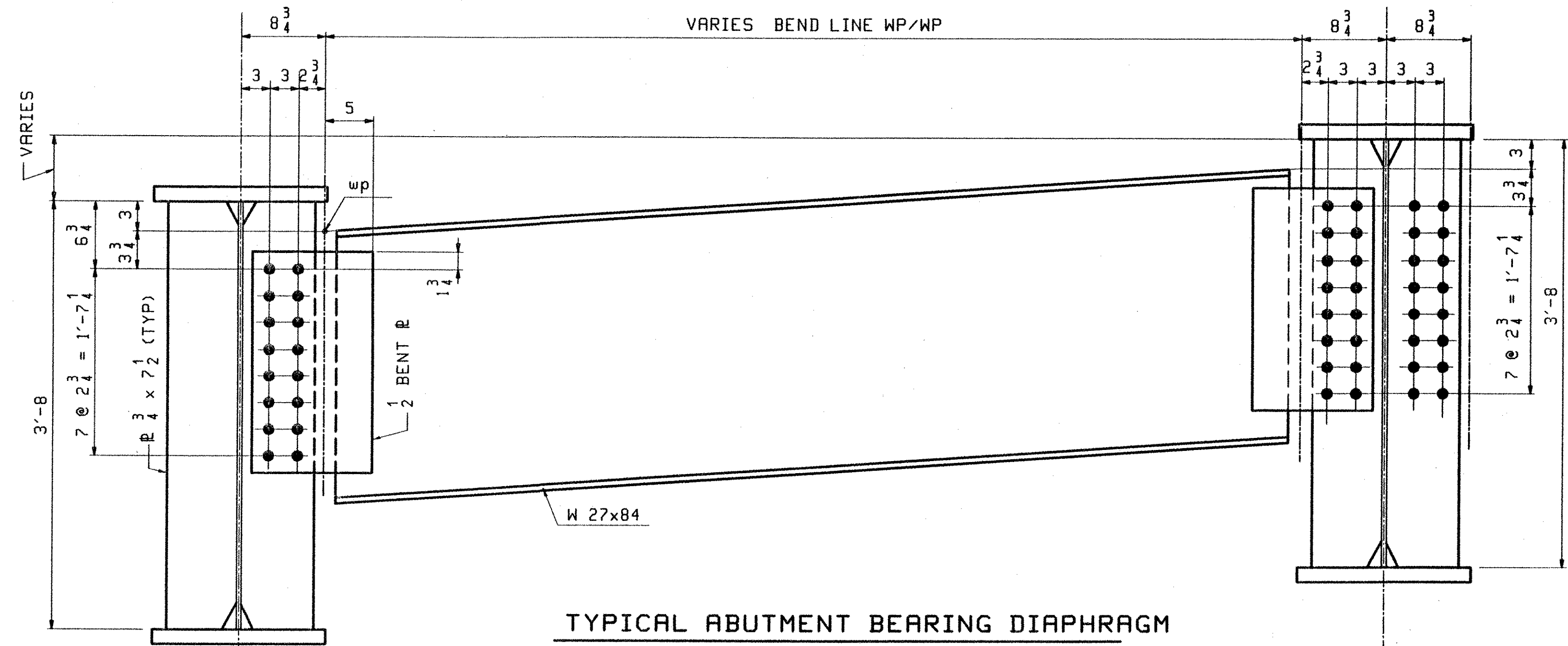
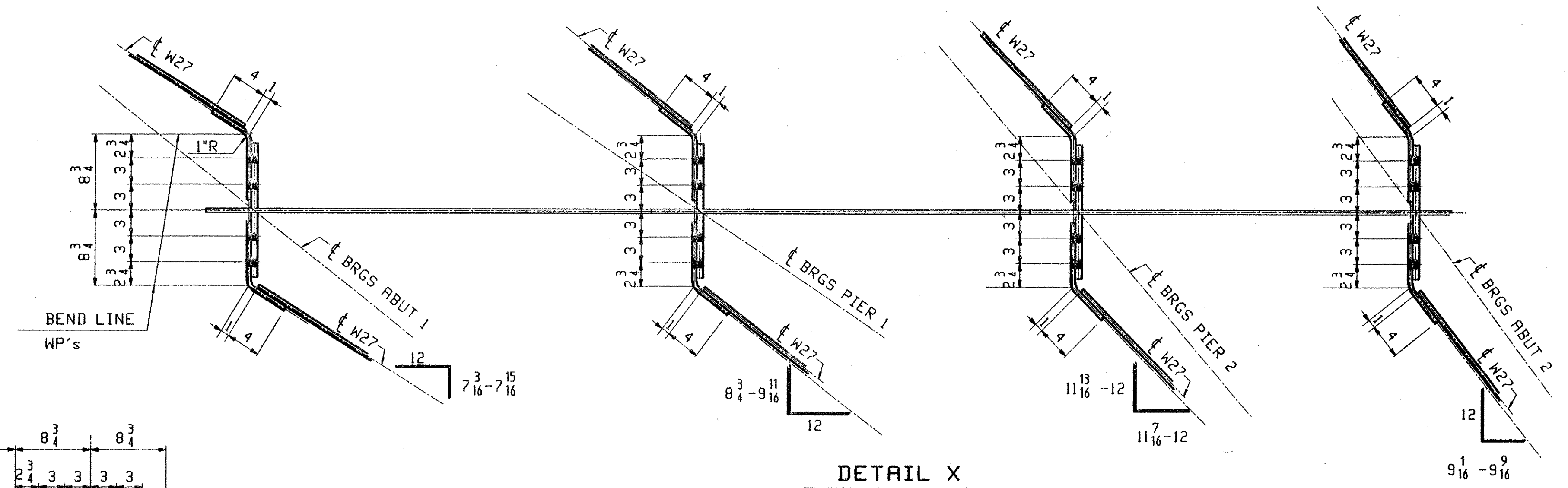


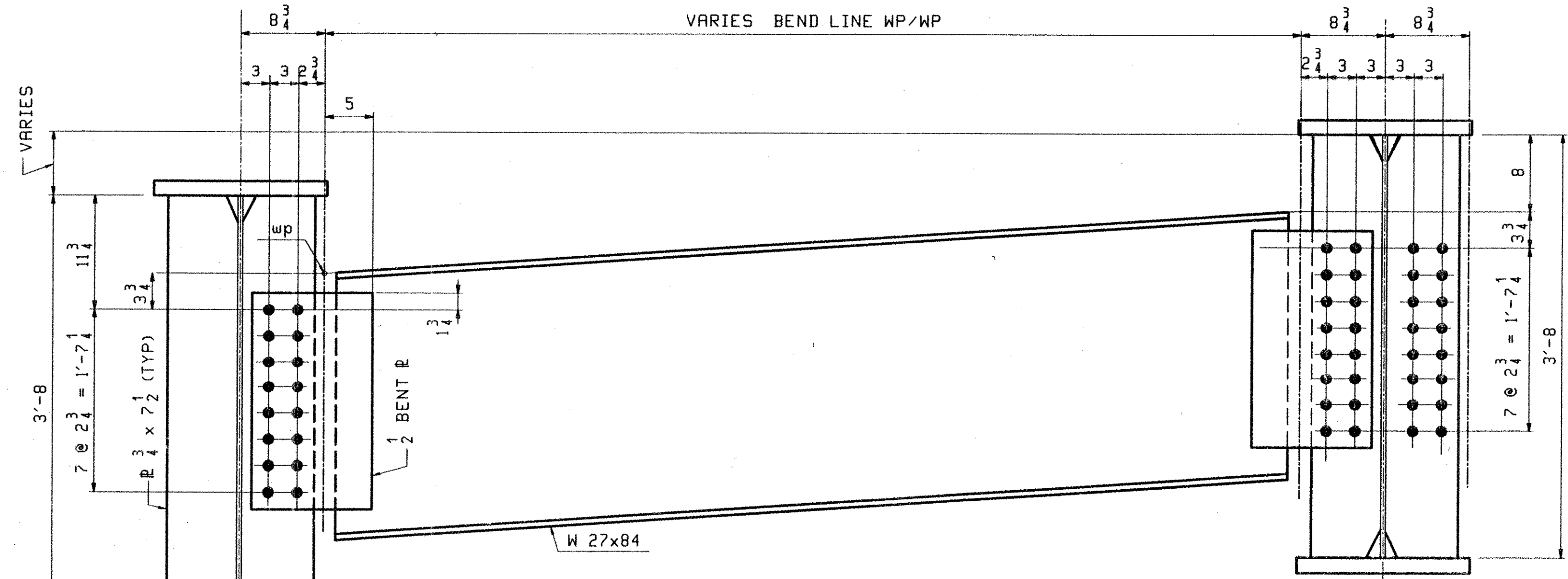
**TYPICAL INTERMEDIATE CROSSFRAME**  
LOOKING SOUTH



**TYPICAL ABUTMENT BEARING DIAPHRAGM**  
DEVELOPED LOOKING SOUTH



**DETAIL X**



**TYPICAL INTERMEDIATE PIER DIAPHRAGM**  
DEVELOPED LOOKING SOUTH

RECEIVED  
 OK'D BY: *DJV* OK'D BY: \_\_\_\_\_  
 SEP 16 2002  
 RESUBMIT: \_\_\_\_\_ APPROVED: *[check]*  
 BY: *RRW* DATE: 10-3-02

OUT FOR APPROVAL	<i>9-13-02</i>										
OUT FOR APPROVAL											
ISSUED TO SHOP											
FIELD & OFFICE											
REV.	REMARKS	DATE	DWN	CHK	APP	Q.A.	NO.	DIA.	LGT	TYPE	WASHER

MATERIAL:	ELECTRODES:	HOLES:	BOLTS:
M270-50W		15 16 ∅	7 8 ∅ A325-3
SURFACE PREP. & PAINT:			
DESCRIPTION:	TYPICAL LAYOUTS	DRAWN BY:	DATE:
JOB:	VT. ROUTE OVER DEERFIELD RIVER	WJG	06/22
	BRIDGE 25B	CHKD BY:	
	SEARSBURG-WILMINGTON	JAK	7/24
	SEARSBURG BENINGTON	APPROV BY:	
		SUPERVISOR:	H. J. GATTI
PROJ NO.	F-010-1(18)	G.A.	
CUSTOMER: VERMONT D.O.T.			
<b>CASCO BAY STEEL STRUCTURES, INC.</b>		JOB NO.	DRG. NO.
75 SPRING HILL ROAD		167	T01
SACO, MAINE 04072		PHONE (207) 282-7360	FAX (207) 282-1179
REV.	REMARKS	DATE	REV.

DWG. T-01 JUL 25 10:05AM EDT 2002 C:\CADD\JOHN\2504\T01.RWG