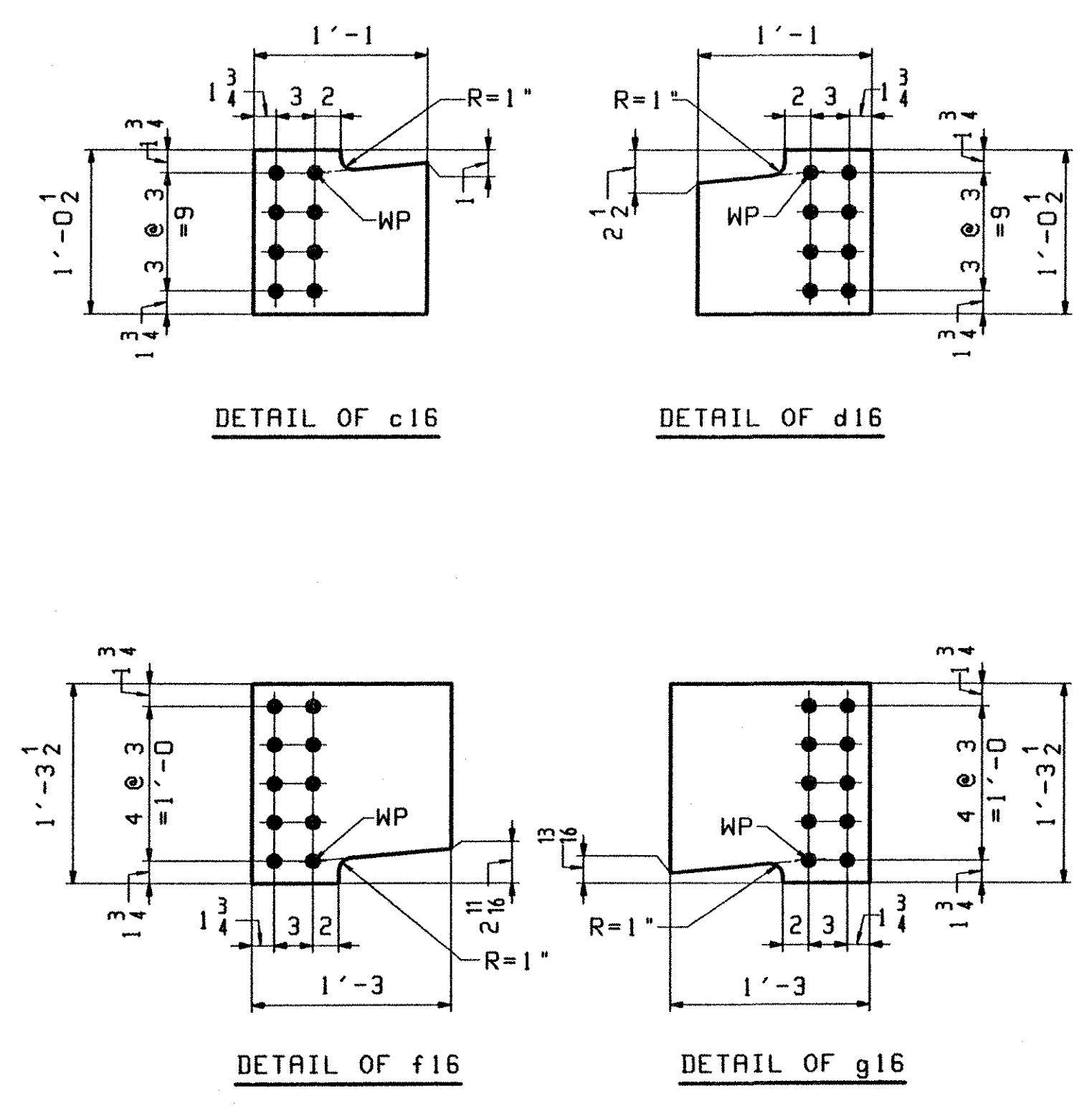


INTERMEDIATE CROSSFRAME TYPE C2
LOOKING BACK-STATION

MARK	REQ'D	DROP	(A)	BEV1	BEV2	BEV3	PAINT
16CF1	23	8 ⁵ / ₈	3'-7 ¹³ / ₁₆	1 ¹ / ₁₆	8	11 ¹ / ₂	NO
16CF2	2	8 ⁵ / ₈	3'-7 ¹³ / ₁₆	1 ¹ / ₁₆	8	11 ¹ / ₂	YES
16CF3	42	8 ¹⁵ / ₁₆	3'-7 ⁵ / ₈	1 ¹ / ₈	7 ¹⁵ / ₁₆	11 ⁹ / ₁₆	NO
16CF4	3	8 ¹⁵ / ₁₆	3'-7 ⁵ / ₈	1 ¹ / ₈	7 ¹⁵ / ₁₆	11 ⁹ / ₁₆	YES
16CF5	8	9 ¹ / ₈	3'-7 ¹ / ₂	1 ¹ / ₈	7 ¹⁵ / ₁₆	11 ⁵ / ₈	NO

ABM INFO		SHIP	BILL OF MATERIAL			JOB NO.	DRAWING NO.	REV.	
PAGE	LINE	MARK	QTY	MARK	MATERIAL	LENGTH FT INCHES	REMARKS	WT	PROCUREMENT NOTES
		16CF4	3		CROSSFRAME			621	
8	N	6	a16	WT	5x19.5	7 8 ¹ / ₄	(M270-50HT2) (H2-3)		
8	P	6	b16	L	5x5x ¹ / ₂	5 5	(M270-50HT2) (H2-3)		
8	R	3	c16	PL	¹ / ₂ x12 ¹ / ₂	1 1	(M270-50HT2) (H2-3)		
8	R	3	d16	PL	¹ / ₂ x12 ¹ / ₂	1 1	(M270-50HT2) (H2-3)		
8	S	3	f16	PL	¹ / ₂ x15 ¹ / ₂	1 3	(M270-50HT2) (H2-3)		
8	S	3	g16	PL	¹ / ₂ x15 ¹ / ₂	1 3	(M270-50HT2) (H2-3)		
8	Q	3	h16	PL	¹ / ₂ x12	1 8	(M270-50HT2) (H2-3)		
		16CF5	8		CROSSFRAME			621	
8	N	16	a16	WT	5x19.5	7 8 ¹ / ₄	(M270-50HT2) (H2-3)		
8	P	16	b16	L	5x5x ¹ / ₂	5 5	(M270-50HT2) (H2-3)		
8	R	8	c16	PL	¹ / ₂ x12 ¹ / ₂	1 1	(M270-50HT2) (H2-3)		
8	R	8	d16	PL	¹ / ₂ x12 ¹ / ₂	1 1	(M270-50HT2) (H2-3)		
8	S	8	f16	PL	¹ / ₂ x15 ¹ / ₂	1 3	(M270-50HT2) (H2-3)		
8	S	8	g16	PL	¹ / ₂ x15 ¹ / ₂	1 3	(M270-50HT2) (H2-3)		
8	Q	8	h16	PL	¹ / ₂ x12	1 8	(M270-50HT2) (H2-3)		

ABM INFO		SHIP	BILL OF MATERIAL			JOB NO.	DRAWING NO.	REV.	
PAGE	LINE	MARK	QTY	MARK	MATERIAL	LENGTH FT INCHES	REMARKS	WT	PROCUREMENT NOTES
		16CF1	23		CROSSFRAME			621	
8	N	46	a16	WT	5x19.5	7 8 ¹ / ₄	(M270-50HT2) (H2-3)		
8	P	46	b16	L	5x5x ¹ / ₂	5 5	(M270-50HT2) (H2-3)		
8	R	23	c16	PL	¹ / ₂ x12 ¹ / ₂	1 1	(M270-50HT2) (H2-3)		
8	R	23	d16	PL	¹ / ₂ x12 ¹ / ₂	1 1	(M270-50HT2) (H2-3)		
8	S	23	f16	PL	¹ / ₂ x15 ¹ / ₂	1 3	(M270-50HT2) (H2-3)		
8	S	23	g16	PL	¹ / ₂ x15 ¹ / ₂	1 3	(M270-50HT2) (H2-3)		
8	Q	23	h16	PL	¹ / ₂ x12	1 8	(M270-50HT2) (H2-3)		
		16CF2	2		CROSSFRAME			621	
8	N	4	a16	WT	5x19.5	7 8 ¹ / ₄	(M270-50HT2) (H2-3)		
8	P	4	b16	L	5x5x ¹ / ₂	5 5	(M270-50HT2) (H2-3)		
8	R	2	c16	PL	¹ / ₂ x12 ¹ / ₂	1 1	(M270-50HT2) (H2-3)		
8	R	2	d16	PL	¹ / ₂ x12 ¹ / ₂	1 1	(M270-50HT2) (H2-3)		
8	S	2	f16	PL	¹ / ₂ x15 ¹ / ₂	1 3	(M270-50HT2) (H2-3)		
8	S	2	g16	PL	¹ / ₂ x15 ¹ / ₂	1 3	(M270-50HT2) (H2-3)		
8	Q	2	h16	PL	¹ / ₂ x12	1 8	(M270-50HT2) (H2-3)		
		16CF3	42		CROSSFRAME			621	
8	N	84	a16	WT	5x19.5	7 8 ¹ / ₄	(M270-50HT2) (H2-3)		
8	P	84	b16	L	5x5x ¹ / ₂	5 5	(M270-50HT2) (H2-3)		
8	R	42	c16	PL	¹ / ₂ x12 ¹ / ₂	1 1	(M270-50HT2) (H2-3)		
8	R	42	d16	PL	¹ / ₂ x12 ¹ / ₂	1 1	(M270-50HT2) (H2-3)		
8	S	42	f16	PL	¹ / ₂ x15 ¹ / ₂	1 3	(M270-50HT2) (H2-3)		
8	S	42	g16	PL	¹ / ₂ x15 ¹ / ₂	1 3	(M270-50HT2) (H2-3)		
8	Q	42	h16	PL	¹ / ₂ x12	1 8	(M270-50HT2) (H2-3)		



OUT FOR APPROVAL	9.9.02								
OUT FOR APPROVAL									
ISSUED TO SHOP									
FIELD & OFFICE									

REV.	REMARKS	DATE	DWN	CHK	APP	O.A.	NO.	DIA.	LGT	TYPE	WASHER
	MATERIAL:										
	M270-50W										
	ELECTRODES:										
	HOLES:										
	15 16" Ø (UN)										
	SHOP BOLTS:										

SURFACE PREP. & PAINT:
-STEEL WITHIN 10'-0" ENDS OF GIRDERS SHALL BE PAINTED (SEE GNI)
-ALL OTHER STEEL SHALL BE BLAST CLEANED AND LEFT UNPAINTED.

DESCRIPTION:	CROSSFRAMES	DRAWN BY	DATE
JOB:	VT RTE 9 OVER THE DEERFIELD RIVER	VWJ	08/15
	BRIDGE NO. 25A	CHKD BY	
	SEARSBURG, VERMONT	DO	08/28
	CONTRACTOR: J.A. McDONALD	APPROV BY	
PROJ NO.	PROJ. NHF 010-1(18)	SUPERVISOR	W. J. GHTI
CUSTOMER:	VERMONT AGENCY OF TRANSPORTATION	Q.A.	

CASCO BAY STEEL STRUCTURES, INC.		JOB NO.	DRG. NO.
75 SPRING HILL ROAD SACO, MAINE 04072		166	16
PHONE (207) 282-7360 FAX. (207) 282-1179		REV.	△

RECEIVED
OK'D BY DV OK'D BY _____
SEP 09 2002
RESUBMIT APPROVED ✓
BY RRE DATE 9-27-02

FOR GENERAL NOTES SEE GNI.