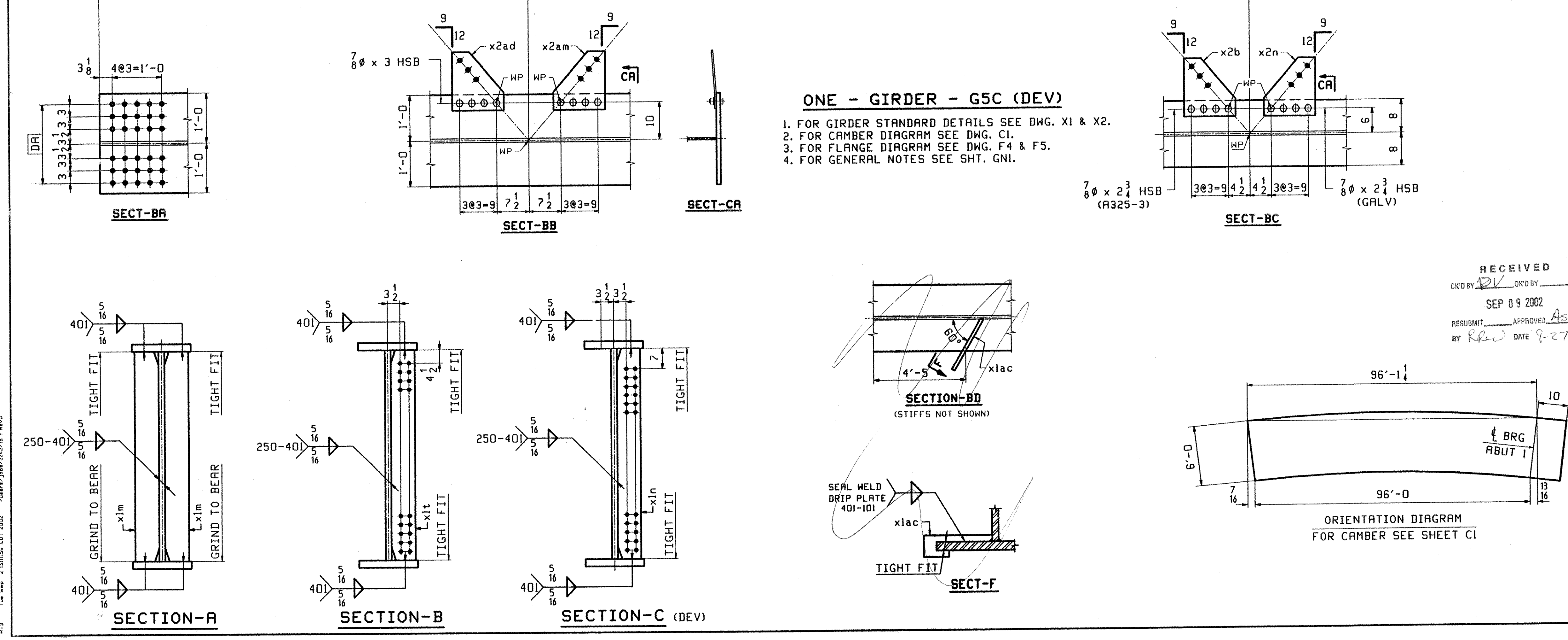


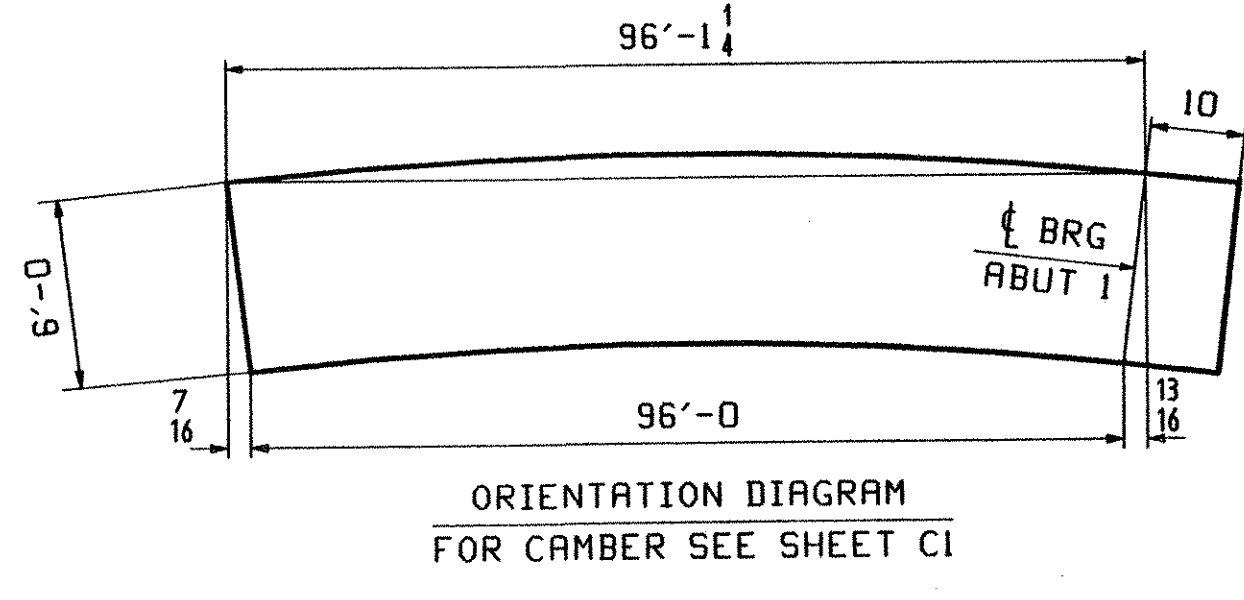
BILL OF MATERIAL					JOB NO.	DRAWING NO.	REV.	
PAGE LINE	MARK	QTY	MARK	MATERIAL	LENGTH FT INCHES	REMARKS	MT	PROCUREMENT NOTES
	G5C	1		GIRDER			27341	
5	S	1	wa	PL 1/2 x 72	56 0 5/16	(M270-50HT2) (H2-3)		
6	J	1	wb	PL 1/2 x 72	40 10 1/4	(M270-50HT2) (H2-3)		
3	A	1	ta	PL 1 x 16	61 3 3/4	(M270-50HT2) (H2-3)		
3	H	1	tb	PL 1 x 16	35 8	(M270-50HT2) (H2-3)		
1	L	1	ba	PL 1 1/4 x 24	75 2	(M270-50HT2) (H2-3)		
4	E	1	bb	PL 1 x 16	21 8	(M270-50HT2) (H2-3)		
7	P	7	xlt	PL 1/2 x 8	6 0	(M270-50HT2) (H2-3)		
7	P	1	xln	PL 1/2 x 8	6 0	(M270-50HT2) (H2-3)		
7	H	2	xlm	PL 1 x 8	6 0	(M270-50HT2) (H2-3)		
7	T	6	x2ad	PL 3/8 x 12	1 2 1/2	BENT		
7	T	6	x2am	PL 3/8 x 12	1 2 1/2	BENT		
7	T	1	x2b	PL 3/8 x 12	1 2 1/2	BENT		
7	T	1	x2n	PL 3/8 x 12	1 2 1/2	BENT		
7	R	1	xlac	PL 1/4 x 3	1 3 1/4			
9	C	4		7/8 HSB	0 2 3/4	(A325-1) GALV		
9	G	4		7/8 HSW		(F436) GALV		
9	H	4		7/8 HSB	0 2 3/4	(A325-3)		
9	N	48		7/8 HSB	0 3	(A325-3)		
9	T	52		7/8 HSW		(F436H)		



**ONE - GIRDER - G5C (DEV)**

1. FOR GIRDER STANDARD DETAILS SEE DWG. X1 & X2.
2. FOR CAMBER DIAGRAM SEE DWG. CI.
3. FOR FLANGE DIAGRAM SEE DWG. F4 & F5.
4. FOR GENERAL NOTES SEE SHT. GNI.

RECEIVED  
 OK'D BY: *[Signature]*  
 SEP 09 2002  
 RESUBMIT APPROVED: *[Signature]*  
 BY: *[Signature]* DATE: 9-27-02



OUT FOR APPROVAL	99.02										
ISSUED TO SHOP											
FIELD & OFFICE											
REV.	REMARKS	DATE	DWN	CHK	APP	Q.A.	NO.	DIA.	LGT	TYPE	WASHER
	MATERIAL: M270-50W										SHOP BOLTS: AS NOTED
	SURFACE PREP. & PAINT: -STEEL WITHIN 10'-0" ENDS OF GIRDERS SHALL BE PAINTED (SEE GNI) -ALL OTHER STEEL SHALL BE BLAST CLEANED AND LEFT UNPAINTED.										
DESCRIPTION: GIRDER - G5C						DRAWN BY		DATE			
JOB: VT RTE 9 OVER THE DEERFIELD RIVER						ATD		08/28			
BRIDGE NO. 25A						CHKD BY					
SEARSBURG, VERMONT						DO		09/03			
CONTRACTOR: J.A. McDONALD						APPROV BY		SUPERVISOR M. J. GAI I			
PROJ NO. PROJ. NHF 010-1(18)						Q.A.					
CUSTOMER: VERMONT AGENCY OF TRANSPORTATION						JOB NO.		DRG. NO.			
CASCO BAY STEEL STRUCTURES, INC.						166		15			
75 SPRING HILL ROAD						SACO, MAINE 04072					
PHONE (207) 282-7360						FAX. (207) 282-1179					

10/10/02 3:15:00 PM COT 2002 /www/psw/202/15.1 Rev 0

665-825A-9515