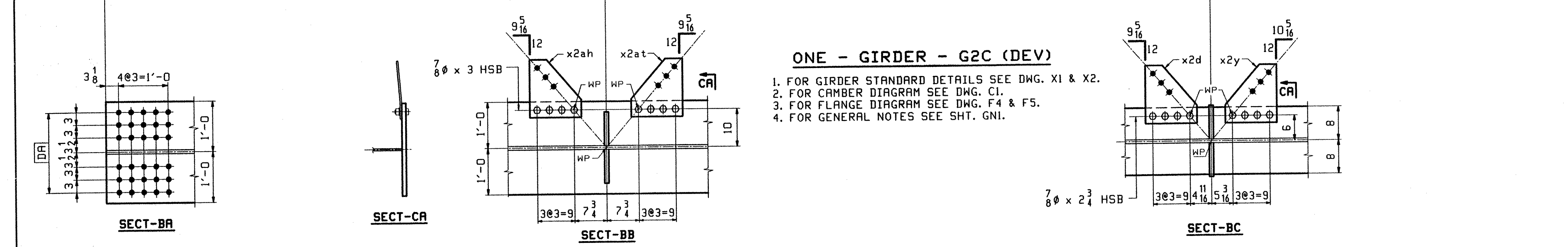
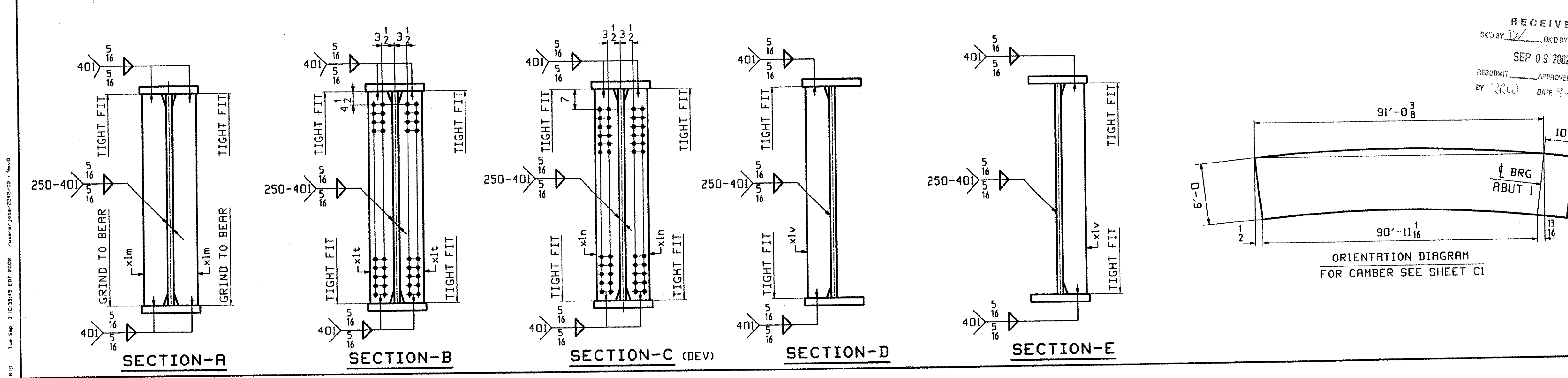


| ABM INFO | | BILL OF MATERIAL | | | | JOB NO. | | DRAWING NO. | | REV. |
|----------|------|------------------|-----|------|-----------------|----------|---------------------|-------------|-------------|-------|
| PAGE | LINE | MARK | QTY | MARK | MATERIAL | LENGTH | REMARKS | MT | PROCUREMENT | NOTES |
| | | | | | | FT | | | | |
| | | | | | | INCHES | | | | |
| | | G2C | 1 | | GIRDER | | | | 26566 | |
| 5 | L | | 1 | wa | PL 1/2 x 7/8 | 59 0 3/8 | (M270-50WT2) (H2-3) | | | |
| 5 | Y | | 1 | wb | PL 1/2 x 7/8 | 32 10 | (M270-50WT2) (H2-3) | | | |
| 3 | L | | 1 | ta | PL 1x16 | 52 2 3/8 | (M270-50WT2) (H2-3) | | | |
| 3 | U | | 1 | tb | PL 1x16 | 39 8 | (M270-50WT2) (H2-3) | | | |
| 1 | N | | 1 | ba | PL 1 1/4 x 24 | 70 1 1/8 | (M270-50WT2) (H2-3) | | | |
| 4 | E | | 1 | bb | PL 1x16 | 21 8 | (M270-50WT2) (H2-3) | | | |
| 7 | P | | 12 | xlt | PL 1/2 x 8 | 6 0 | (M270-50WT2) (H2-3) | | | |
| 7 | P | | 2 | xln | PL 1/2 x 8 | 6 0 | (M270-50WT2) (H2-3) | | | |
| 7 | M | | 2 | xlm | PL 1x8 | 6 0 | (M270-50WT2) (H2-3) | | | |
| 7 | T | | 5 | x2ah | PL 3/8 x 12 1/2 | 1 2 1/2 | BENT | | | |
| 7 | T | | 5 | x2at | PL 3/8 x 12 1/2 | 1 2 1/2 | BENT | | | |
| 7 | T | | 1 | x2d | PL 3/8 x 12 1/2 | 1 2 1/2 | BENT | | | |
| 7 | T | | 1 | x2y | PL 3/8 x 12 1/2 | 1 2 1/2 | BENT | | | |
| 7 | P | | 2 | xlv | PL 1/2 x 8 | 6 0 | (M270-50WT2) (H2-3) | | | |
| 9 | M | | 4 | | 7/8 HSB | 0 2 3/4 | (A325-3) | | | |
| 9 | N | | 40 | | 7/8 HSB | 0 3 | (A325-3) | | | |
| 9 | T | | 44 | | 7/8 HSW | | (F436H) | | | |

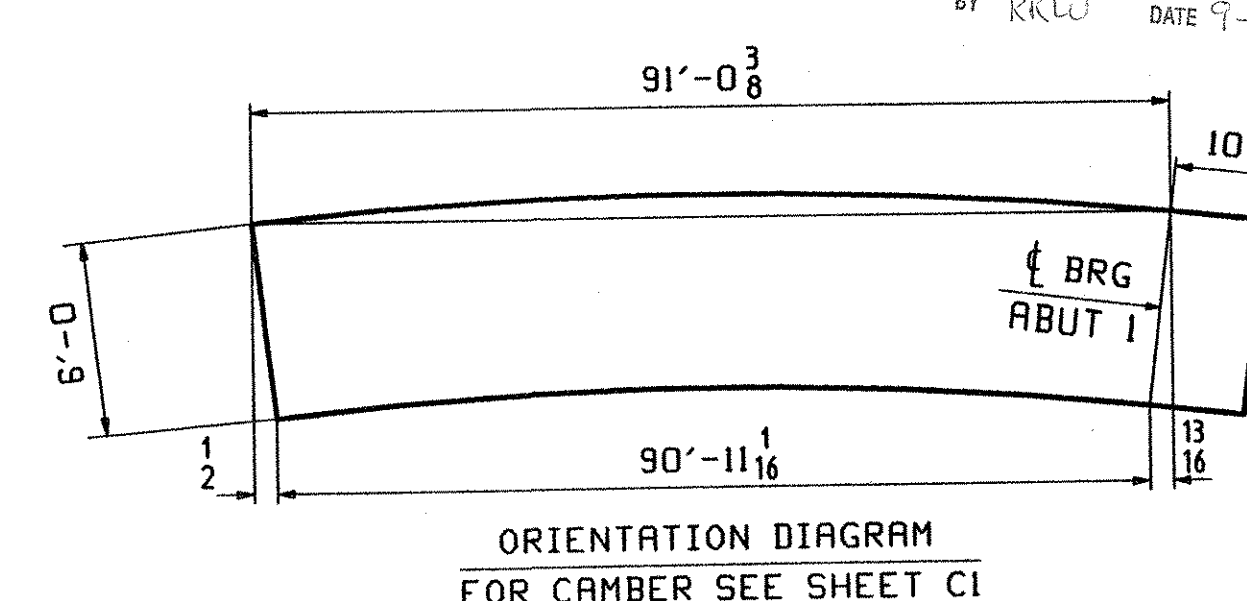


ONE - GIRDER - G2C (DEV)

1. FOR GIRDER STANDARD DETAILS SEE DWG. X1 & X2.
2. FOR CAMBER DIAGRAM SEE DWG. C1.
3. FOR FLANGE DIAGRAM SEE DWG. F4 & F5.
4. FOR GENERAL NOTES SEE SHT. GNI.



RECEIVED
 OK'D BY: [Signature] OK'D BY: [Signature]
 SEP 09 2002
 RESUBMIT: [Signature] APPROVED: [Signature]
 BY: RRW DATE: 9-27-02



| | | | | | | | | | | | | |
|------------------|---|-----------------------------------|-----|-----|-----|------|-----|------|-----|------|------------|-------------|
| OUT FOR APPROVAL | 9-9-02 | | | | | | | | | | | |
| OUT FOR APPROVAL | | | | | | | | | | | | |
| ISSUED TO SHOP | | | | | | | | | | | | |
| FIELD & OFFICE | | | | | | | | | | | | |
| REV. | REMARKS | DATE | DWN | CHK | APP | Q.A. | NO. | DIR. | LGT | TYPE | WASHER | |
| | MATERIAL: | | | | | | | | | | | |
| | ELECTRODES: | | | | | | | | | | | |
| | HOLES: | | | | | | | | | | | |
| | SHOP BOLTS: | | | | | | | | | | | |
| | M270-50W | | | | | | | | | | AS NOTED | |
| | SURFACE PREP. & PAINT: -STEEL WITHIN 10'-0 ENDS OF GIRDERS SHALL BE PAINTED (SEE GNI) -ALL OTHER STEEL SHALL BE BLAST CLEANED AND LEFT UNPAINTED. | | | | | | | | | | | |
| | DESCRIPTION: | GIRDER - G2C | | | | | | | | | DRAWN BY | DATE |
| | JOB: | VT RTE 9 OVER THE DEERFIELD RIVER | | | | | | | | | ATD | 08/22 |
| | | BRIDGE NO. 25A | | | | | | | | | CHKD BY | |
| | | SEARSBURG, VERMONT | | | | | | | | | DO | 09/03 |
| | | CONTRACTOR: J.A. McDONALD | | | | | | | | | APPROV BY | |
| | | | | | | | | | | | SUPERVISOR | W. J. GHTTI |
| | PROJ NO. | PROJ. NHF 010-1(18) | | | | | | | | | Q.A. | |
| | CUSTOMER: | VERMONT AGENCY OF TRANSPORTATION | | | | | | | | | JOB NO. | DRG. NO. |
| | | | | | | | | | | | 166 | 12 |
| | | | | | | | | | | | | REV. |
| | | | | | | | | | | | | |