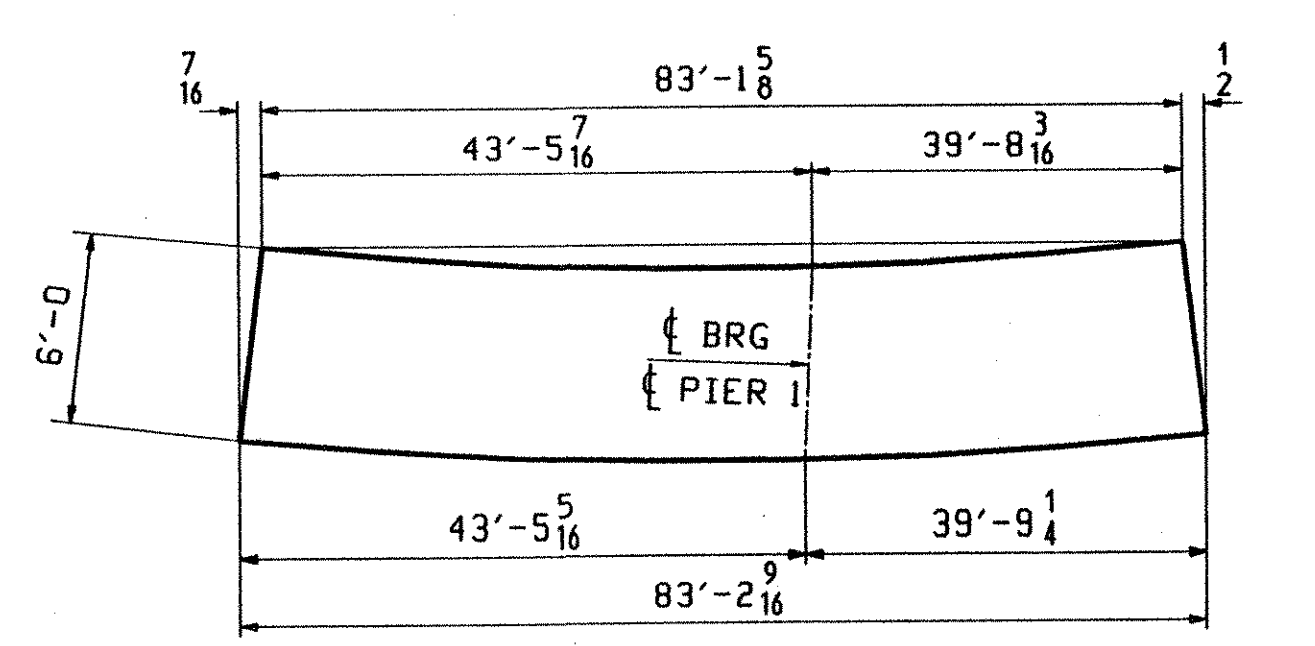
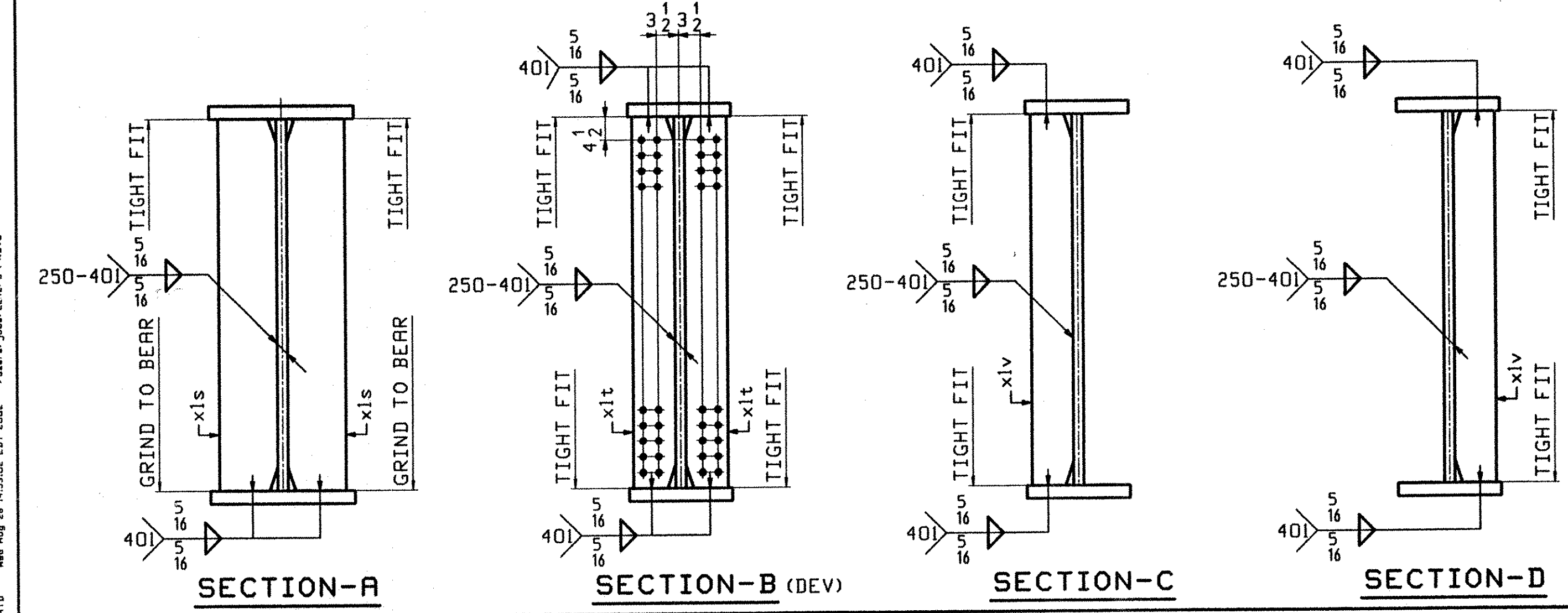
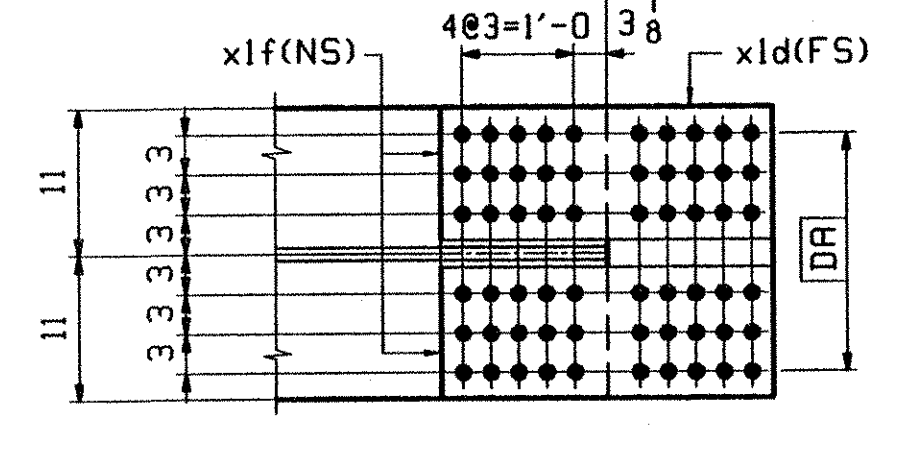


SECT	Ø
BB	7/8" x 2 1/2"
BC	7/8" x 3 3/4"
BD	7/8" x 3"

ONE - GIRDER - G4B (DEV)

1. FOR GIRDER STANDARD DETAILS SEE DWG. XI & X2.
2. FOR CAMBER DIAGRAM SEE DWG. C2.
3. FOR FLANGE DIAGRAM SEE DWG. F3.
4. FOR GENERAL NOTES SEE SHT. GNI.



ABM INFO		BILL OF MATERIAL				JOB NO.	DRAWING NO.	REV.		
PAGE	LINE	MARK	QTY	MARK	MATERIAL	LENGTH FT	INCHES	REMARKS	WT	PROCUREMENT NOTES
		G4B	1		GIRDER				35220	
5	C		1	wa	PL 1/2 x 7 3/8	69	11 7/8	(M270-50HT2) (H2-3)		
6	U		1	wb	PL 2 x 7 1/2	13	2 1/8	(M270-50HT2) (H2-3)		
4	N		1	ta	PL 1 x 16	17	5 7/8	(M270-50HT2) (H2-3)		
1	B		1	tb	PL 2 x 24	47	0	(M270-50HT2) (H2-3)		
4	J		1	tc	PL 1 x 16	18	3 1/8	(M270-50HT2) (H2-3)		
2	L		1	ba	PL 1 x 24	17	5 1/8	(M270-50HT2) (H2-3)		
1	B		1	bb	PL 2 x 24	47	0	(M270-50HT2) (H2-3)		
2	A		1	bc	PL 1 1/2 x 24	18	9 1/4	(M270-50HT2) (H2-3)		
7	B		4	x1a	PL 1/2 x 6 1/2	1	7	(M270-50HT2) (H2-3)		
7	B		2	x1b	PL 1/2 x 16	2	4	(M270-50HT2) (H2-3)		
7	E		4	x1c	PL 5/8 x 7 1/4	2	4	(M270-50HT2) (H2-3)		
7	F		2	x1d	PL 5/8 x 24	2	10	(M270-50HT2) (H2-3)		
7	G		4	x1f	PL 5/8 x 11 1/4	2	10	(M270-50HT2) (H2-3)		
7	P		12	x1t	PL 1/2 x 8	6	0	(M270-50HT2) (H2-3)		
7	N		2	x1s	PL 1 1/4 x 11	6	0	(M270-50HT2) (H2-3)		
7	T		6	x2ab	PL 3/8 x 12 1/2	1	2 1/2	BENT		
7	T		6	x2ak	PL 3/8 x 12 1/2	1	2 1/2	BENT		
7	P		10	x1v	PL 2 x 8	6	0	(M270-50HT2) (H2-3)		
9	H		8		7/8" HSB	0	2 3/4	(A325-3)		
9	N		8		7/8" HSB	0	3	(A325-3)		
9	R		32		7/8" HSB	0	3 1/4	(A325-3)		
9	T		48		7/8" HSW			(F436H)		

OUT FOR APPROVAL	9/9/02											
OUT FOR APPROVAL												
ISSUED TO SHOP												
FIELD & OFFICE												
REV.	REMARKS	DATE	DWN	CHK	APP	Q.A.	NO.	DIA.	LGT	TYPE	WASH	R
MATERIAL:	ELECTRODES:	HOLES:	SHOP BOLTS:									
M270-50W		15/16" Ø (UN)	AS NOTED									
SURFACE PREP. & PAINT: -STEEL WITHIN 10'-0" ENDS OF GIRDERS SHALL BE PAINTED (SEE GNI) -ALL OTHER STEEL SHALL BE BLAST CLEANED AND LEFT UNPAINTED.												
DESCRIPTION:	GIRDER - G4B								DRAWN BY	DATE		
JOB:	VT RTE 9 OVER THE DEERFIELD RIVER								ATD	08/26		
	BRIDGE NO. 25A								CHKD BY			
	SEARSBURG, VERMONT								DO	08/27		
	CONTRACTOR: J.A. McDONALD								APPROV BY			
PROJ NO.	PROJ. NHF DIO-1(18)								SUPERVISOR	M. J. GATTI		
CUSTOMER:	VERMONT AGENCY OF TRANSPORTATION								Q.A.			
CASCO BAY STEEL STRUCTURES, INC.										JOB NO.	DRG. NO.	
75 SPRING HILL ROAD SACO, MAINE 04072										166	9	
PHONE (207) 282-7360 FAX. (207) 282-1179										REV.	△	