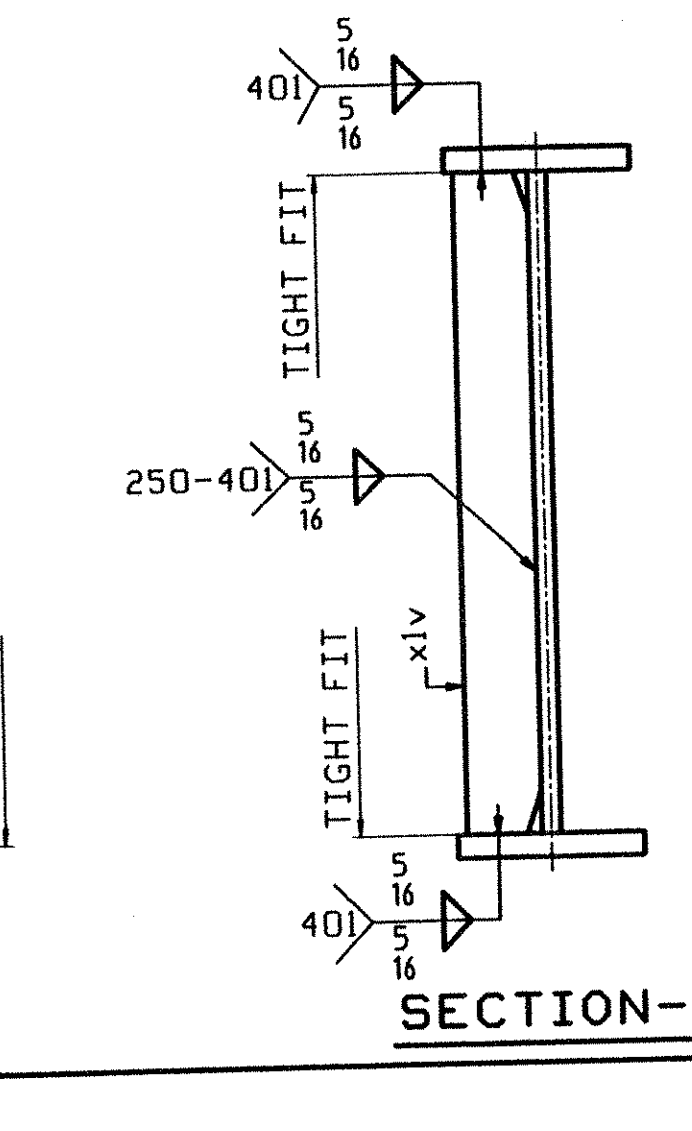
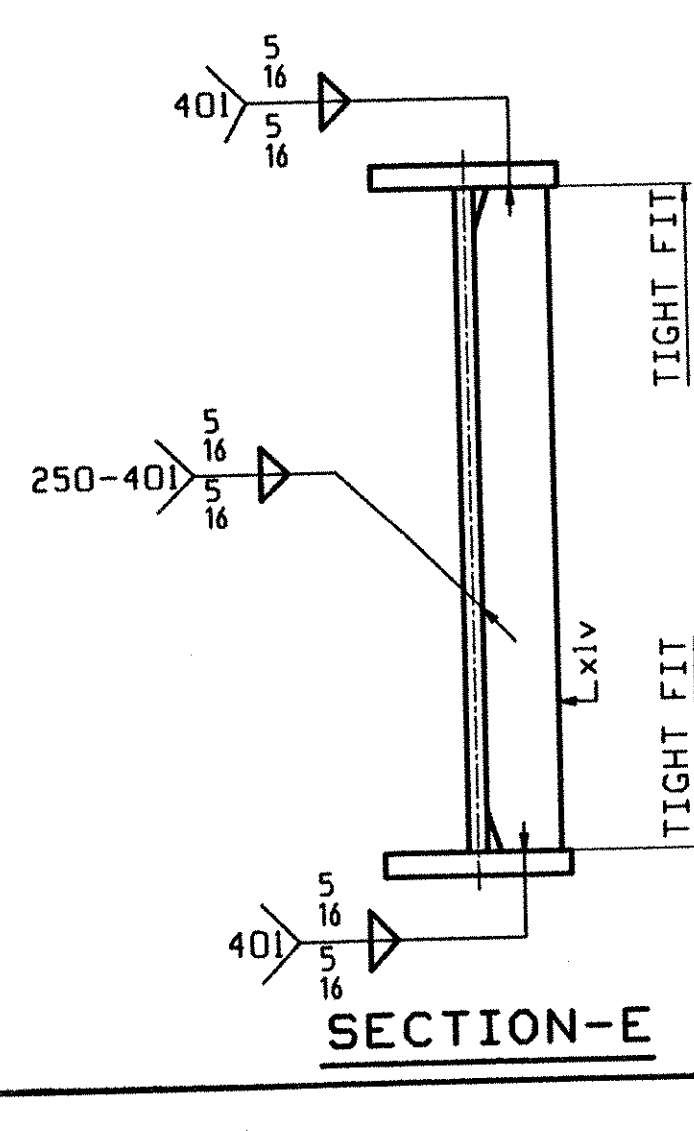
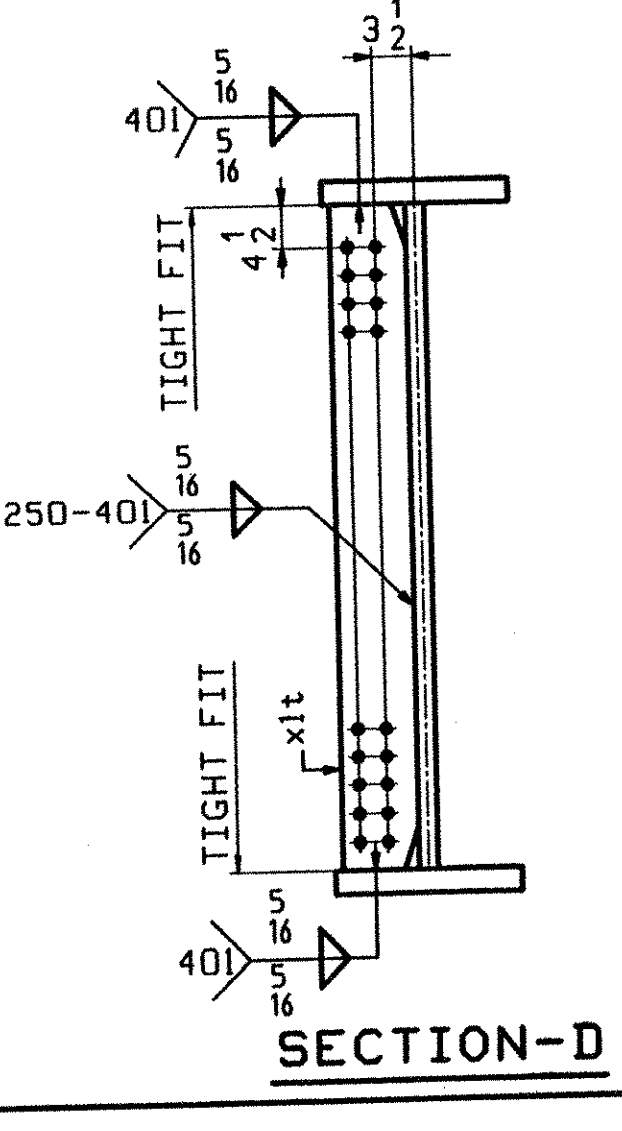
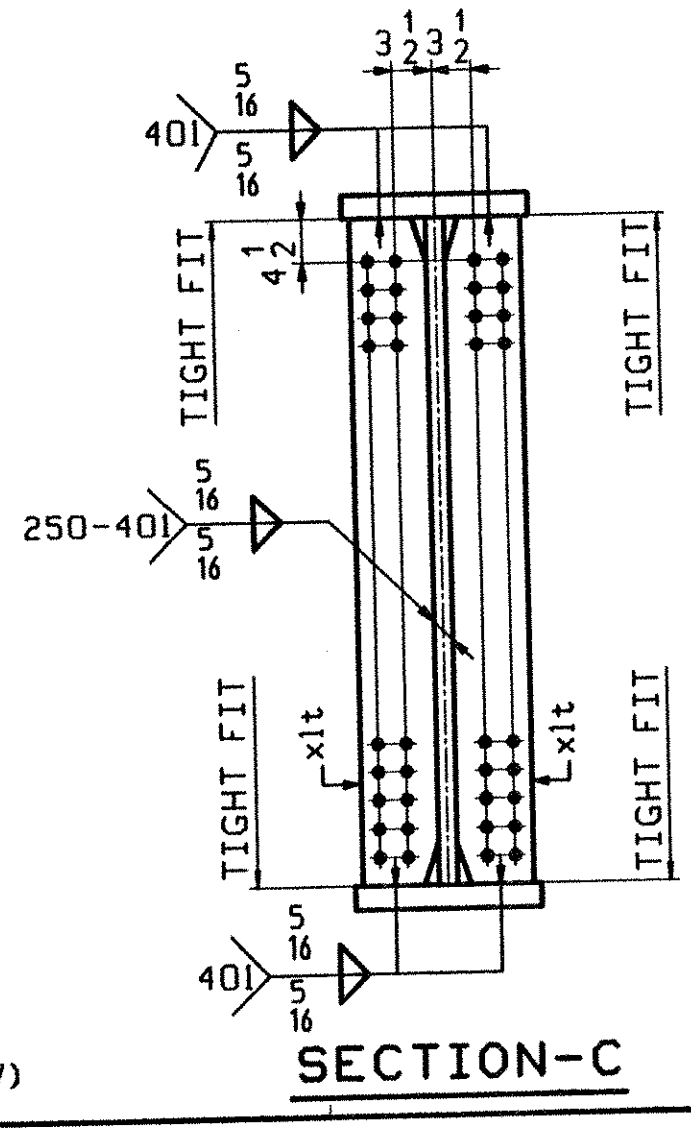
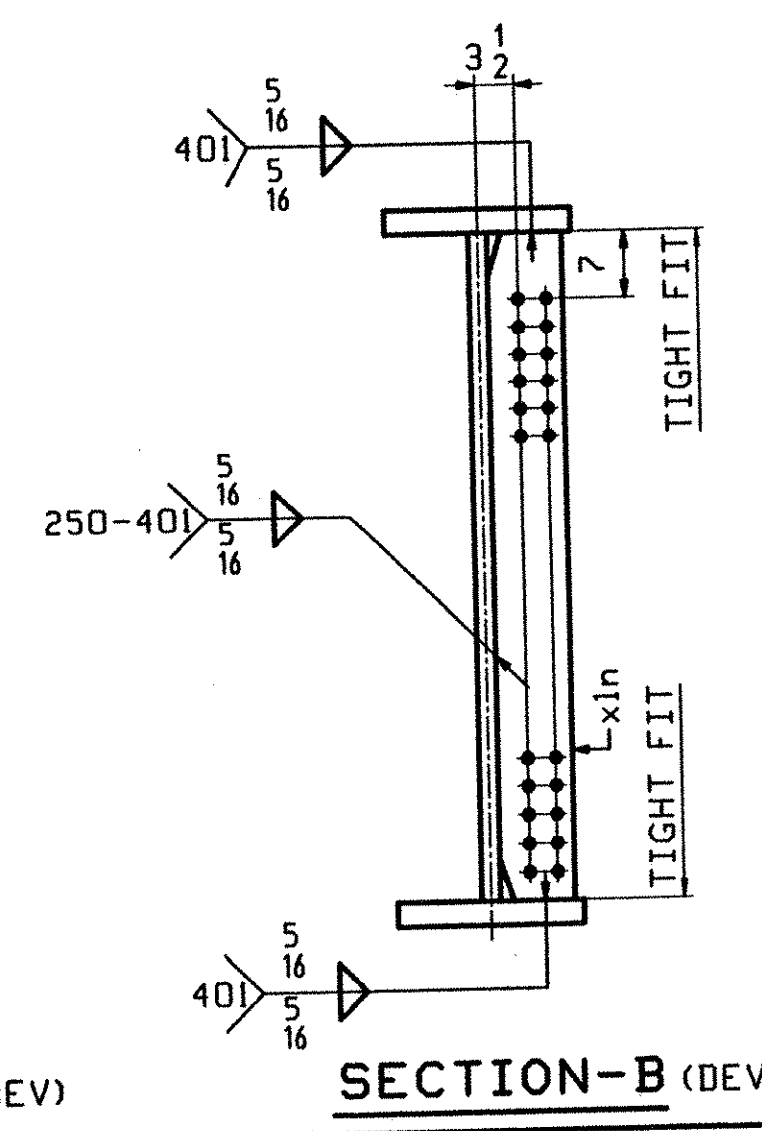
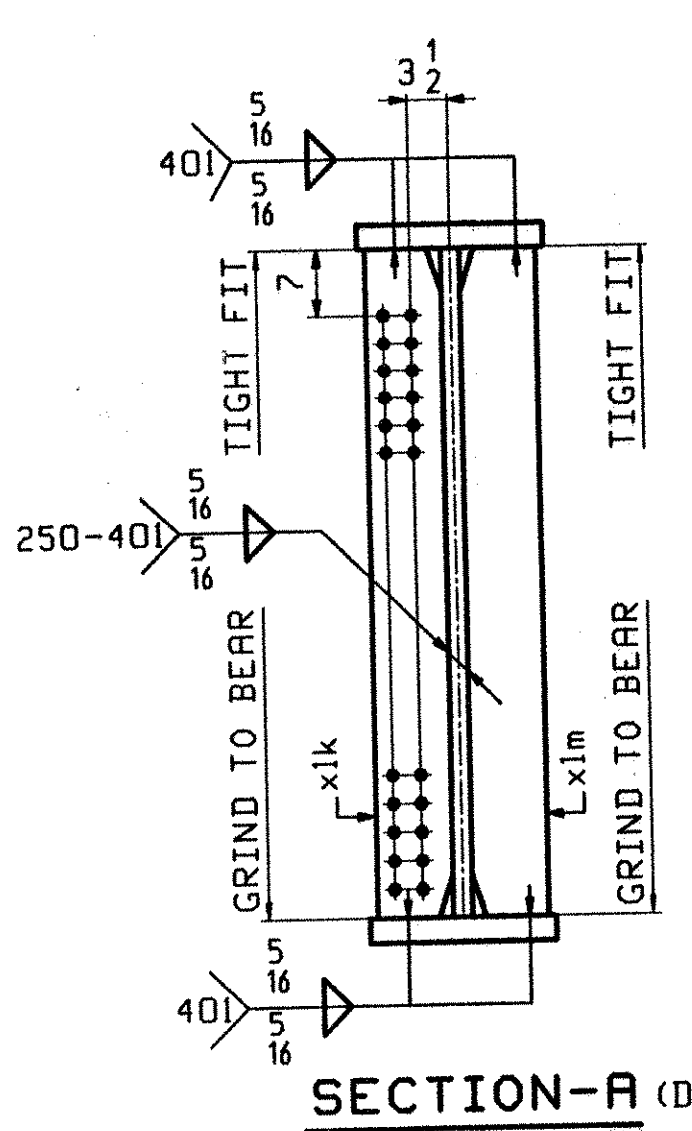
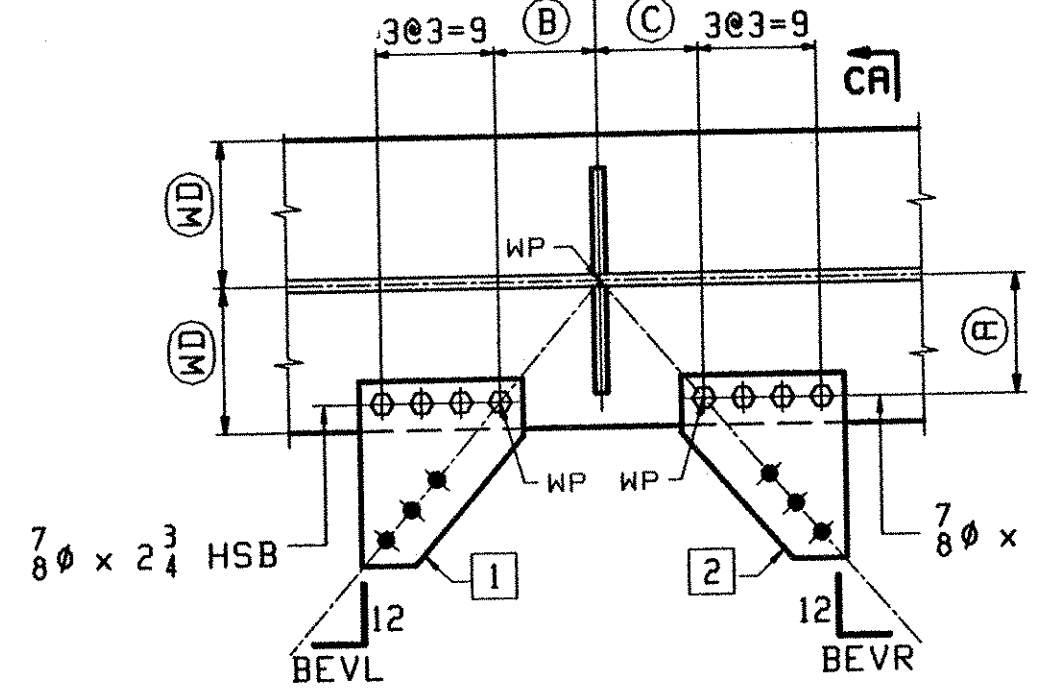
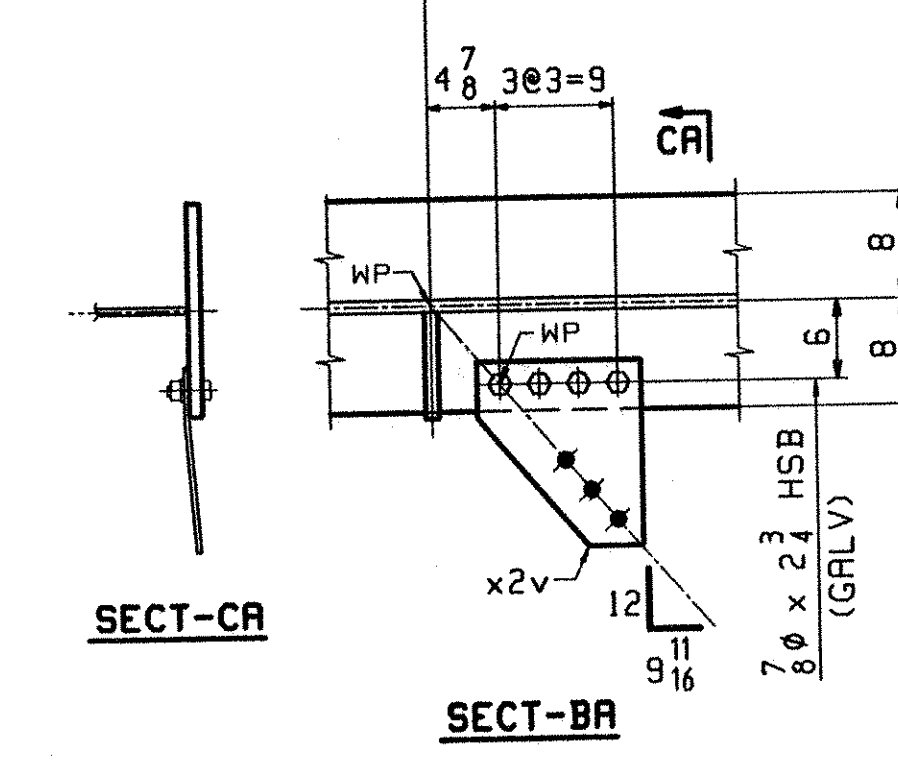
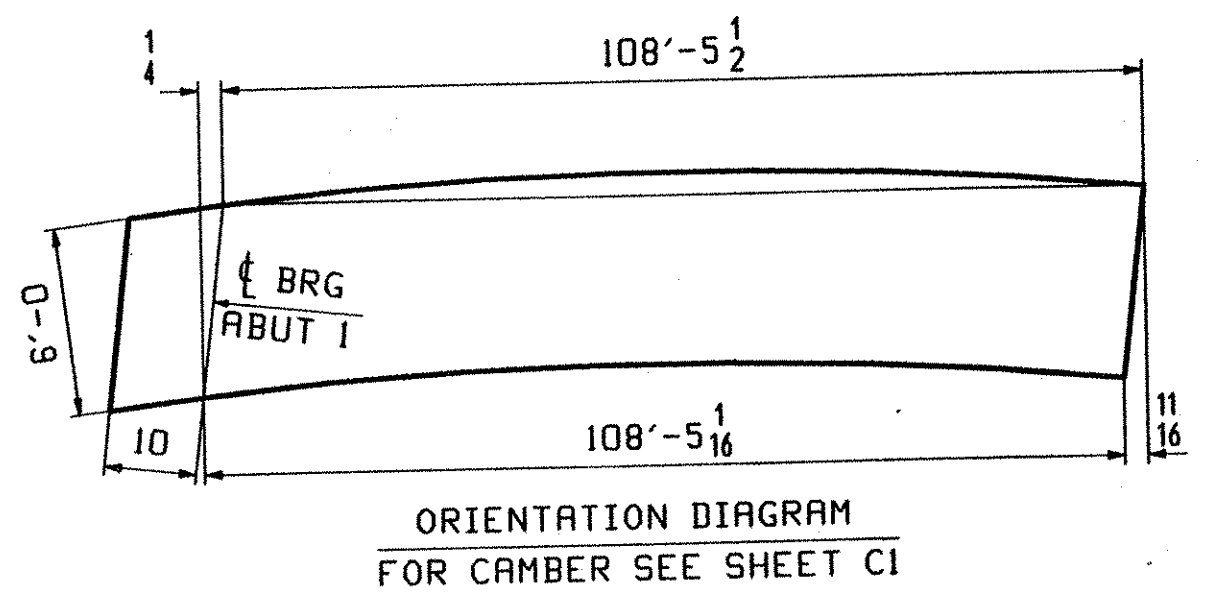


SECT	WD	(A)	(B)	(C)	BEVL	BEVR	1	2
BB	8	6	4 7/8	4 7/8	9 11/16	8 13/16	x2g	x2m
BC	1'-0	10	7 3/8	7 3/8	8 13/16	8 13/16	x2ab	x2ak

ONE - GIRDER - G4R (DEV)

1. FOR GIRDER STANDARD DETAILS SEE DWG. X1 & X2.
2. FOR CAMBER DIAGRAM SEE DWG. C1.
3. FOR FLANGE DIAGRAM SEE DWG. F1 & F2.
4. FOR GENERAL NOTES SEE SHT. GNI.

BILL OF MATERIAL						JOB NO.	DRAWING NO.	REV.
PAGE	LINE	MARK	QTY	MARK	MATERIAL	REMARKS	HT	PROCUREMENT NOTES
		G4R	1		GIRDER		30062	
5	J	1	wa	PL	1/2 x 7 3/4	79	4 3/4	(M270-50HT2) (H2-3)
6	E	1	wb	PL	1/2 x 7 1/4	29	11 3/4	(M270-50HT2) (H2-3)
3	N	1	ta	PL	1 x 16	49	8 1/4	(M270-50HT2) (H2-3)
3	E	1	tb	PL	1 x 16	59	7 1/4	(M270-50HT2) (H2-3)
4	C	1	ba	PL	1 x 16	23	8	(M270-50HT2) (H2-3)
2	C	1	bb	PL	1 x 24	70	0 1/4	(M270-50HT2) (H2-3)
2	S	1	bc	PL	1 x 24	15	7	(M270-50HT2) (H2-3)
7	M	1	xik	PL	1 x 8	6	0	(M270-50HT2) (H2-3)
7	M	1	xim	PL	1 x 8	6	0	(M270-50HT2) (H2-3)
7	P	15	xit	PL	1/2 x 8	6	0	(M270-50HT2) (H2-3)
7	T	1	x2v	PL	3/8 x 12 1/2	1	2 1/2	BENT
7	T	1	x2g	PL	3/8 x 12 1/2	1	2 1/2	BENT
7	T	1	x2m	PL	3/8 x 12 1/2	1	2 1/2	BENT
7	T	6	x2ab	PL	3/8 x 12 1/2	1	2 1/2	BENT
7	T	6	x2ak	PL	3/8 x 12 1/2	1	2 1/2	BENT
7	P	1	xin	PL	1/2 x 8	6	0	(M270-50HT2) (H2-3)
7	P	3	xiv	PL	1/2 x 8	6	0	(M270-50HT2) (H2-3)
9	C	4		7/8" HSB		0	2 1/4	(A325-1) GALV
9	G	4		7/8" HSW				(F436) GALV
9	M	56		7/8" HSB		0	2 1/4	(A325-3)
9	T	56		7/8" HSW				(F436M)



OUT FOR APPROVAL	9/9/02										
OUT FOR APPROVAL											
ISSUED TO SHOP											
FIELD & OFFICE											
REV.	REMARKS	DATE	DWN	CHK	APP	Q.A.	NO.	DIA.	LGT	TYPE	WASHER
	MATERIAL:										
	M270-50W										
	ELECTRODES:										
	Holes:										
	15-16" (UN)										
	SHOP BOLTS:										
	AS NOTED										
SURFACE PREP. & PAINT:											
-STEEL WITHIN 10'-0 ENDS OF GIRDERS SHALL BE PAINTED (SEE GNI)											
-ALL OTHER STEEL SHALL BE BLAST CLEANED AND LEFT UNPAINTED.											
DESCRIPTION: GIRDER - G4R											
JOB: VT RTE 9 OVER THE DEERFIELD RIVER											
BRIDGE NO. 25A											
SEARSBURG, VERMONT											
CONTRACTOR: J.A. McDONALD											
PROJ NO. PROJ. NHF 010-1(18)											
CUSTOMER: VERMONT AGENCY OF TRANSPORTATION											
RECEIVED											
SEP 0 2002											
DATE 9-27-02											
DRAWN BY: ATD											
DATE: 08/22											
CHKD BY: DO											
DATE: 08/27											
APPROV BY: SUPERVISOR W. J. GHI											
DATE: Q.A.											
JOB NO. DRG. NO.											
166 4											
75 SPRING HILL ROAD SACO, MAINE 04072											
PHONE (207) 282-7360 FAX. (207) 282-1179											
CASCO BAY STEEL STRUCTURES, INC.											

REV. 08/20 11/16/07 03/2002

654-PR25A-55-4