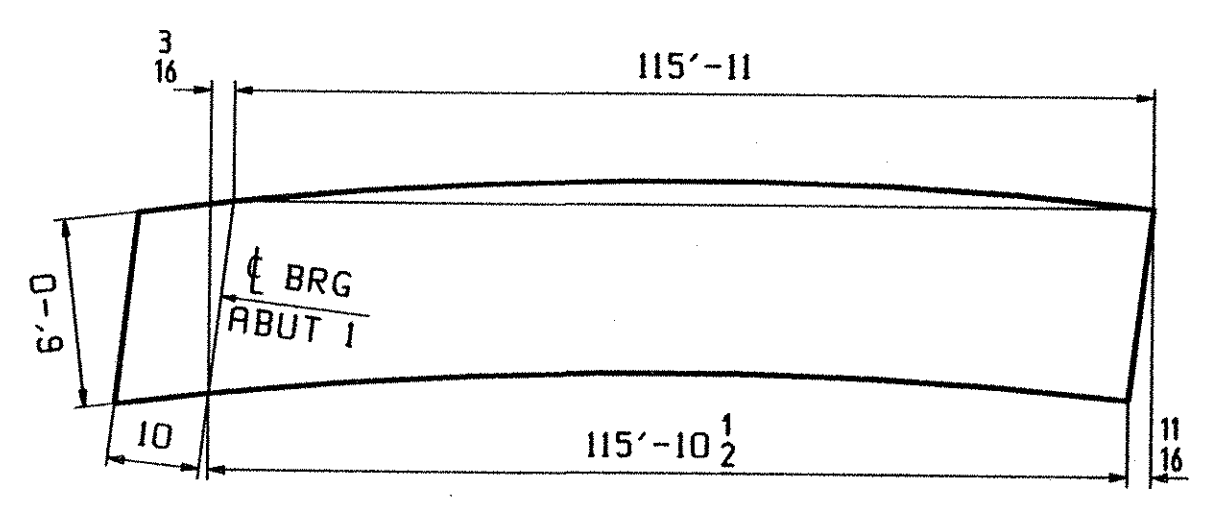
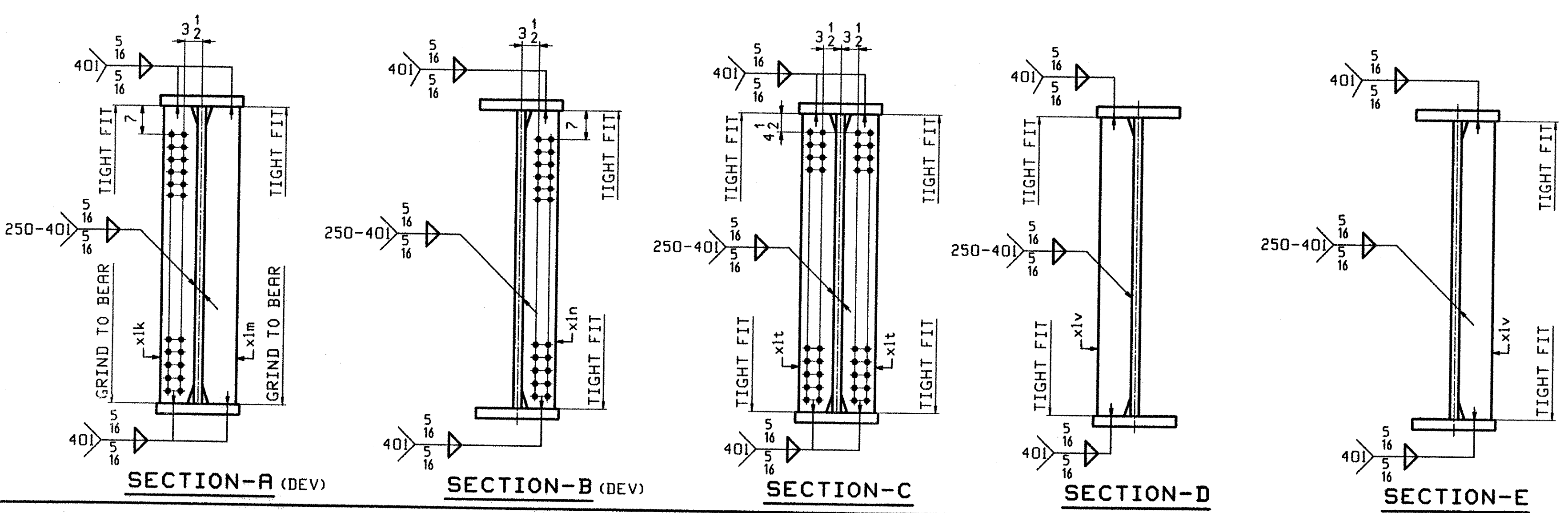
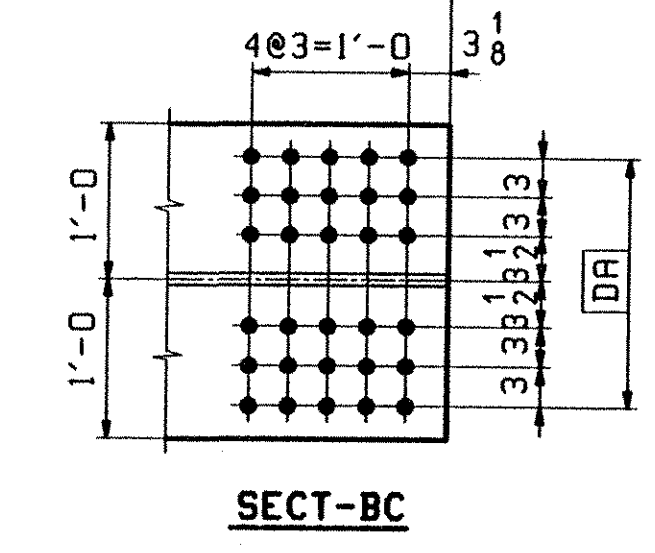


ONE - GIRDER - G3A (DEV)

1. FOR GIRDER STANDARD DETAILS SEE DWG. X1 & X2.
2. FOR CAMBER DIAGRAM SEE DWG. C1.
3. FOR FLANGE DIAGRAM SEE DWG. F1 & F2.
4. FOR GENERAL NOTES SEE SHT. GNI.



JOB NO.		DRAWING NO.		REV.			
3		3					
ABW INFO	SHIP	BILL OF MATERIAL			REMARKS	MT	PROCUREMENT NOTES
PAGE LINE	MARK	QTY	MARK	MATERIAL	LENGTH FT INCHES		
	G3A	1		GIRDER		31680	
5	J	1	wa	PL 1/2 x 73 3/4	79 4 1/2		(M270-50HT2) (H2-3)
5	U	1	wb	PL 1/2 x 72 1/4	37 5 1/8		(M270-50HT2) (H2-3)
3	N	1	ta	PL 1x16	49 8		(M270-50HT2) (H2-3)
2	G	1	tb	PL 1x16	67 1		(M270-50HT2) (H2-3)
4	C	1	ba	PL 1x16	23 8		(M270-50HT2) (H2-3)
2	C	1	bb	PL 1x24	70 0 1/2		(M270-50HT2) (H2-3)
2	E	1	bc	PL 1x24	23 0 1/2		(M270-50HT2) (H2-3)
7	M	1	xik	PL 1x8	6 0		(M270-50HT2) (H2-3)
7	M	1	xim	PL 1x8	6 0		(M270-50HT2) (H2-3)
7	P	16	xlt	PL 1/2 x 8	6 0		(M270-50HT2) (H2-3)
7	P	1	xln	PL 2 x 8	6 0		(M270-50HT2) (H2-3)
7	P	2	xlv	PL 2 x 8	6 0		(M270-50HT2) (H2-3)

OUT FOR APPROVAL	<i>J.P.</i>								
OUT FOR APPROVAL									
ISSUED TO SHOP									
FIELD & OFFICE									

REV.	REMARKS	DATE	DWN	CHK	APP	Q.A.	NO.	DIA.	LGT	TYPE	WASHER
	MATERIAL: M270-50W										
	ELECTRODES:										
	HOLES: 15/16" φ (UN)										
	SHOP BOLTS: AS NOTED										
SURFACE PREP. & PAINT: -STEEL WITHIN 10'-0" ENDS OF GIRDERS SHALL BE PAINTED (SEE GNI) -ALL OTHER STEEL SHALL BE BLAST CLEANED AND LEFT UNPAINTED.											
DESCRIPTION: GIRDER - G3A		DRAWN BY: ATD		DATE: 08/22							
JOB: VT RTE 9 OVER THE DEERFIELD RIVER		BRIDGE NO. 25A		SARSBURG, VERMONT		CONTRACTOR: J.A. McDONALD		SUPERVISOR: M. J. GATTI			
PROJECT NO. PROJ. NHF DIO-1(18)		CUSTOMER: VERMONT AGENCY OF TRANSPORTATION		JOB NO. 653-BC25A-563		DRG. NO. 166		REV. 3			
75 SPRING HILL ROAD		SACO, MAINE 04072		PHONE (207) 282-7360		FAX (207) 282-1179					

RECEIVED
 OK'D BY: *DV*
 SEP 09 2002
 BY: *RRW* DATE: 9-27-02