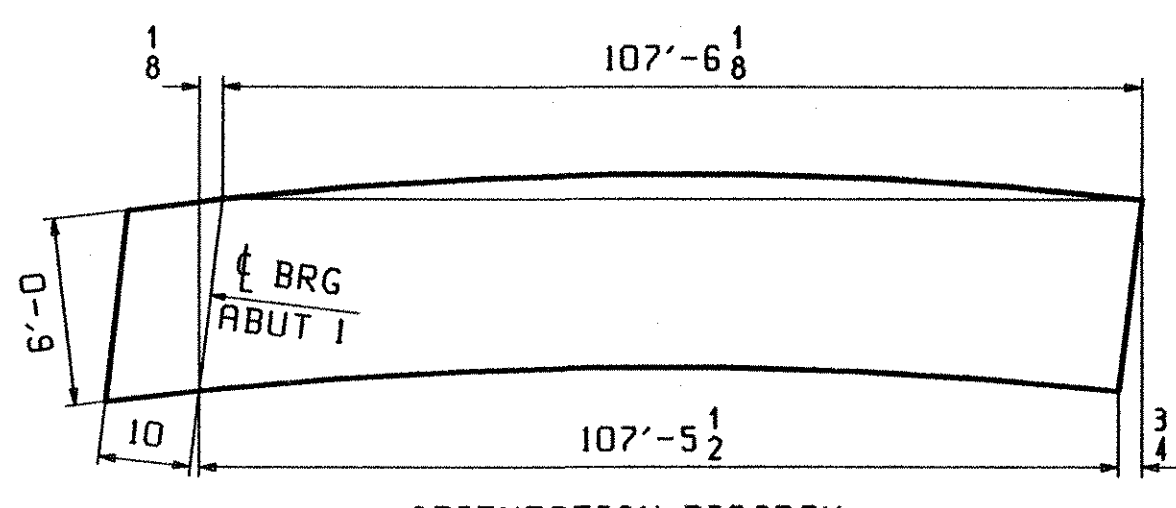
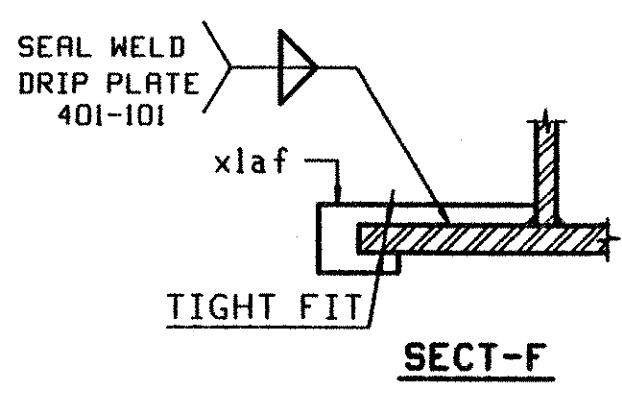


SECT	(WD)	(A)	(B)	(C)	(1)	(2)	(D)
BB	8	6	4 9/16	4 9/16	x2c	x2s	7/8" x 2 3/4"
BC	1'-0"	10	7 5/8	7 5/8	x2af	x2an	7/8" x 3 1/4"

ONE - GIRDER - G1A (DEV)

1. FOR GIRDER STANDARD DETAILS SEE DWG. XI & X2.
2. FOR CAMBER DIAGRAM SEE DWG. CI.
3. FOR FLANGE DIAGRAM SEE DWG. F1 & F2.
4. FOR GENERAL NOTES SEE SHT. GNI.



PAGE	LINE	MARK	QTY	MARK	MATERIAL	LENGTH		REMARKS	JOB NO.	DRAWING NO.	REV.
						FT	INCHES				
		G1A	1		GIRDER						32735
5	A		1	wa	PL 1/2 x 7/4	79	10 3/16	(M270-50HT2) (H2-3)			
6	G		1	ub	PL 1/2 x 7/2	28	6 1/4	(M270-50HT2) (H2-3)			
3	N		1	ta	PL 1x16	49	8 1/4	(M270-50HT2) (H2-3)			
3	G		1	tb	PL 1x16	58	8 1/4	(M270-50HT2) (H2-3)			
4	C		1	ba	PL 1x16	23	8	(M270-50HT2) (H2-3)			
1	C		1	bb	PL 1 1/2 x 24	70	0 1/4	(M270-50HT2) (H2-3)			
1	G		1	bc	PL 1 1/2 x 24	14	7 1/4	(M270-50HT2) (H2-3)			
7	M		1	xlk	PL 1x8	6	0	(M270-50HT2) (H2-3)			
7	M		1	xlm	PL 1x8	6	0	(M270-50HT2) (H2-3)			
7	P		7	xlt	PL 1/2 x 8	6	0	(M270-50HT2) (H2-3)			
7	T		2	x2s	PL 3/8 x 12 1/2	1	2 1/2	BENT			
7	T		1	x2c	PL 3/8 x 12 1/2	1	2 1/2	BENT			
7	T		6	x2af	PL 3/8 x 12 1/2	1	2 1/2	BENT			
7	T		6	x2an	PL 3/8 x 12 1/2	1	2 1/2	BENT			
7	P		5	xlv	PL 1/2 x 8	6	0	(M270-50HT2) (H2-3)			
7	R		1	xlaf	PL 1/2 x 3	0	11				
9	C		4		7/8" HSB	0	2 1/2	(A325-1) GALV			
9	G		4		7/8" HSM			(F436) GALV			
9	M		8		7/8" HSB	0	2 1/2	(A325-3)			
9	P		48		7/8" HSB	0	3 1/2	(A325-3)			
9	T		56		7/8" HSM			(F436H)			

OUT FOR APPROVAL	7902										
ISSUED TO SHOP											
FIELD & OFFICE											

REV.	REMARKS	DATE	DNW	CHK	APP	Q.A.	NO.	DIA.	LGT	TYPE	WASHER
	MATERIAL: M270-50W										
	ELECTRODES:										
	HOLES:										
	SHOP BOLTS:										

SURFACE PREP & PAINT:
 -STEEL WITHIN 10'-0" ENDS OF GIRDERS SHALL BE PAINTED (SEE GNI)
 -ALL OTHER STEEL SHALL BE BLAST CLEANED AND LEFT UNPAINTED.

DESCRIPTION:	GIRDER - G1A	DRAWN BY	ATD	DATE	08/21
JOB:	VT RTE 9 OVER THE DEERFIELD RIVER	CHKD BY	DO	DATE	08/26
	BRIDGE NO. 25A	APPROV BY			
	SEARSBURG, VERMONT	SUPERVISOR	W. J. GATII		
CONTRACTOR:	J.A. McDONALD	Q.A.			
PROJ. NO.	PROJ. NHF 010-1(18)				
CUSTOMER:	VERMONT AGENCY OF TRANSPORTATION				
	651-BROSA-SS1	JOB NO.	166	DRG. NO.	1
CASCO BAY STEEL STRUCTURES, INC.					
75 SPRING HILL ROAD SACO, MAINE 04072					
PHONE (207) 282-7360 FAX. (207) 282-1179					

RECEIVED
 SEP 09 2002
 APPROVED
 DATE 9-27-02