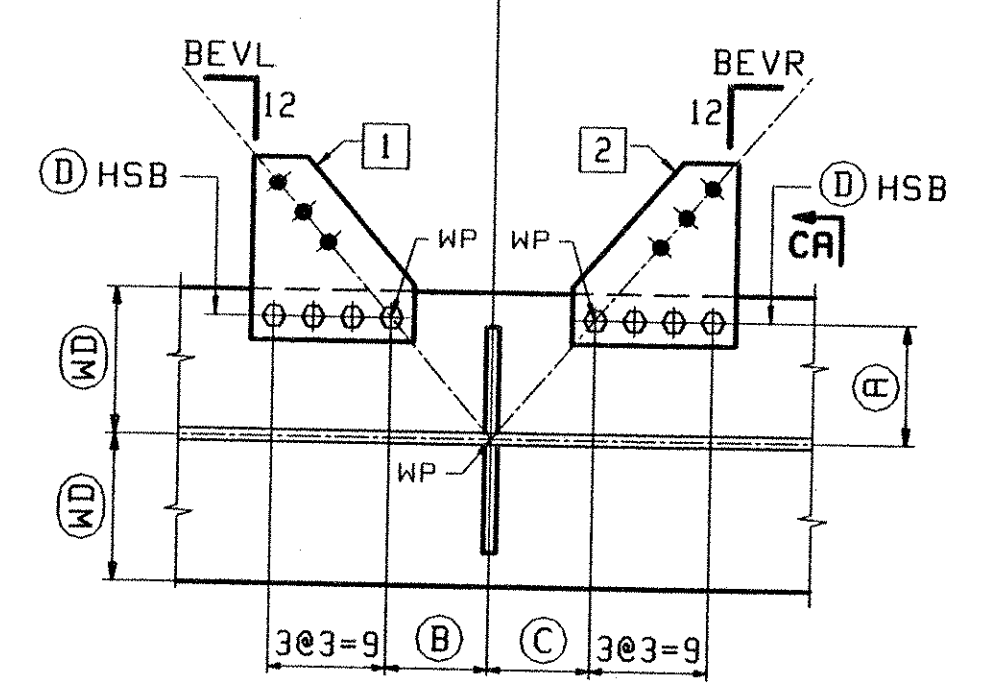
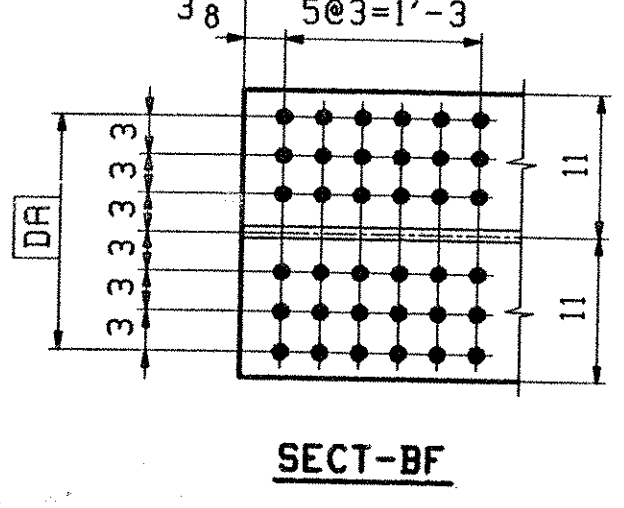
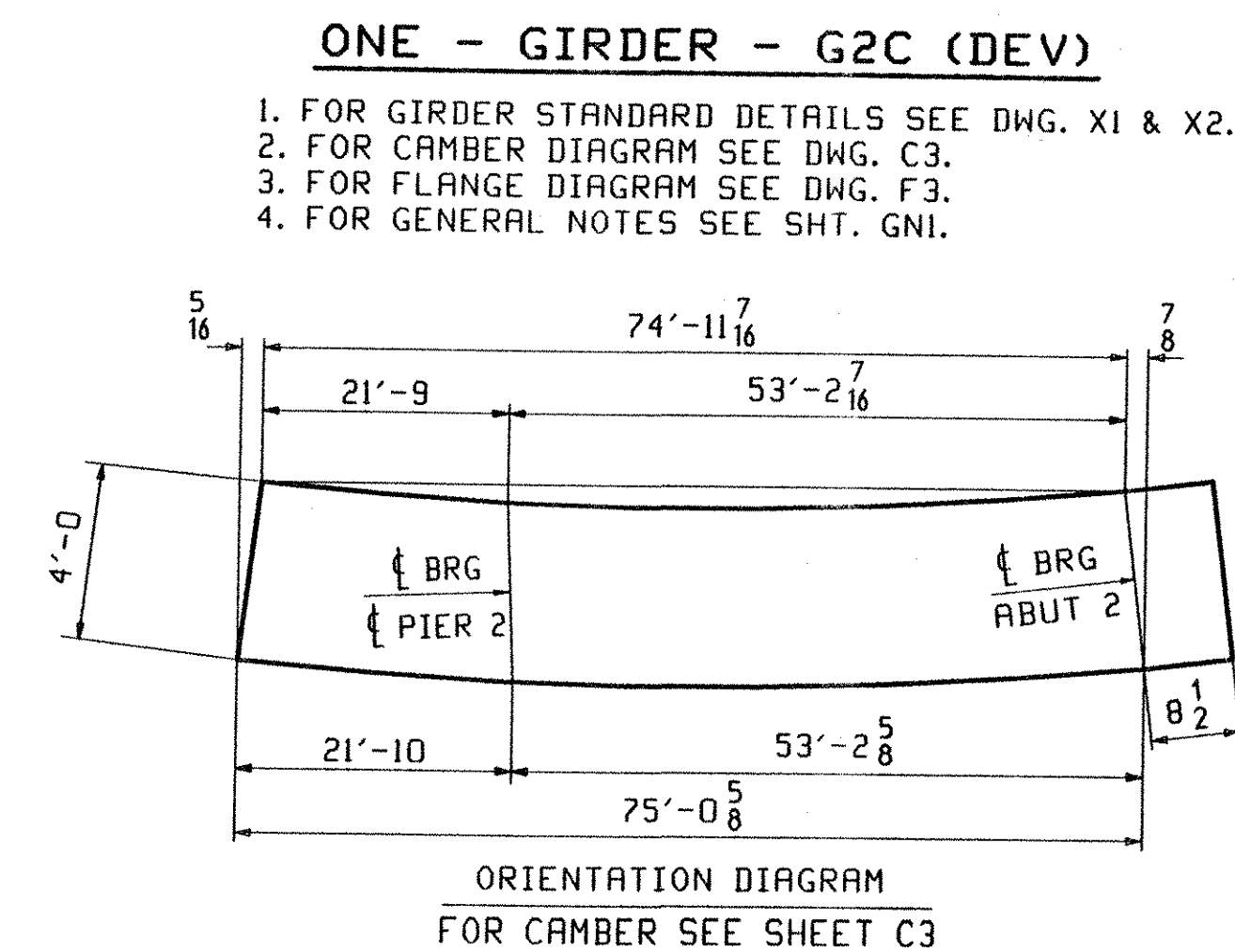
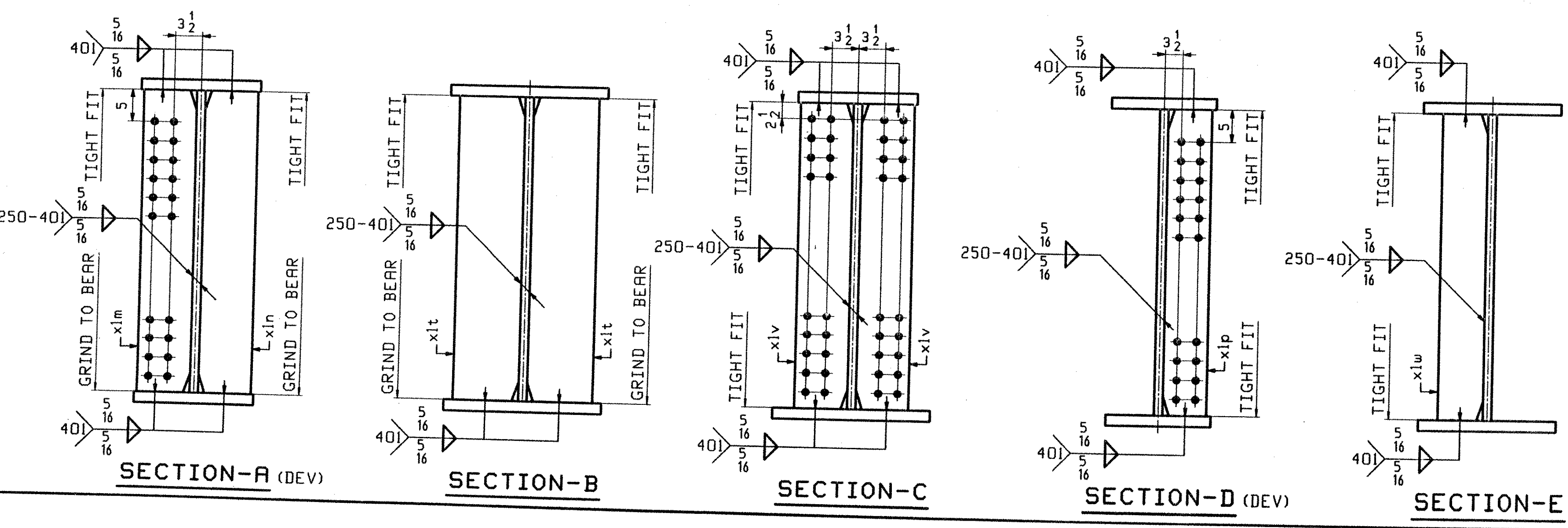
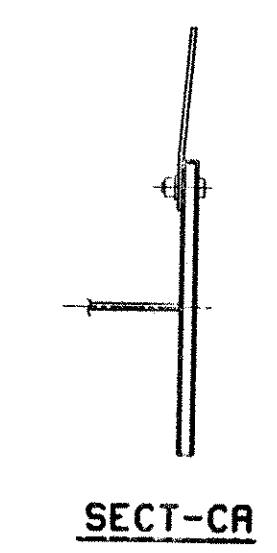
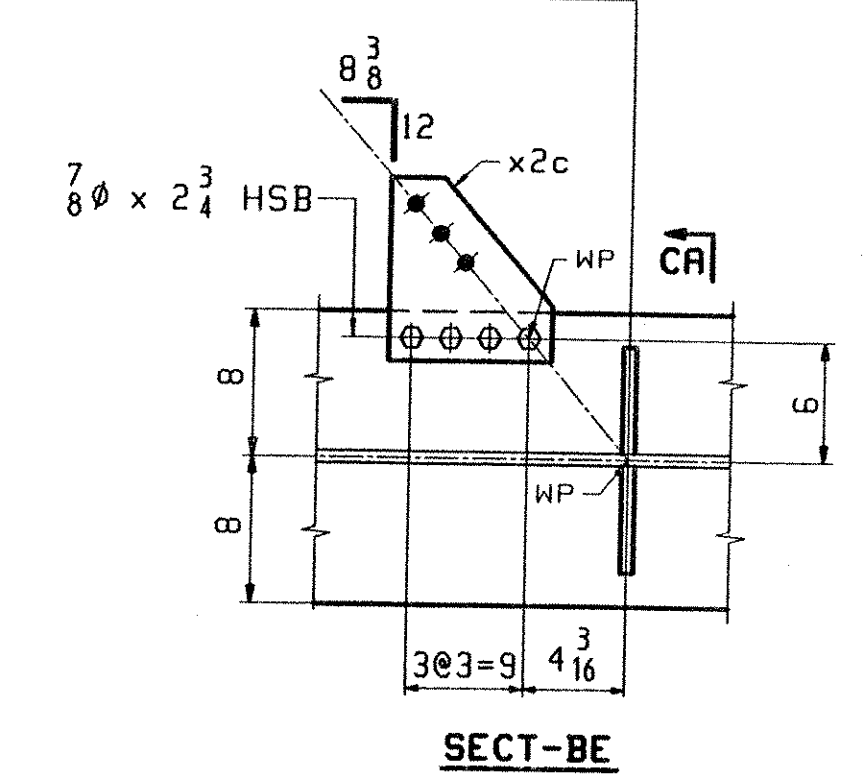


JOB NO.		DRAWING NO.		REV.					
12		12							
PAGE	LINE	MARK	QTY	MARK	MATERIAL	LENGTH FT INCHES	REMARKS	WT	PROCUREMENT NOTES
		G2C	1		GIRDER			18452	
5	G	1	wa		PL 1/2 x 49 7/8	75 9/8	(M270-50WT2) (H2-3)		
4	H	1	ta		PL 3/8 x 16	7 3/8	(M270-50WT2) (H2-3)		
2	N	1	tb		PL 1/4 x 22	26 6 1/4	(M270-50WT2) (H2-3)		
3	G	1	tc		PL 1 x 16	41 10	(M270-50WT2) (H2-3)		
1	Q	1	ba		PL 1/2 x 22	7 3/8	(M270-50WT2) (H2-3)		
2	N	1	bb		PL 1/4 x 22	26 6 1/4	(M270-50WT2) (H2-3)		
3	G	1	bc		PL 1 x 16	41 11 1/8	(M270-50WT2) (H2-3)		
7	R	10	xlv		PL 1/2 x 8	4 0	(M270-50WT2) (H2-3)		
7	P	2	xlt		PL 1 x 10	4 0	(M270-50WT2) (H2-3)		
7	N	1	xlm		PL 1 x 8	4 0	(M270-50WT2) (H2-3)		
7	N	1	xln		PL 1 x 8	4 0	(M270-50WT2) (H2-3)		
7	V	1	x2bg		PL 3/8 x 12 1/2	1 2 1/2	BENT		
7	V	2	x2ck		PL 3/8 x 12 1/2	1 2 1/2	BENT		
7	V	1	x2bh		PL 3/8 x 12 1/2	1 2 1/2	BENT		
7	V	1	x2m		PL 3/8 x 12 1/2	1 2 1/2	BENT		
7	V	2	x2ad		PL 3/8 x 12 1/2	1 2 1/2	BENT		
7	V	2	x2c		PL 3/8 x 12 1/2	1 2 1/2	BENT		
7	R	1	xlw		PL 1/2 x 8	4 0	(M270-50WT2) (H2-3)		
7	R	1	xlp		PL 1/2 x 8	4 0	(M270-50WT2) (H2-3)		
9	M	20			7/8 HSB	0 2 3/4	(A325-3)		
9	N	16			7/8 HSB	0 3	(A325-3)		
9	R	36			7/8 HSB	0 3	(F436W)		



SECT	(WD)	(A)	(B)	(C)	BEVL	BEVR	1	2	(D)
BA	11	9	6 3/4	6 13/16	9	9 1/16	x2bg	x2ck	7/8 x 3
BB	11	9	6 13/16	6 13/16	9 1/16	9 1/16	x2bh	x2ck	7/8 x 3
BC	8	6	4 1/2	4 3/16	9 1/16	8 3/8	x2m	x2ad	7/8 x 2 3/4
BD	8	6	4 3/16	4 3/16	8 3/8	8 3/8	x2c	x2ad	7/8 x 2 3/4



RECEIVED
 OK'D BY: [Signature]
 AUG 26 2002
 RESUBMIT APPROVED [Signature]
 BY: RLW DATE 9-7-02

OUT FOR APPROVAL	8/23/02								
OUT FOR APPROVAL									
ISSUED TO SHOP									
FIELD & OFFICE									

REV.	REMARKS	DATE	DNW	CHK	APP	Q.A.	NO.	DIA.	LGT	TYPE	WASHER
MATERIAL:	M270-50W										
ELECTRODES:											
HOLES:	15/16" (UN)										
SHOP BOLTS:	AS NOTED										

DESCRIPTION: GIRDER - G2C		DRAWN BY: ATD	DATE: 08/15
JOB: VT RTE 9 OVER THE DEERFIELD RIVER		CHKD BY: DO	DATE: 08/16
BRIDGE NO. 25		APPROV BY: SUPERVISOR	H. J. GATTI
SEARSBURG, VERMONT		CONTRACTOR: J.A. McDONALD	
PROJECT NO. PROJ. NHF 010-1(18)		CUSTOMER: VERMONT AGENCY OF TRANSPORTATION	
CASCO BAY STEEL STRUCTURES, INC.		JOB NO. 165	DRG. NO. 12
75 SPRING HILL ROAD SACO, MAINE 04072		PHONE (207) 282-7360	FAX (207) 282-1179
		REV. 1	

10/01/02 Rev. 01 10/24/02 EST 0002 10/24/02 EST 0002 10/24/02 EST 0002