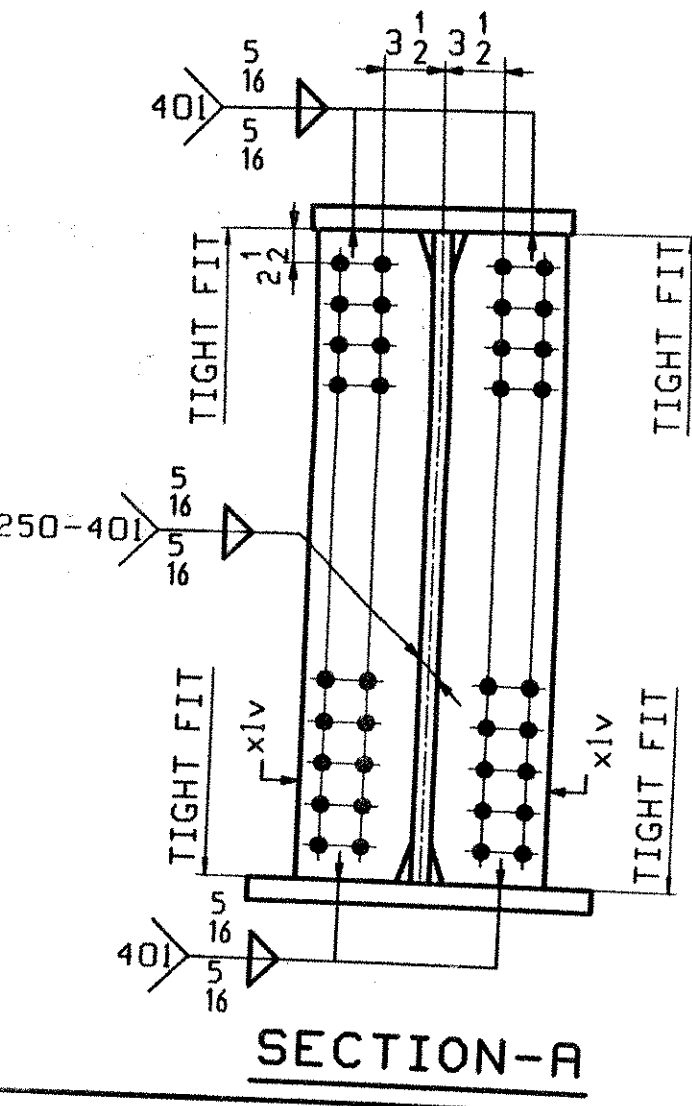
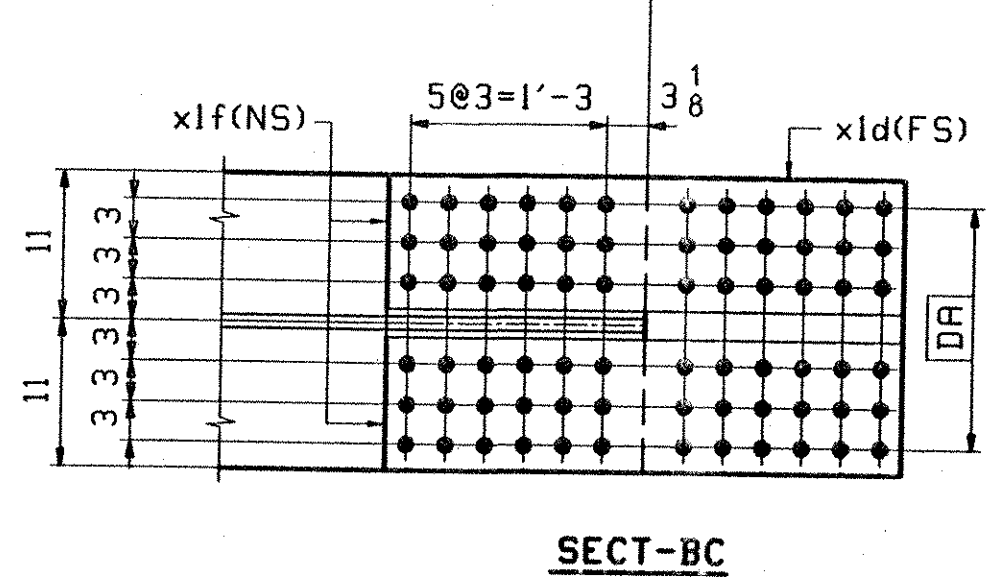
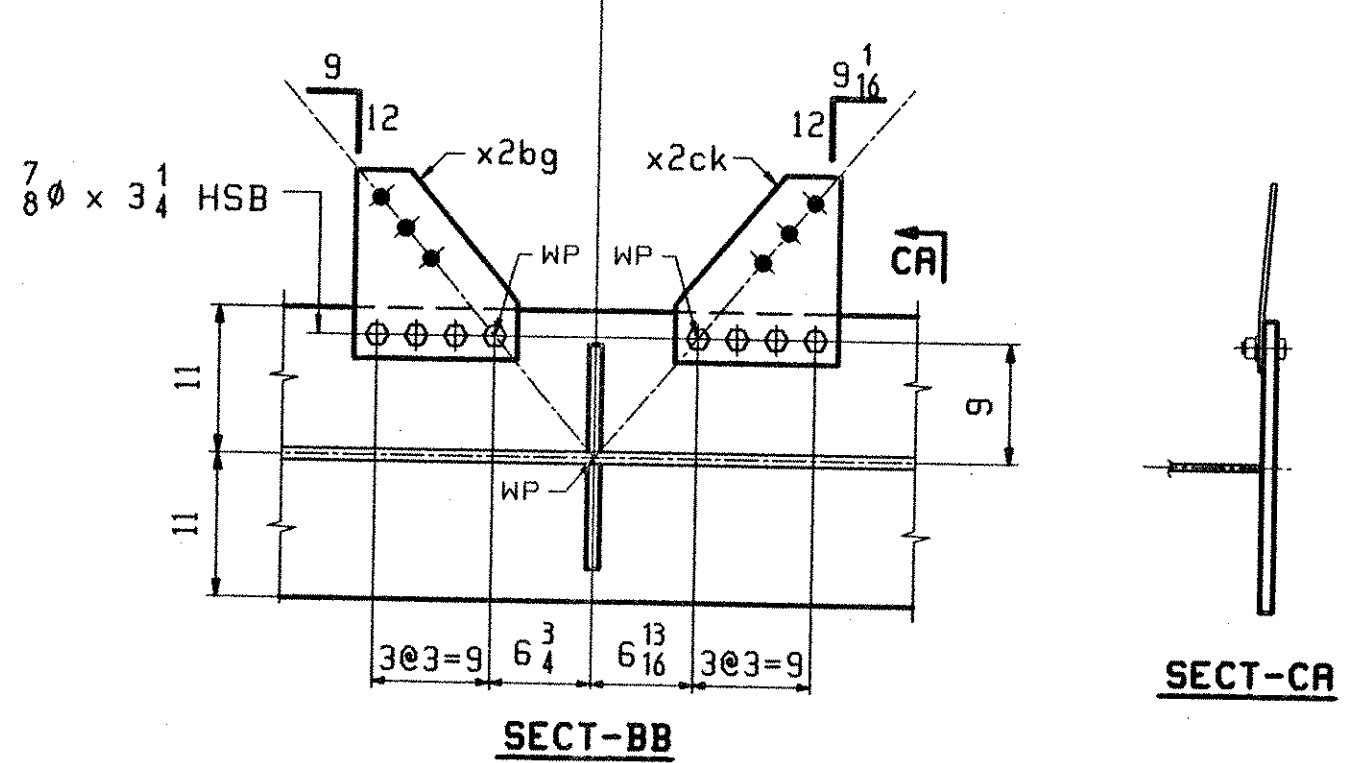
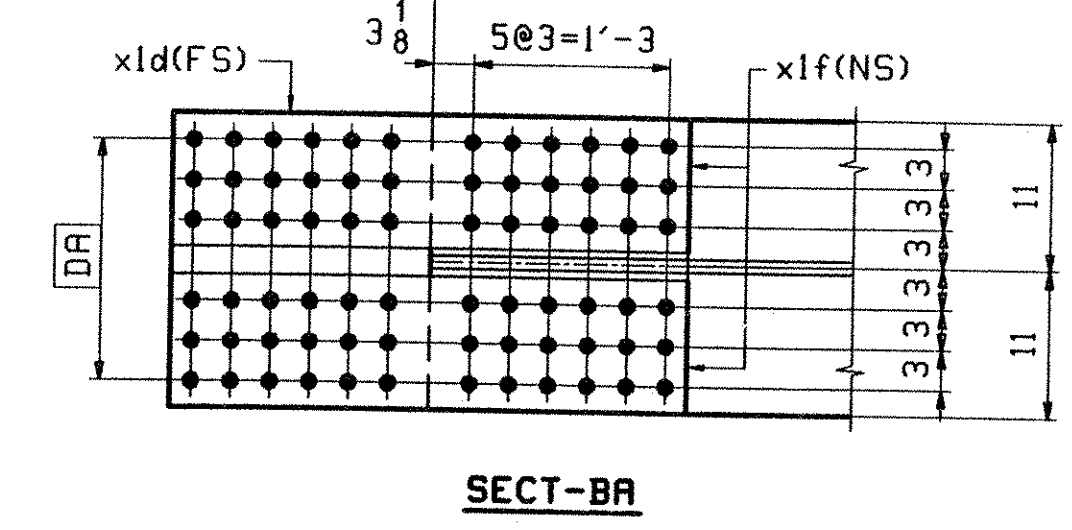
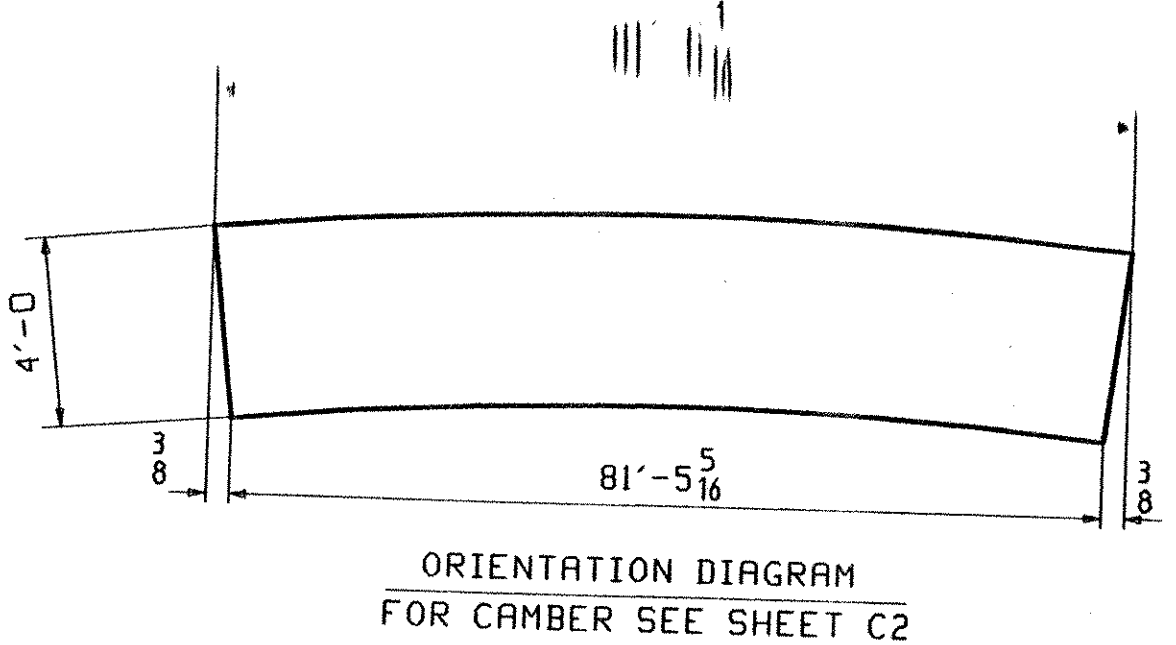


ABM INFO		BILL OF MATERIAL				JOB NO.	DRAWING NO.	REV.	
PAGE	LINE	MARK	QTY	MARK	MATERIAL	LENGTH FT INCHES	REMARKS	WT	PROCUREMENT NOTES
		G2B	1		GIRDER			22469	
4	Y		1	wa	PL 1/2 x 50 5/16	81 6 1/8	(M270-50HT2) (H2-3)		
3	Y		1	ta	PL 7/8 x 16	38 11 15/16	(M270-50HT2) (H2-3)		
3	U		1	tb	PL 7/8 x 16	42 6 1/8	(M270-50HT2) (H2-3)		
1	E		1	ba	PL 1/2 x 22	38 11 15/16	(M270-50HT2) (H2-3)		
1	A		1	bb	PL 1/2 x 22	42 6 1/8	(M270-50HT2) (H2-3)		
7	C		2	x1g	PL 1/2 x 43	1 7/8	(M270-50HT2) (H2-3)		
7	F		2	x1b	PL 1/2 x 16	2 3/4	(M270-50HT2) (H2-3)		
7	G		4	x1c	PL 3/4 x 7 1/4	2 3/4	(M270-50HT2) (H2-3)		
7	H		2	x1d	PL 3/4 x 22	3 3/4	(M270-50HT2) (H2-3)		
7	J		4	x1f	PL 7/8 x 10 1/4	3 3/4	(M270-50HT2) (H2-3)		
7	B		2	x1a	PL 1/2 x 43	2 1/8	(M270-50HT2) (H2-3)		
7	R		12	x1v	PL 1/2 x 8	4 0	(M270-50HT2) (H2-3)		
7	V		6	x2bg	PL 3/8 x 12 1/2	1 2 1/2	BENT		
7	V		6	x2ck	PL 3/8 x 12 1/2	1 2 1/2	BENT		
9	P		48		7/8 HSB	0 3 1/4	(A325-3)		
9	R		48		7/8 HSH		(F436H)		



**ONE - GIRDER - G2B (DEV)**

1. FOR GIRDER STANDARD DETAILS SEE DWG. X1 & X2.
2. FOR CAMBER DIAGRAM SEE DWG. C2.
3. FOR FLANGE DIAGRAM SEE DWG. F2.
4. FOR GENERAL NOTES SEE SHT. GNI.



RECEIVED  
 CKD BY: *DL* OKD BY: \_\_\_\_\_  
 AUG 26 2002  
 RESUBMIT \_\_\_\_\_ APPROVED \_\_\_\_\_  
 BY: *RJW* DATE 9-17-02

OUT FOR APPROVAL	8/23/02										
OUT FOR APPROVAL											
ISSUED TO SHOP											
FIELD & OFFICE											
REV.	REMARKS	DATE	DWN	CHK	APP	O.A.	NO.	DIA.	LGT	TYPE	WASHER
MATERIAL:	M270-50W	ELECTRODES:		HOLES:	15" φ (UN)	SHOP BOLTS:	AS NOTED				
SURFACE PREP. & PAINT: -STEEL WITHIN 10'-0 ENDS OF GIRDERS SHALL BE PAINTED (SEE GNI) UNPAINTED.											
DESCRIPTION:	GIRDER - G2B					DRAWN BY:	DATE:				
JOB:	VT RTE 9 OVER THE DEERFIELD RIVER					ATD	08/15				
	BRIDGE NO. 25					CHKD BY:					
	SEARSBURG, VERMONT					DO	08/16				
	CONTRACTOR: J.A. McDONALD					APPROV BY:					
PROJ NO.	PROJ. NHF 010-1(18)					SUPERVISOR	M. J. GATTI				
CUSTOMER:	VERMONT AGENCY OF TRANSPORTATION					Q.A.					
<b>CASCO BAY STEEL STRUCTURES, INC.</b>						JOB NO.	165	DRG. NO.	7		
75 SPRING HILL ROAD						SACO, MAINE 04072					
PHONE (207) 282-7360						FAX. (207) 282-1179					
						REV.	△				

ATD: 1st Rev. 08/16/02 EST 5002 /www.johnston.com