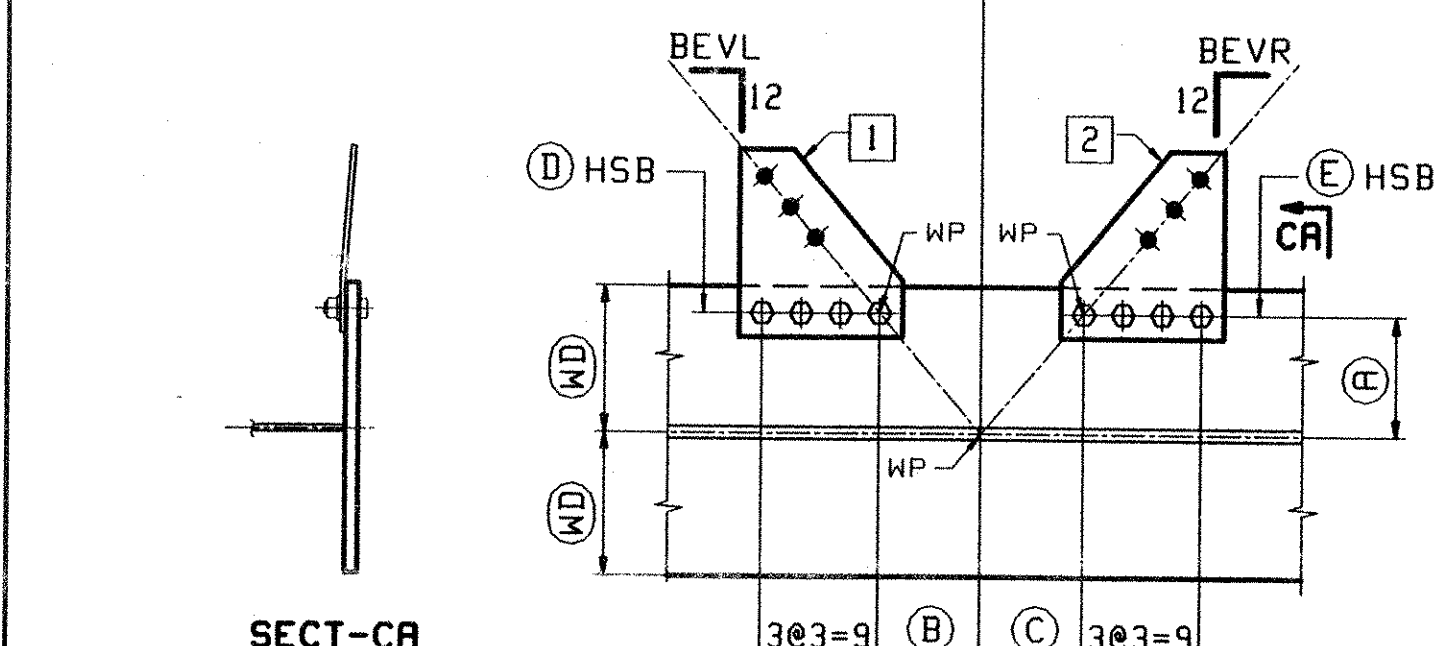
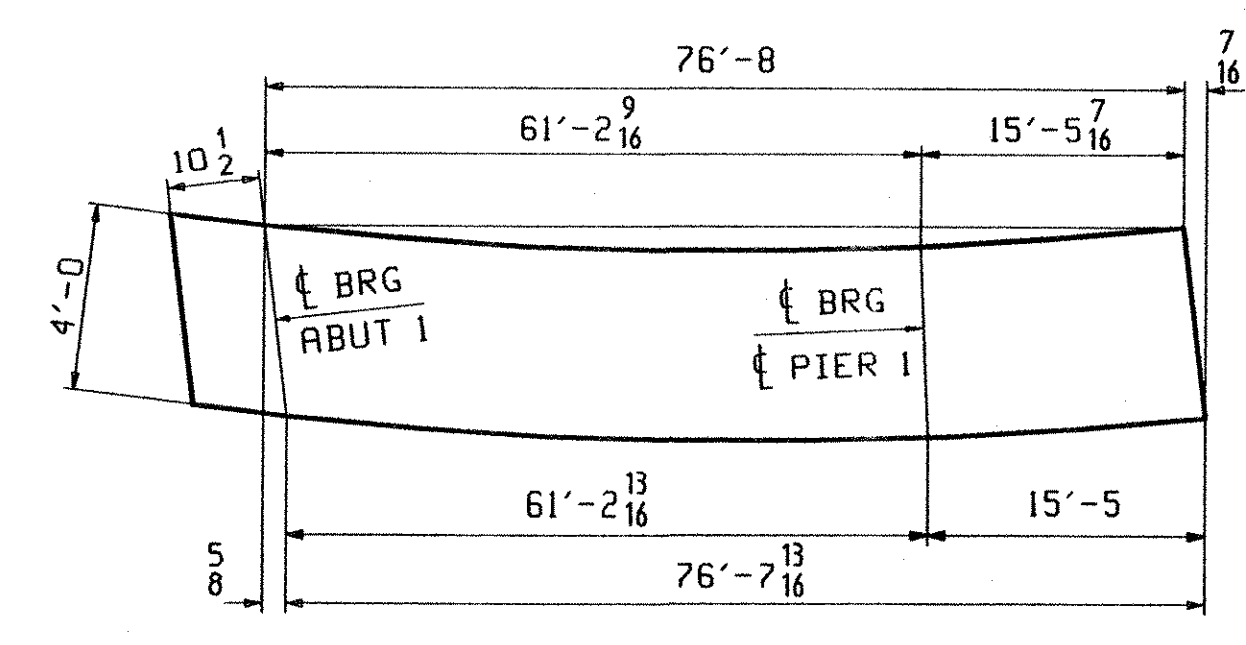
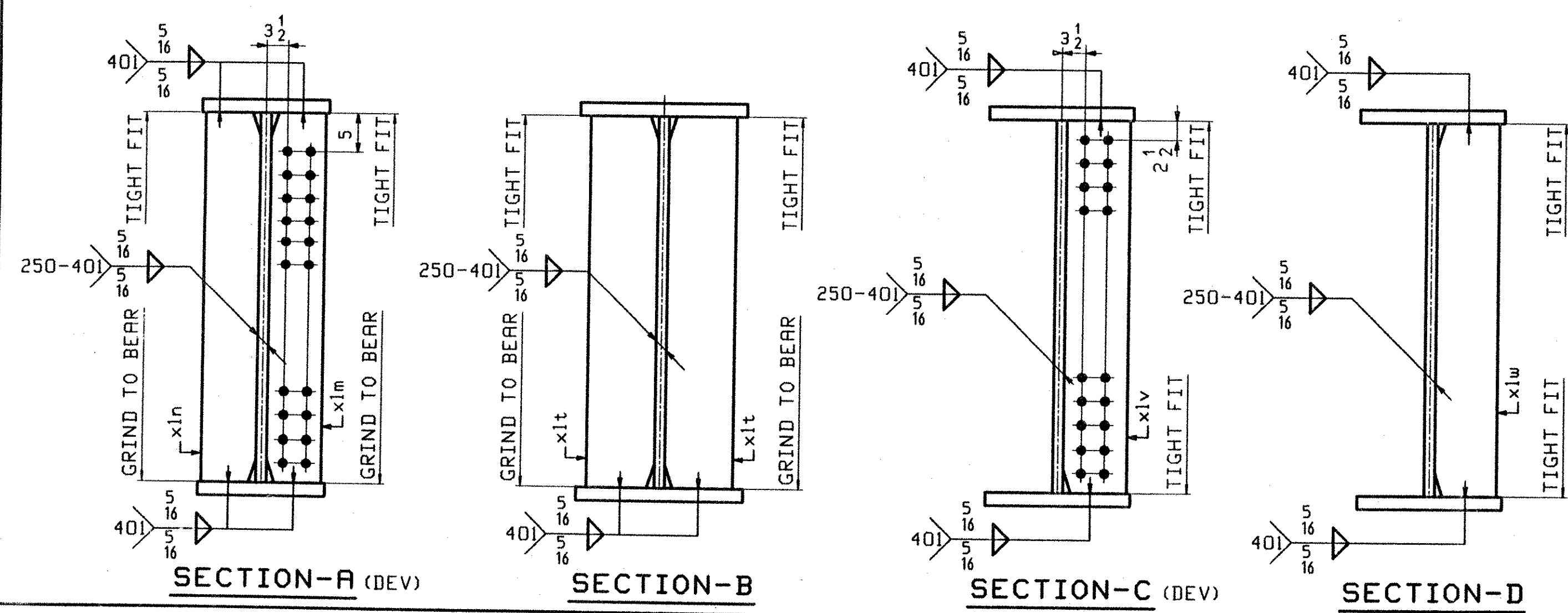
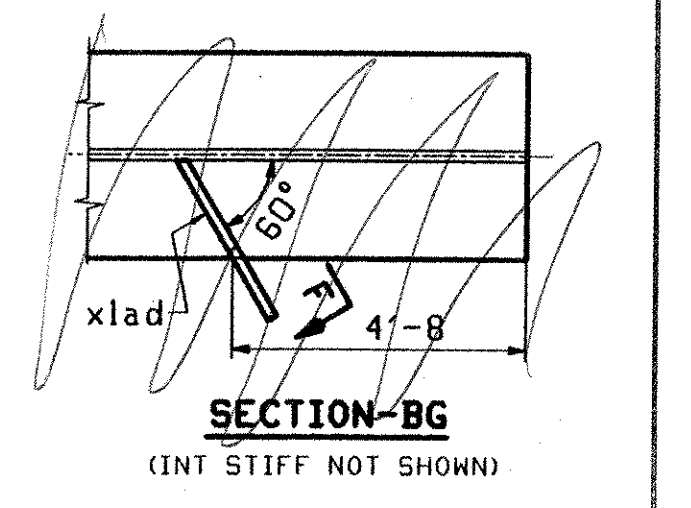
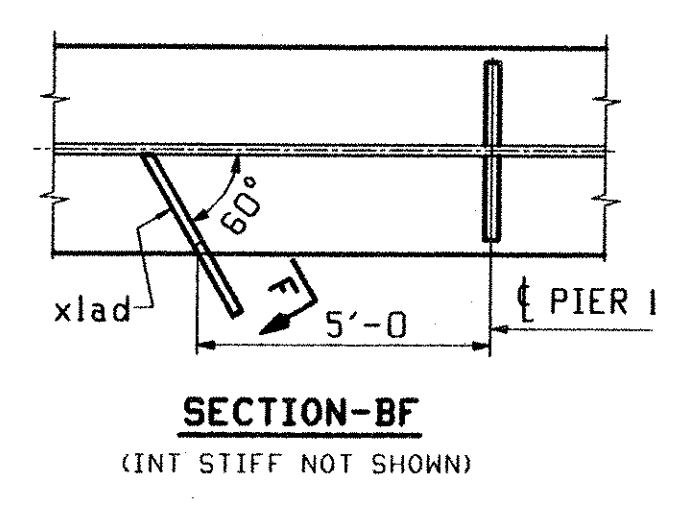
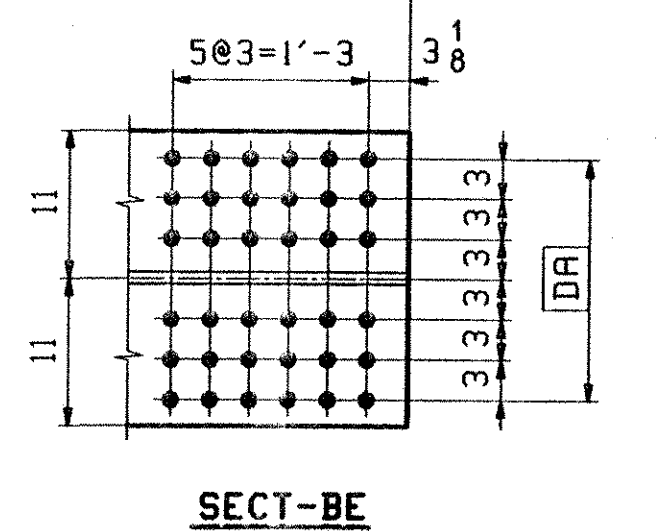
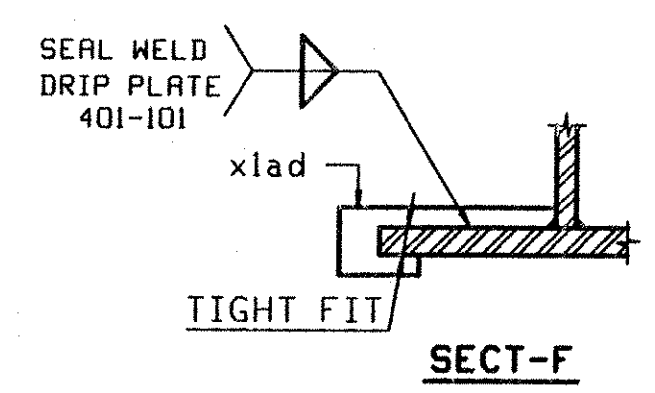


ABM INFO		SHIP	BILL OF MATERIAL				JOB NO.	DRAWING NO.	REV.
PAGE	LINE	MARK	QTY	MARK	MATERIAL	LENGTH FT INCHES	REMARKS	WT	PROCUREMENT NOTES
		G5A	1		GIRDER			18224	
5	Q	1	wa		PL 1/2 x 49 5/8	77 6 15/16	(M270-50HT2) (#2-3)		
3	C	1	ta		PL 1x16	50 1 11/16	(M270-50HT2) (#2-3)		
2	J	1	tb		PL 1 1/4 x 22	27 4 1/8	(M270-50HT2) (#2-3)		
3	C	1	ba		PL 1x16	50 1 3/8	(M270-50HT2) (#2-3)		
2	J	1	bb		PL 1 1/4 x 22	27 4 1/8	(M270-50HT2) (#2-3)		
7	N	1	xln		PL 1x8	4 0	(M270-50HT2) (#2-3)		
7	N	1	xlm		PL 1x8	4 0	(M270-50HT2) (#2-3)		
7	R	6	xlv		PL 1/2 x 8	4 0	(M270-50HT2) (#2-3)		
7	P	2	xlt		PL 1x10	4 0	(M270-50HT2) (#2-3)		
7	V	2	x2k		PL 3/8 x 12 1/2	1 2 1/2	BENT		
7	V	2	x2ak		PL 3/8 x 12 1/2	1 2 1/2	BENT		
7	V	1	x2t		PL 3/8 x 12 1/2	1 2 1/2	BENT		
7	V	1	x2as		PL 3/8 x 12 1/2	1 2 1/2	BENT		
7	V	1	x2bm		PL 3/8 x 12 1/2	1 2 1/2	BENT		
7	V	2	x2cn		PL 3/8 x 12 1/2	1 2 1/2	BENT		
7	V	1	x2bn		PL 3/8 x 12 1/2	1 2 1/2	BENT		
7	R	1	xlw		PL 1/2 x 8	4 0	(M270-50HT2) (#2-3)		
7	T	1	xlad		PL 1/4 x 3 1/4	1 2 1/2			
9	C	4			7/8" HSB	0 2 3/4	(A325-1) GALV		
9	G	4			7/8" HSW		(F436) GALV		
9	M	20			7/8" HSB	0 2 3/4	(A325-3)		
9	N	16			7/8" HSB	0 3	(A325-3)		
9	R	36			7/8" HSW		(F436H)		



SECT	(WD)	(A)	(B)	(C)	BEVL	BEVR	(1)	(2)	(D)	(E)
BA	8	6	4 1/2	4 1/2	9	9	x2k	x2ak	7/8" x 2 3/4" (GALV)	7/8" x 2 3/4"
BAA	8	6	4 1/2	4 1/2	9	9	x2k	x2ak	7/8" x 2 3/4"	7/8" x 2 3/4"
BB	8	6	4 5/8	4 5/8	9 1/4	9 1/4	x2t	x2as	7/8" x 2 3/4"	7/8" x 2 3/4"
BC	11	9	6 7/8	6 15/16	9 3/16	9 1/4	x2bm	x2cn	7/8" x 3	7/8" x 3
BD	11	9	6 15/16	6 15/16	9 1/4	9 1/4	x2bn	x2cn	7/8" x 3	7/8" x 3

ONE - GIRDER - G5A (DEV)
 1. FOR GIRDER STANDARD DETAILS SEE DWG. XI & X2.
 2. FOR CAMBER DIAGRAM SEE DWG. C1.
 3. FOR FLANGE DIAGRAM SEE DWG. F2.
 4. FOR GENERAL NOTES SEE SHT. GNI.



OUT FOR APPROVAL 8/23/02

OUT FOR APPROVAL

ISSUED TO SHOP

FIELD & OFFICE

REV.	REMARKS	DATE	DWN	CHK	APP	Q.A.	NO.	DIA.	LGT	TYPE	WASHER
	MATERIAL: M270-50W										
	ELECTRODES:										
	HOLES: 15/16" (UN)										
	SHOP BOLTS: AS NOTED										

DESCRIPTION: GIRDER - G5A

JOB: VT RTE 9 OVER THE DEERFIELD RIVER

BRIDGE NO. 25

SEARSBURG, VERMONT

CONTRACTOR: J.A. McDONALD

PROJ. NO. PROJ. NHF 010-1(18)

CUSTOMER: VERMONT AGENCY OF TRANSPORTATION

CASCO BAY STEEL STRUCTURES, INC.

75 SPRING HILL ROAD SACO, MAINE 04072

PHONE (207) 282-7360 FAX. (207) 282-1179

DESCRIPTION	DATE	BY
DRAWN BY	08/18	ATD
CHKD BY	08/19	DO
APPROV BY		
SUPERVISOR		M. J. GATTI

JOB NO. 165 DRG. NO. 5