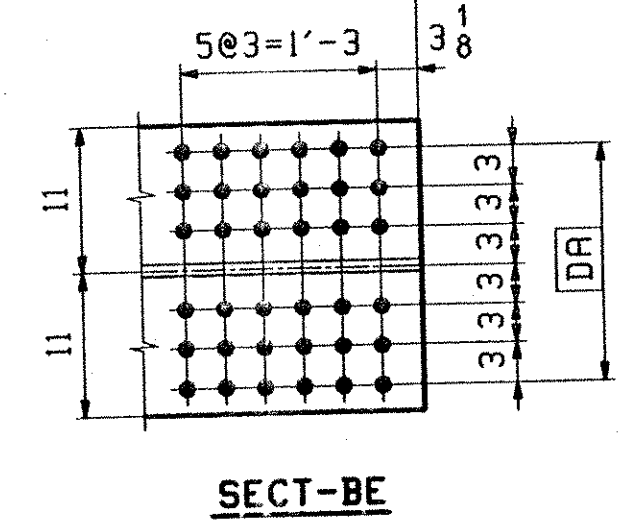


ABN INFO		BILL OF MATERIAL				JOB NO.	DRAWING NO.	REV.		
PAGE	LINE	MARK	QTY	MARK	MATERIAL	LENGTH FT	INCHES	REMARKS	WT	PROCUREMENT NOTES
		G4A	1		GIRDER				18461	
5	Q		1	wa	PL 1/2 x 4 5/8	77	8 1/8	(M270-50HT2) (H2-3)		
3	A		1	ta	PL 1 x 16	50	8 1/8	(M270-50HT2) (H2-3)		
2	L		1	tb	PL 1/4 x 22	26	11 1/8	(M270-50HT2) (H2-3)		
3	A		1	ba	PL 1 x 16	50	7 1/8	(M270-50HT2) (H2-3)		
2	L		1	bb	PL 1/4 x 22	26	11 1/8	(M270-50HT2) (H2-3)		
7	N		1	xln	PL 1 x 8	4	0	(M270-50HT2) (H2-3)		
7	N		1	xlm	PL 1 x 8	4	0	(M270-50HT2) (H2-3)		
7	R		10	xlv	PL 1/2 x 8	4	0	(M270-50HT2) (H2-3)		
7	P		2	xlt	PL 1 x 10	4	0	(M270-50HT2) (H2-3)		
7	V		1	x2an	PL 3/8 x 12 1/2	1	2 1/2	BENT		
7	V		2	x2n	PL 3/8 x 12 1/2	1	2 1/2	BENT		
7	V		1	x2am	PL 3/8 x 12 1/2	1	2 1/2	BENT		
7	V		1	x2at	PL 3/8 x 12 1/2	1	2 1/2	BENT		
7	V		2	x2bs	PL 3/8 x 12 1/2	1	2 1/2	BENT		
7	V		2	x2cs	PL 3/8 x 12 1/2	1	2 1/2	BENT		
7	R		1	xlp	PL 1/2 x 8	4	0	(M270-50HT2) (H2-3)		
7	R		1	xlw	PL 1/2 x 8	4	0	(M270-50HT2) (H2-3)		
9	M		20		7/8 HSB	0	2 1/2	(A325-3)		
9	N		16		7/8 HSB	0	3	(A325-3)		
9	R		36		7/8 HSW			(F436H)		

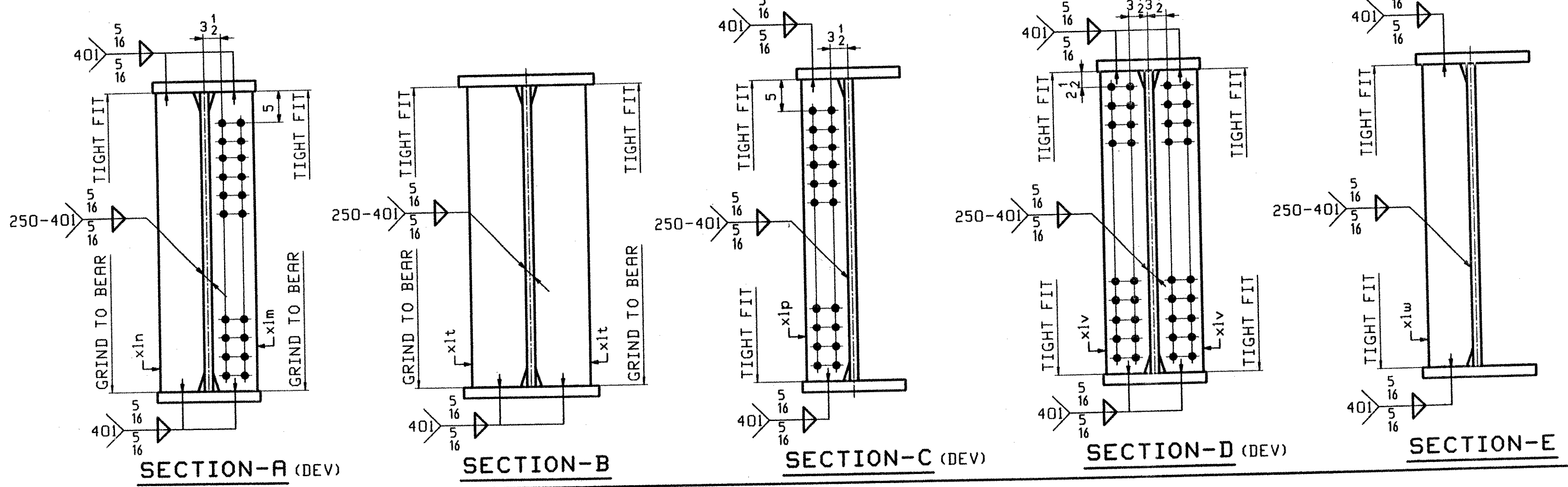
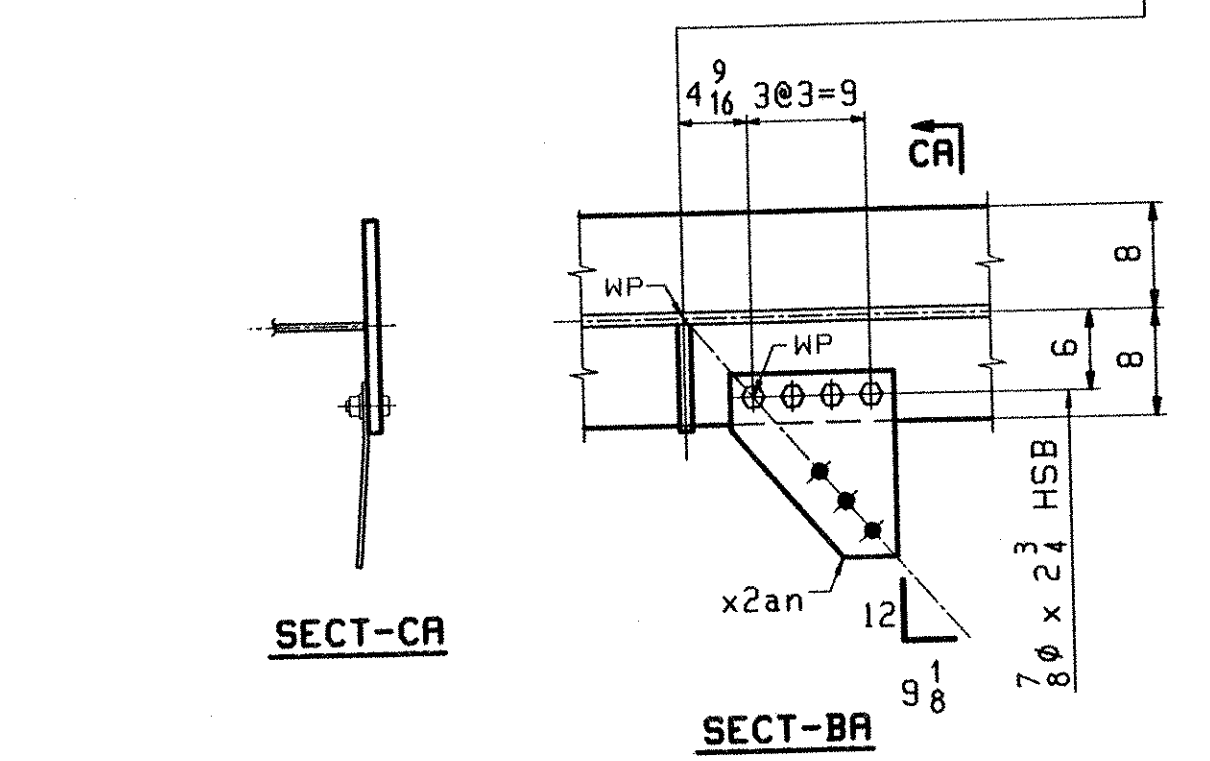
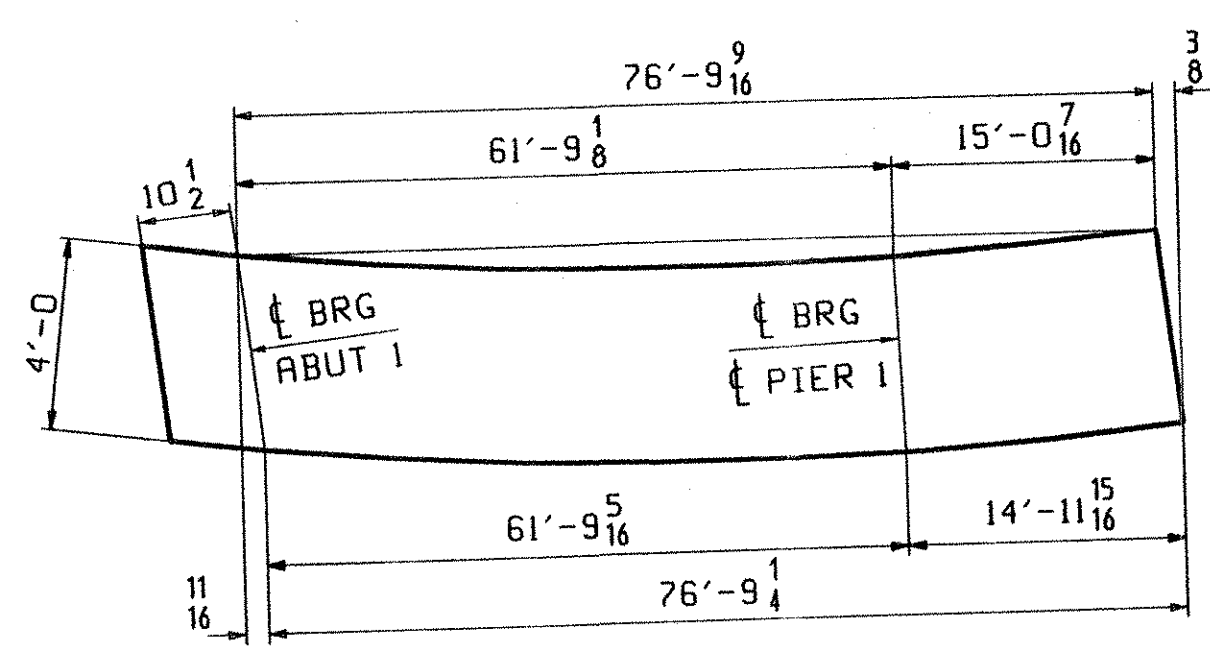
RECEIVED
 CK'D BY DV OK'D BY _____
 AUG 26 2002
 RESUBMIT APPROVED _____
 BY RW DATE 9-17-02

SECT	WD	A	B	C	BEVL	BEVR	1	2	D
BB	8	6	4 9/16	4 1/2	9 1/8	9 1/8	x2n	x2am	7/8 x 2 3/4
BC	8	6	4 9/16	4 1/8	9 1/8	9 1/8	x2n	x2at	7/8 x 2 3/4
BD	11	9	7 1/16	7	9 3/8	9 5/16	x2bs	x2cs	7/8 x 3



ONE - GIRDER - G4A (DEV)

- FOR GIRDER STANDARD DETAILS SEE DWG. XI & X2.
- FOR CAMBER DIAGRAM SEE DWG. C1.
- FOR FLANGE DIAGRAM SEE DWG. F2.
- FOR GENERAL NOTES SEE SHT. GNI.



OUT FOR APPROVAL	8/23/02										
OUT FOR APPROVAL											
ISSUED TO SHOP											
FIELD & OFFICE											
REV.	REMARKS	DATE	DNW	CHK	APP	O.A.	NO.	DIA.	LGT	TYPE	WASHER
	MATERIAL:										
	ELECTRODES:										
	HOLES:										
	SHOP BOLTS:										
	M270-SOW										AS NOTED
	15/16 phi (UN)										
	SURFACE PREP. & PAINT: -STEEL WITHIN 10'-0 ENDS OF GIRDERS SHALL BE PAINTED (SEE GNI) -ALL OTHER STEEL SHALL BE BLAST CLEANED AND LEFT UNPAINTED.										
	DESCRIPTION:	GIRDER - G4A								DRAWN BY	DATE
	JOB:	VT RTE 9 OVER THE DEERFIELD RIVER								ATD	08/16
		BRIDGE NO. 25								CHKD BY	
		SEARSBURG, VERMONT								DO	08/19
		CONTRACTOR: J.A. McDONALD								APPROV BY	
										SUPERVISOR	W. J. GATTI
	PROJ NO.	PROJ. NHF 010-1(18)								O.A.	
	CUSTOMER:	VERMONT AGENCY OF TRANSPORTATION								JOB NO.	DRG. NO.
										165	4
										PHONE	REV.
										(207) 282-7360	
										SACO, MAINE 04072	
										FAX:	(207) 282-1179

617-8235-554