

**ONE - GIRDER - G3A (DEV)**

1. FOR GIRDER STANDARD DETAILS SEE DWG. X1 & X2.
2. FOR CAMBER DIAGRAM SEE DWG. C1.
3. FOR FLANGE DIAGRAM SEE DWG. F1.
4. FOR GENERAL NOTES SEE SHT. GNI.

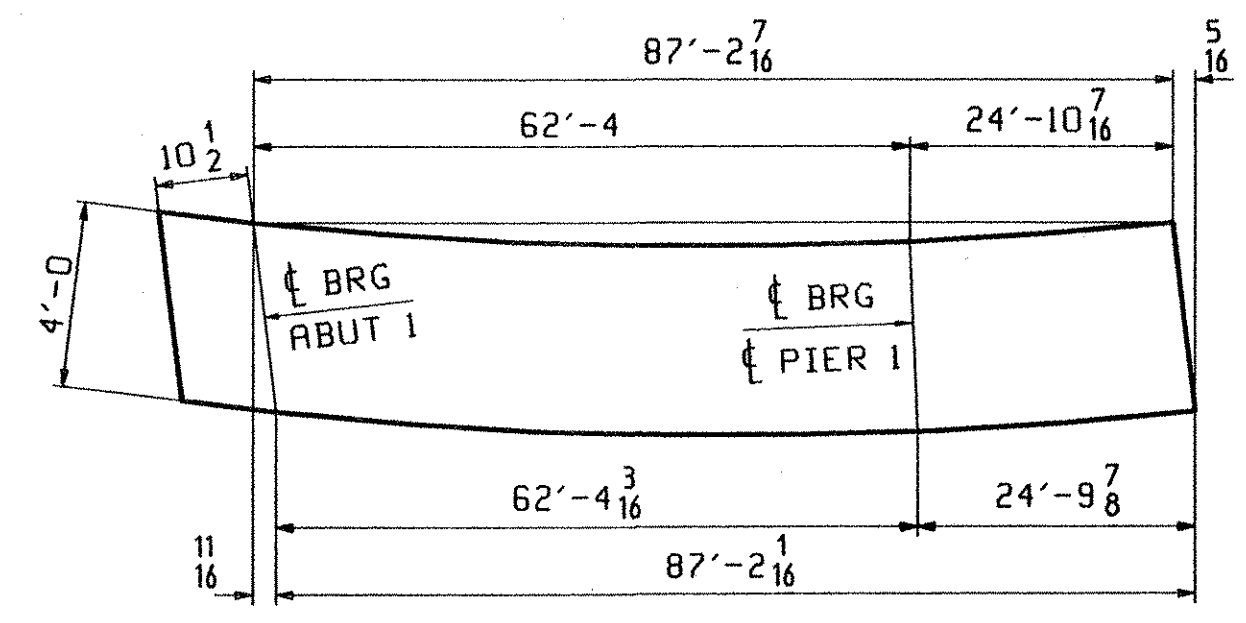
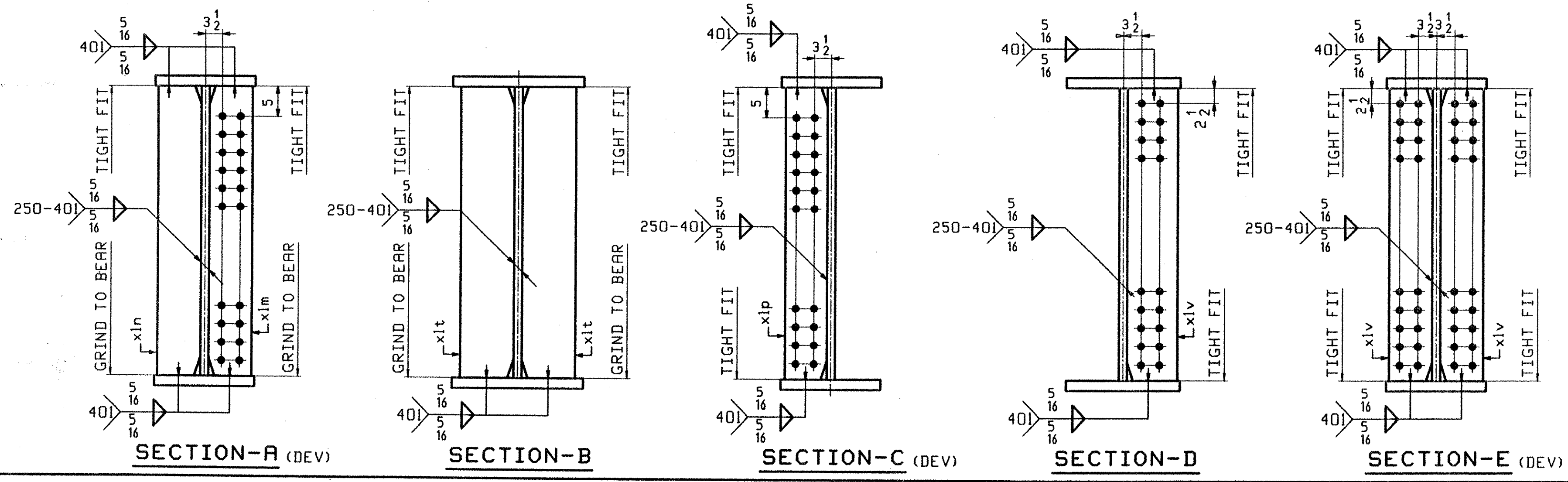
RECEIVED  
 OK'D BY DV OK'D BY \_\_\_\_\_  
 AUG 26 2002  
 RESUBMIT \_\_\_\_\_ APPROVED \_\_\_\_\_  
 BY RW DATE 9-17-02

BILL OF MATERIAL						JOB NO.	DRAWING NO.	REV.	
PAGE	LINE	MARK	QTY	MARK	MATERIAL	LENGTH FT INCHES	REMARKS	WT	PROCUREMENT NOTES
		G3A	1		GIRDER			20331	
6	C		1	wa	PL 1/2x48 3/8	45 11 1/4	(M270-50WT2) (H2-3)		
5	H		1	wb	PL 1/2x49 3/8	42 2 1/4	(M270-50WT2) (H2-3)		
2	Y		1	ta	PL 1x16	51 3	(M270-50WT2) (H2-3)		
2	S		1	tb	PL 1 1/4x22	24 0 1/2	(M270-50WT2) (H2-3)		
4	L		1	tc	PL 3/8x16	12 9 3/8	(M270-50WT2) (H2-3)		
2	Y		1	ba	PL 1x16	51 2 3/8	(M270-50WT2) (H2-3)		
2	A		1	bb	PL 1 1/4x22	36 3 3/8	(M270-50WT2) (H2-3)		
7	N		1	xln	PL 1x8	4 0	(M270-50WT2) (H2-3)		
7	N		1	xlm	PL 1x8	4 0	(M270-50WT2) (H2-3)		
7	R		11	xlv	PL 1/2x8	4 0	(M270-50WT2) (H2-3)		
7	P		2	xlt	PL 1x10	4 0	(M270-50WT2) (H2-3)		
7	R		1	xlp	PL 1/2x8	4 0	(M270-50WT2) (H2-3)		

OUT FOR APPROVAL	9/23/02								
OUT FOR APPROVAL									
ISSUED TO SHOP									
FIELD & OFFICE									

REV.	REMARKS	DATE	DWN	CHK	APP	Q.A.	NO.	DIA.	LGT	TYPE	WASHER
MATERIAL:	M270-50W	ELECTRODES:									
		HOLES:						15/16" Ø (UN)			AS NOTED

SURFACE PREP. & PAINT: -STEEL WITHIN 10'-0" ENDS OF GIRDERS SHALL BE PAINTED (SEE GNI) -ALL OTHER STEEL SHALL BE BLAST CLEANED AND LEFT UNPAINTED.	
DESCRIPTION: GIRDER - G3A	DRAWN BY: ATD DATE: 08/15
JOB: VT RTE 9 OVER THE DEERFIELD RIVER	CHKD BY: DO DATE: 08/16
BRIDGE NO. 25	APPROV BY: SUPERVISOR W. J. GATTI
SEARSBURG, VERMONT	
CONTRACTOR: J.A. McDONALD	
PROJ. NO. PROJ. NHF 010-1(18)	Q.A.
CUSTOMER: VERMONT AGENCY OF TRANSPORTATION	
<b>CASCO BAY STEEL STRUCTURES, INC.</b>	JOB NO. 165 DRG. NO. 3
75 SPRING HILL ROAD SACO, MAINE 04072	REV. Δ
PHONE (207) 282-7360 FAX. (207) 282-1179	



ATD Thu Aug 20 14:53:06 EDT 2002 /smp/282/282/1/1 Rev 0