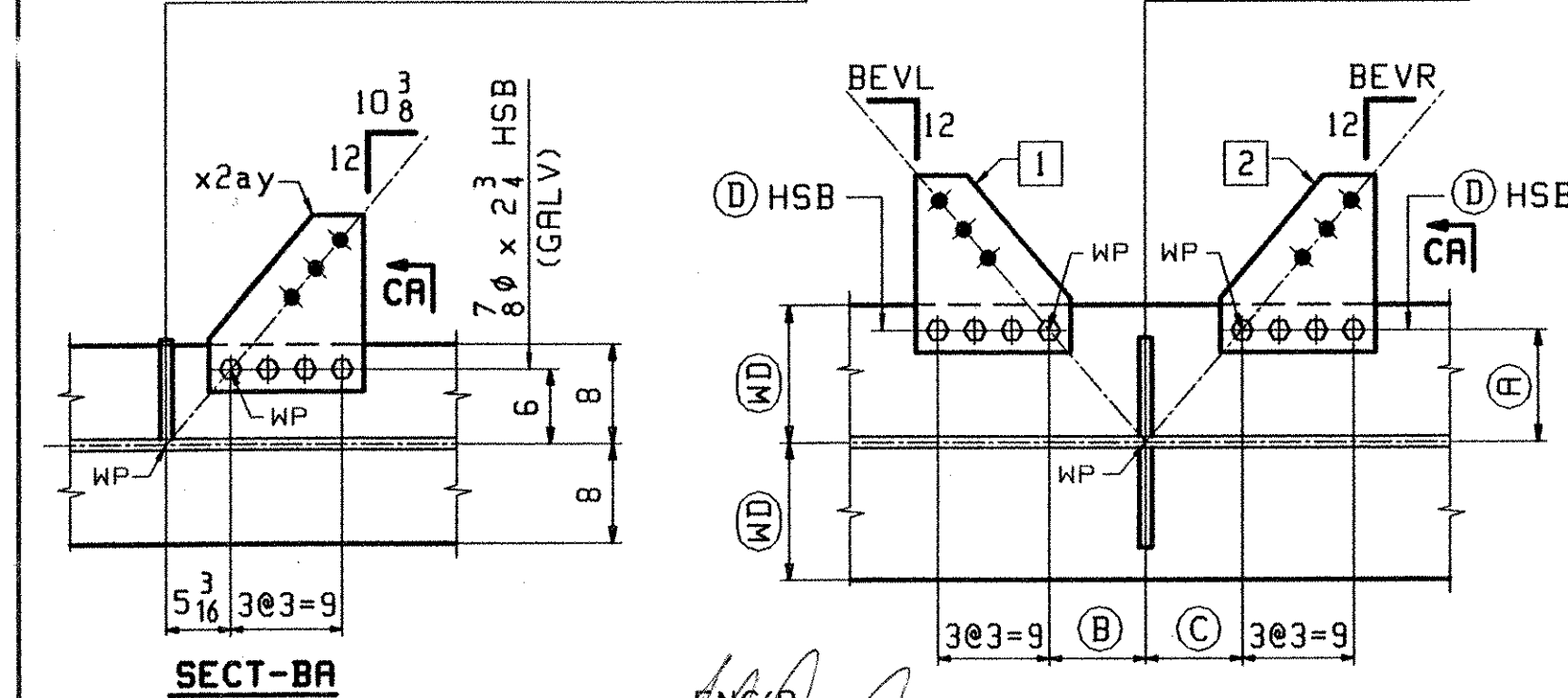
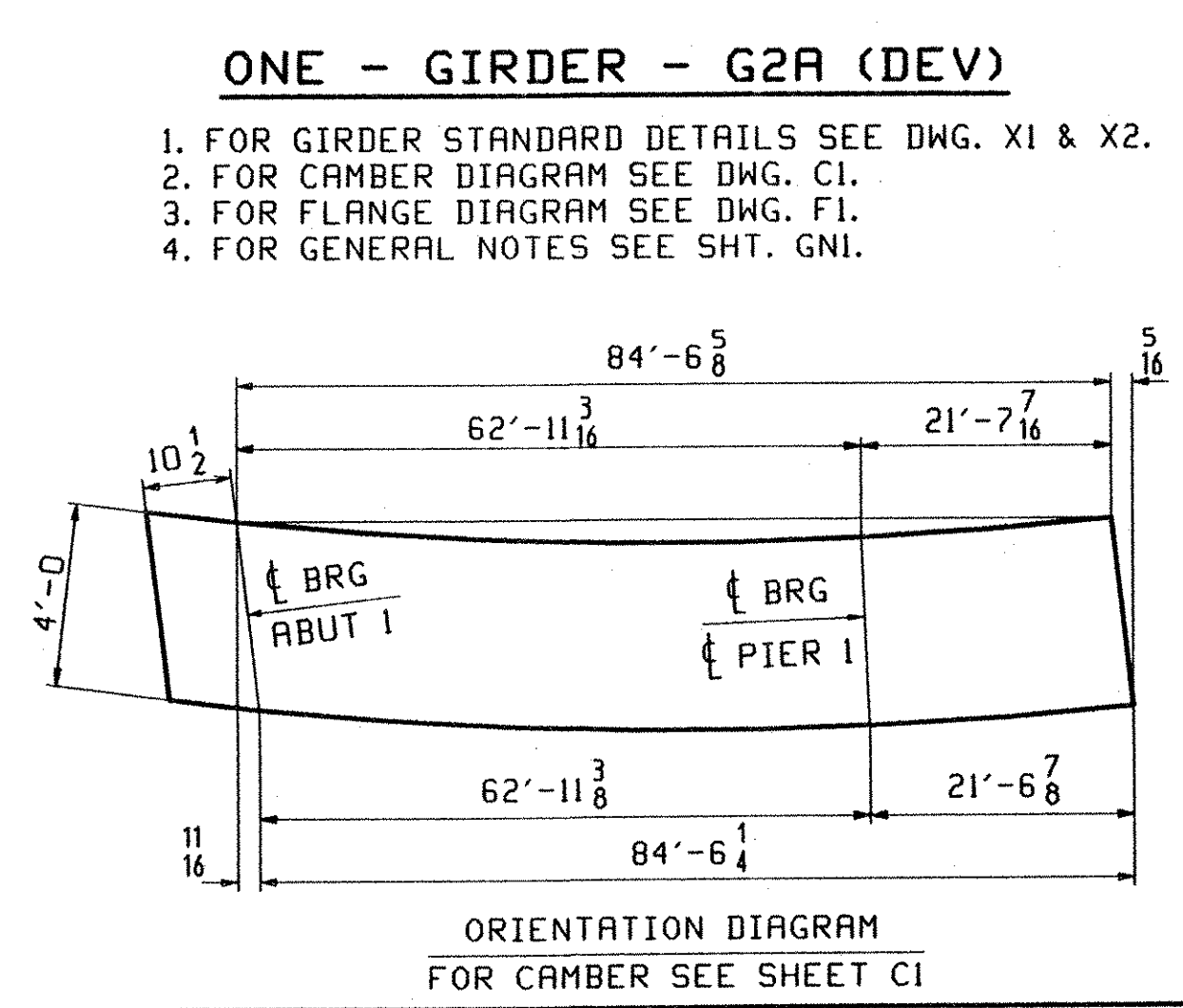
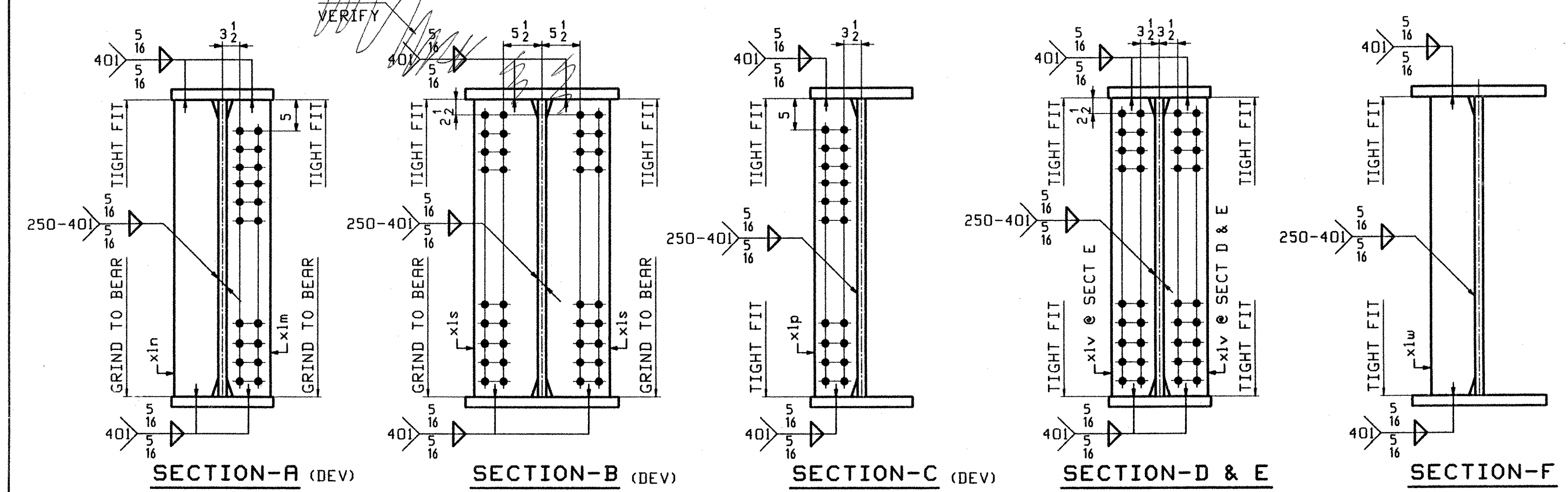
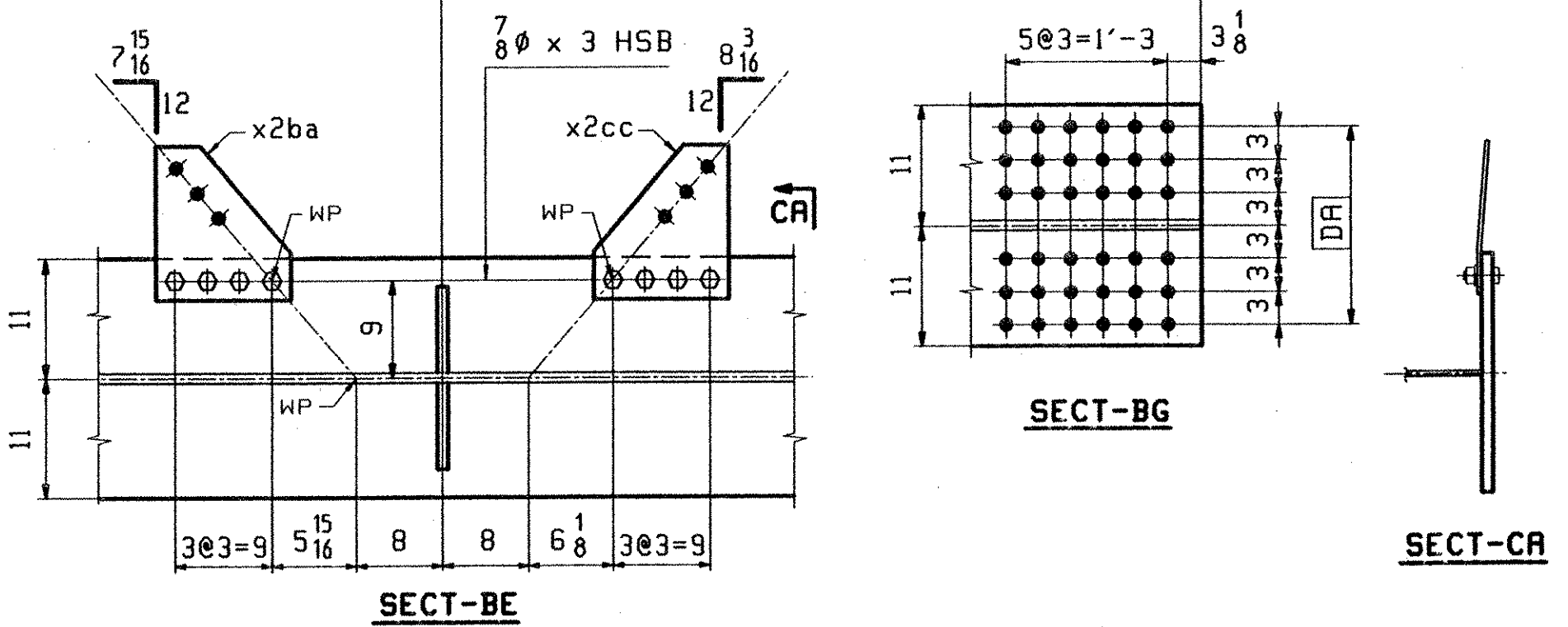


| ABM INFO | | BILL OF MATERIAL | | | | JOB NO. | DRAWING NO. | REV. | |
|----------|------|------------------|------|---------|--------------|---------|-------------|---------------------|-------------------|
| PAGE | LINE | MARK | QTY | MARK | MATERIAL | LENGTH | REMARKS | WT | PROCUREMENT NOTES |
| | | | | | | FT | | | |
| | | | | | | INCHES | | | |
| | | G2A | 1 | | GIRDER | | | 20051 | |
| 6 | C | 1 | wa | PL | 1/2 x 4 1/8 | 45 | 11 1/4 | (M270-50HT2) (H2-3) | |
| 5 | Y | 1 | wb | PL | 1/2 x 4 1/8 | 39 | 6 1/4 | (M270-50HT2) (H2-3) | |
| 2 | U | 1 | ta | PL | 1 x 16 | 51 | 10 3/16 | (M270-50HT2) (H2-3) | |
| 2 | S | 1 | tb | PL | 1/4 x 22 | 24 | 0 1/16 | (M270-50HT2) (H2-3) | |
| 4 | Q | 1 | tc | PL | 7/8 x 16 | 9 | 6 7/8 | (M270-50HT2) (H2-3) | |
| 2 | U | 1 | ba | PL | 1 x 16 | 51 | 9 1/16 | (M270-50HT2) (H2-3) | |
| 2 | S | 1 | bb | PL | 1/4 x 22 | 24 | 0 1/16 | (M270-50HT2) (H2-3) | |
| 1 | L | 1 | bc | PL | 1/2 x 22 | 9 | 6 6/8 | (M270-50HT2) (H2-3) | |
| 7 | N | 1 | xln | PL | 1 x 8 | 4 | 0 | (M270-50HT2) (H2-3) | |
| 7 | N | 1 | xlm | PL | 1 x 8 | 4 | 0 | (M270-50HT2) (H2-3) | |
| 7 | R | 9 | xlv | PL | 2 x 8 | 4 | 0 | (M270-50HT2) (H2-3) | |
| 7 | P | 2 | xls | PL | 1 x 10 | 4 | 0 | (M270-50HT2) (H2-3) | |
| 7 | V | 2 | x2ay | PL | 3/8 x 12 1/2 | 1 | 2 1/2 | BENT | |
| 7 | V | 2 | x2y | PL | 3/8 x 12 1/2 | 1 | 2 1/2 | BENT | |
| 7 | V | 2 | x2ah | PL | 3/8 x 12 1/2 | 1 | 2 1/2 | BENT | |
| 7 | V | 1 | x2h | PL | 3/8 x 12 1/2 | 1 | 2 1/2 | BENT | |
| 7 | V | 1 | x2ba | PL | 3/8 x 12 1/2 | 1 | 2 1/2 | BENT | |
| 7 | V | 1 | x2cc | PL | 3/8 x 12 1/2 | 1 | 2 1/2 | BENT | |
| 7 | V | 1 | x2bh | PL | 3/8 x 12 1/2 | 1 | 2 1/2 | BENT | |
| 7 | V | 1 | x2ck | PL | 3/8 x 12 1/2 | 1 | 2 1/2 | BENT | |
| 7 | R | 1 | xlp | PL | 2 x 8 | 4 | 0 | (M270-50HT2) (H2-3) | |
| 7 | R | 1 | xlw | PL | 2 x 8 | 4 | 0 | (M270-50HT2) (H2-3) | |
| 9 | C | 4 | | 7/8 HSB | | 0 | 2 3/4 | (A325-1) GALV | |
| 9 | G | 4 | | 7/8 HSW | | | | (F436) GALV | |
| 9 | M | 24 | | 7/8 HSB | | 0 | 2 3/4 | (A325-3) | |
| 9 | N | 8 | | 7/8 HSB | | 0 | 3 | (A325-3) | |
| 9 | P | 8 | | 7/8 HSB | | 0 | 3 1/4 | (A325-3) | |
| 9 | R | 40 | | 7/8 HSW | | | | (F436W) | |



| SECT | (WD) | (A) | (B) | (C) | BEVL | BEVR | (1) | (2) | (D) |
|------|------|-----|---------|---------|--------|---------|------|------|---------------|
| BB | 8 | 6 | 5 3/16 | 5 3/16 | 10 3/8 | 10 3/8 | x2y | x2ay | 7/8 φ x 2 3/4 |
| BC | 8 | 6 | 5 3/16 | 4 7/16 | 10 3/8 | 8 13/16 | x2y | x2ah | 7/8 φ x 2 3/4 |
| BD | 8 | 6 | 4 3/8 | 4 7/16 | 8 3/4 | 8 13/16 | x2h | x2ah | 7/8 φ x 2 3/4 |
| BF | 11 | 9 | 6 13/16 | 6 13/16 | 9 1/16 | 9 1/16 | x2bh | x2ck | 7/8 φ x 3 1/4 |



ONE - GIRDER - G2A (DEV)

- FOR GIRDER STANDARD DETAILS SEE DWG. XI & X2.
- FOR CAMBER DIAGRAM SEE DWG. C1.
- FOR FLANGE DIAGRAM SEE DWG. F1.
- FOR GENERAL NOTES SEE SHT. GNI.

RECEIVED
 OK'D BY: *SDV* OK'D BY: _____
 AUG 26 2002
 RESUBMIT APPROVED *As Noted*
 BY: *RRW* DATE: 9-17-02

| REV. | REMARKS | DATE | DWN | CHK | APP | O.A. | NO. | DIA. | LGT | TYPE | WASHER |
|------|------------------|---------|-----|-----|-----|------|-----|------|-----|------|--------|
| | OUT FOR APPROVAL | 5-23-02 | | | | | | | | | |
| | OUT FOR APPROVAL | | | | | | | | | | |
| | ISSUED TO SHOP | | | | | | | | | | |
| | FIELD & OFFICE | | | | | | | | | | |

| DESCRIPTION: | GIRDER - G2A | DRAWN BY: | DATE: |
|--------------|--|-------------|---------------|
| JOB: | VT RTE 9 OVER THE DEERFIELD RIVER | ATD | 08/14 |
| | BRIDGE NO. 25 | CHKD BY: | |
| | SEARSBURG, VERMONT | DO | 08/16 |
| | CONTRACTOR: J.A. McDONALD | APPROV BY: | |
| | | SUPERVISOR: | W. J. GATTI |
| PROJ NO. | PROJ. NHF 010-1(18) | O.A. | |
| CUSTOMER: | VERMONT AGENCY OF TRANSPORTATION | | |
| | CASCO BAY STEEL STRUCTURES, INC. | JOB NO. | DRG. NO. |
| | 75 SPRING HILL ROAD SACO, MAINE 04072 | 165 | 2 |
| | PHONE (207) 282-7360 FAX. (207) 282-1179 | | REV. Δ |