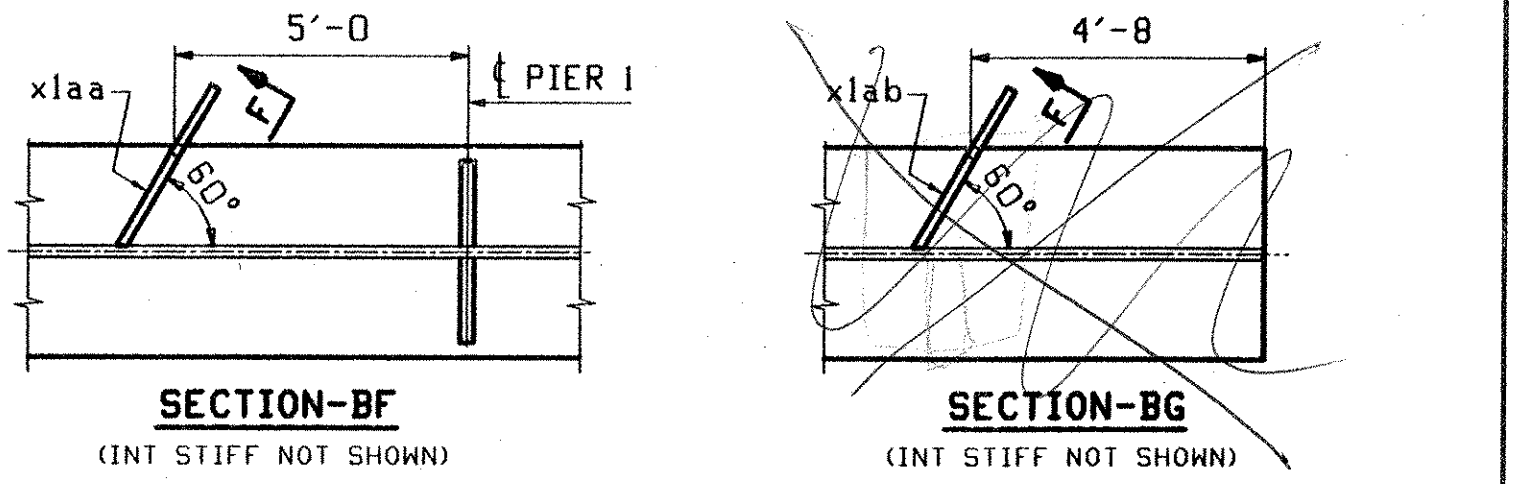


ABM INFO		SHIP	BILL OF MATERIAL				JOB NO.	DRAWING NO.	REV.
PAGE	LINE	MARK	QTY	MARK	MATERIAL	LENGTH FT INCHES	REMARKS	WT	PROCUREMENT NOTES
		G1A	1		GIRDER			21247	
6	C	1	wa	PL	1/2 x 48	45 11 1/8	(M270-50HT2) (H2-3)		
5	U	1	wb	PL	1/2 x 49	44 11 1/8	(M270-50HT2) (H2-3)		
2	U	1	ta	PL	1 x 16	51 7 1/2	(M270-50HT2) (H2-3)		
2	Q	1	tb	PL	1/4 x 22	24 10 1/16	(M270-50HT2) (H2-3)		
4	J	1	tc	PL	1/2 x 16	14 4 7/8	(M270-50HT2) (H2-3)		
2	W	1	ba	PL	1 x 16	51 7 1/2	(M270-50HT2) (H2-3)		
2	Q	1	bb	PL	1/4 x 22	24 10 1/16	(M270-50HT2) (H2-3)		
1	J	1	bc	PL	1/2 x 22	14 4 7/8	(M270-50HT2) (H2-3)		
7	N	2	xln	PL	1 x 8	4 0	(M270-50HT2) (H2-3)		
7	R	6	xlv	PL	1/2 x 8	4 0	(M270-50HT2) (H2-3)		
7	P	2	xlt	PL	1 x 10	4 0	(M270-50HT2) (H2-3)		
7	R	1	xlv	PL	1/2 x 8	4 0	(M270-50HT2) (H2-3)		
7	V	2	x2aa	PL	3/8 x 12 1/2	1 2 1/2	BENT		
7	V	2	x2da	PL	3/8 x 12 1/2	1 2 1/2	BENT		
7	V	2	x2bf	PL	3/8 x 12 1/2	1 2 1/2	BENT		
7	V	1	x2ch	PL	3/8 x 12 1/2	1 2 1/2	BENT		
7	V	1	x2cb	PL	3/8 x 12 1/2	1 2 1/2	BENT		
7	V	1	x2bt	PL	3/8 x 12 1/2	1 2 1/2	BENT		
7	V	1	x2cm	PL	3/8 x 12 1/2	1 2 1/2	BENT		
7	R	1	xlp	PL	1/2 x 8	4 0	(M270-50HT2) (H2-3)		
7	T	1	xlaa	PL	1/4 x 3 1/4	1 2 1/8			
7	T	1	xlab	PL	1/4 x 3 1/2	1 2 1/8			
9	M	16		7/8	HSB	0 3 1/4	(A325-3)		
9	N	16		7/8	HSB	0 3	(A325-3)		
9	P	8		7/8	HSB	0 3 1/4	(A325-3)		
9	R	40		7/8	HSB		(F436W)		



OUT FOR APPROVAL	8-23-02								
ISSUED TO SHOP									
FIELD & OFFICE									

REV.	REMARKS	DATE	DWN	CHK	APP	Q.A.	NO.	DIA.	LGT	TYPE	WASHER
MATERIAL:	M270-50W	ELECTRODES:		HOLES:	15/16" Ø (UN)	SHOP BOLTS:				AS NOTED	
SURFACE PREP. & PAINT: -STEEL WITHIN 10'-0" ENDS OF GIRDERS SHALL BE PAINTED (SEE GNI) -ALL OTHER STEEL SHALL BE BLAST CLEANED AND LEFT UNPAINTED.											
DESCRIPTION:	GIRDER - G1A								DRAWN BY	DATE	
JOB:	VT RTE 9 OVER THE DEERFIELD RIVER								ATD	08/12	
	BRIDGE NO. 25								CHKD BY		
	SEARSBURG, VERMONT								DO	08/15	
	CONTRACTOR: J.A. McDONALD								APPROV BY		
									SUPERVISOR	H. J. GATTI	
PROJ NO.	PROJ. NHF 010-1(18)								Q.A.		
CUSTOMER: VERMONT AGENCY OF TRANSPORTATION											
CASCO BAY STEEL STRUCTURES, INC.										JOB NO.	DRG. NO.
75 SPRING HILL ROAD										165	1
PHONE (207) 282-7360										SACO, MAINE 04072	
										FAX. (207) 282-1179	REV. Δ

614 BR 25-551