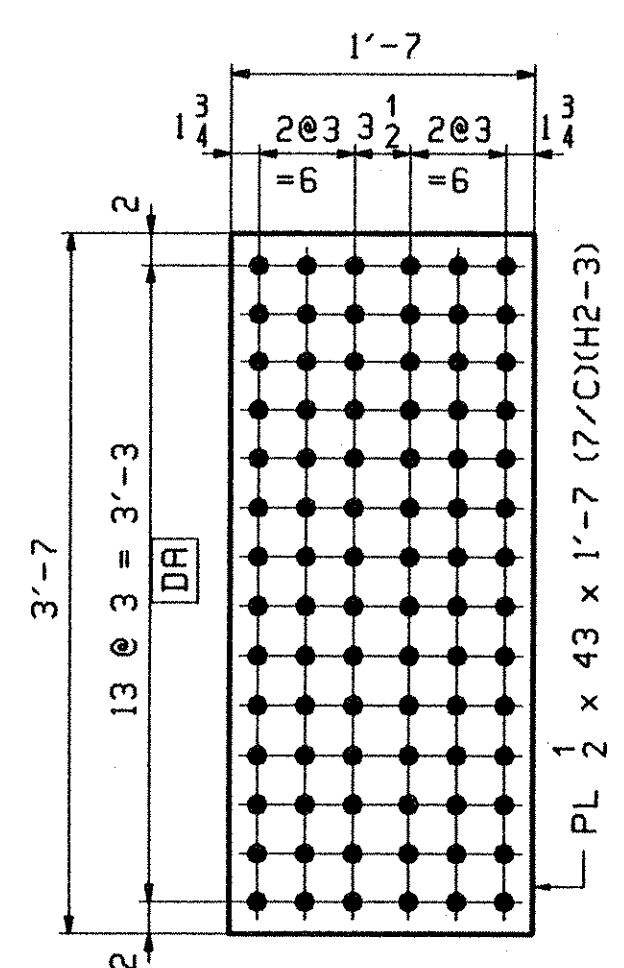
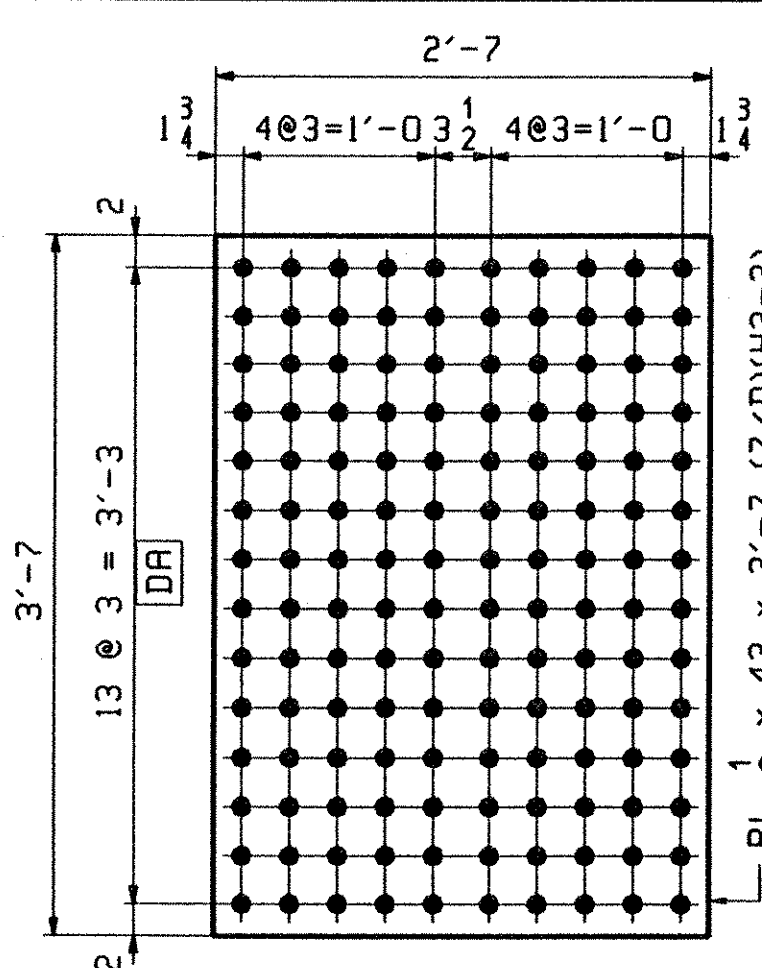


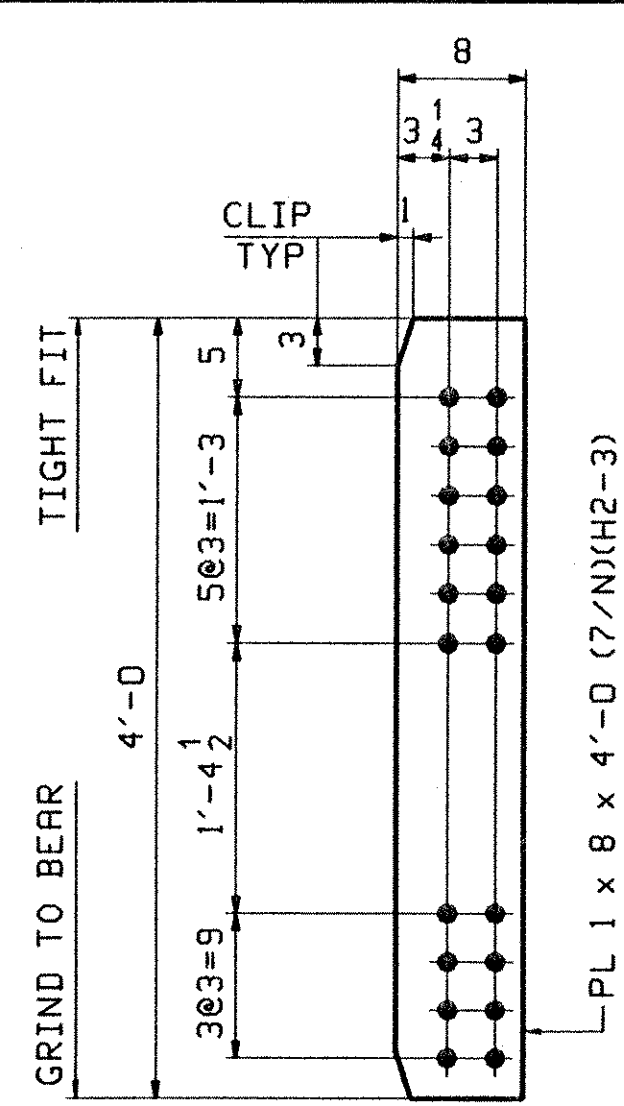
D.O.R.
12 ~ x1a



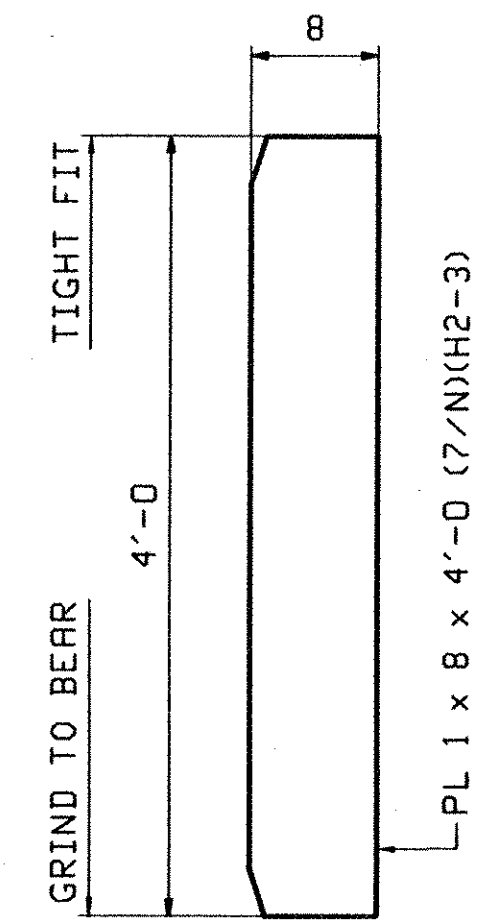
D.O.R.
6 ~ x1g



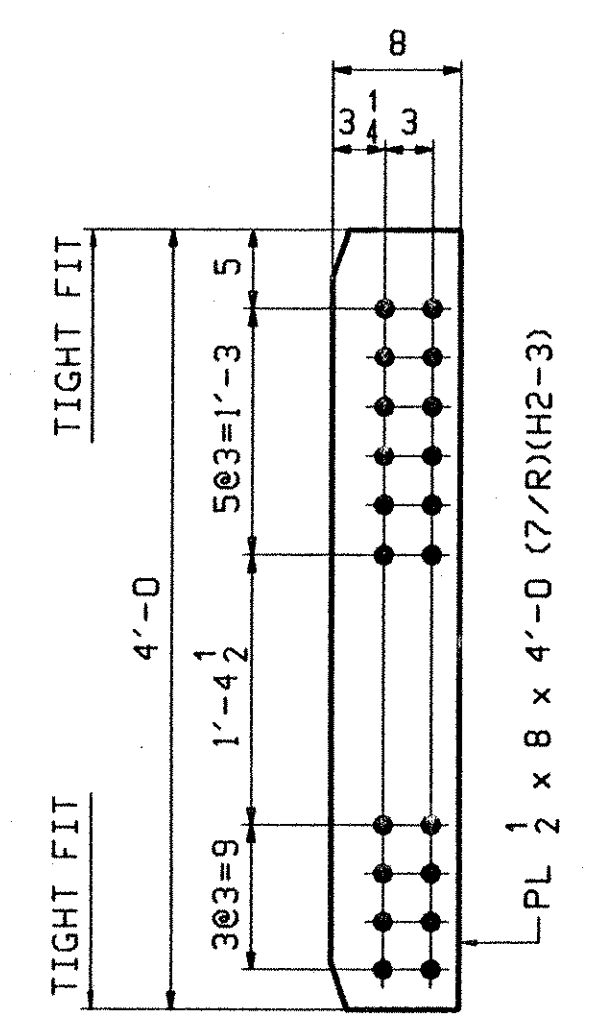
D.O.R.
2 ~ x1h



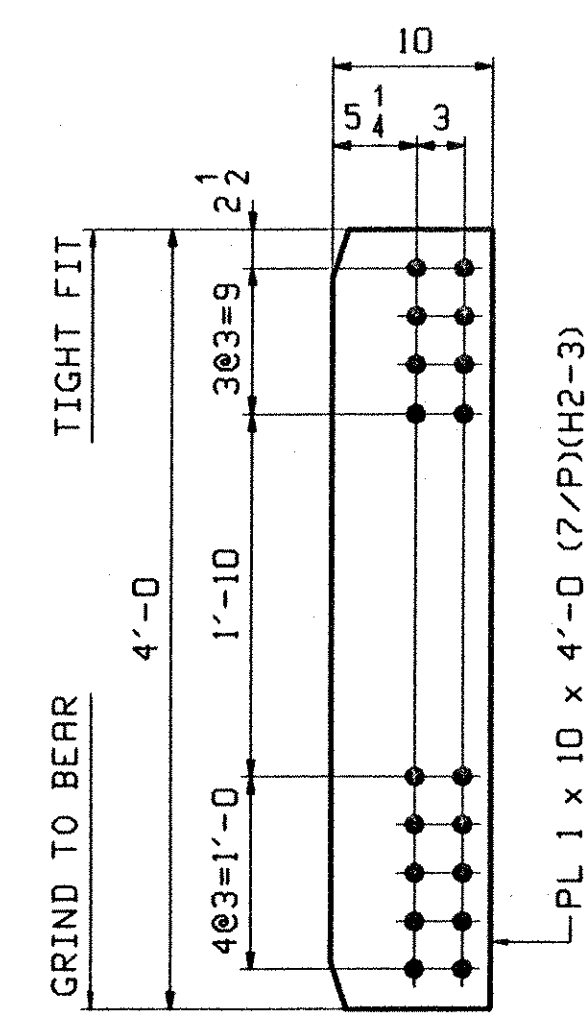
8 ~ x1m
ABUT 1 & 2



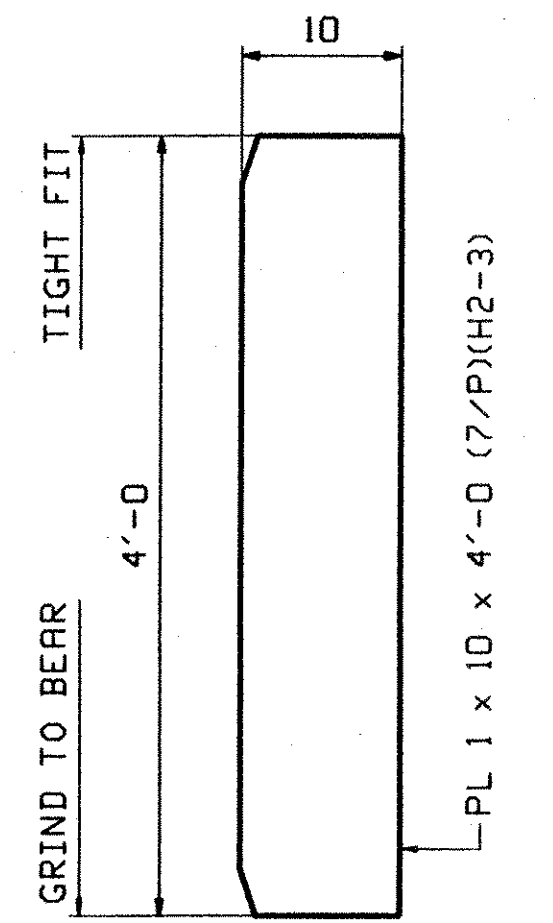
12 ~ x1n
ABUT 1 & 2



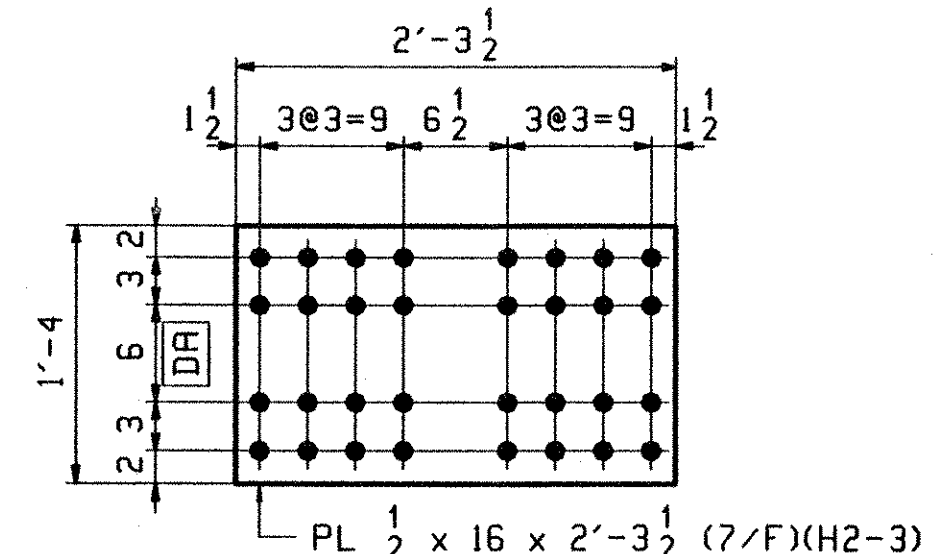
8 ~ x1p
NEAR ABUT 1 & 2



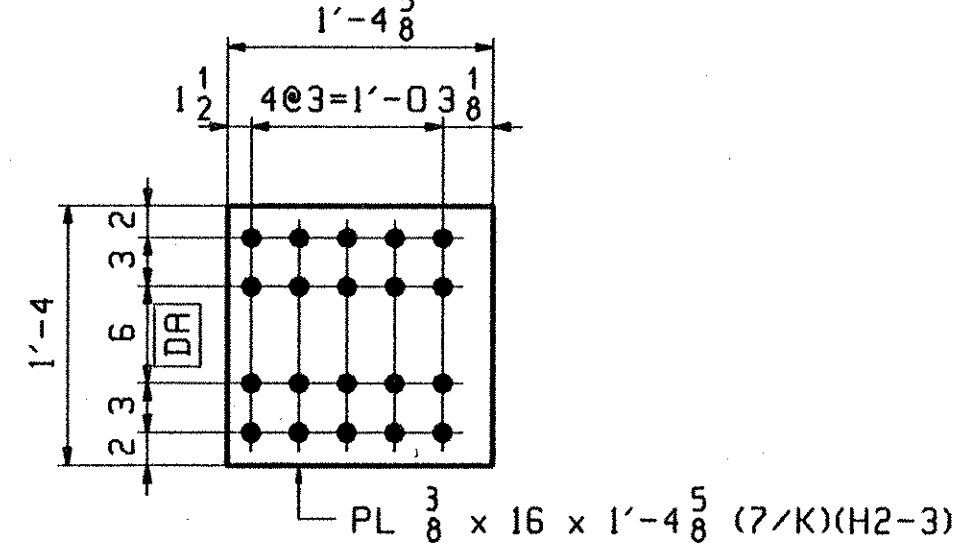
4 ~ x1s
PIER 1 & 2



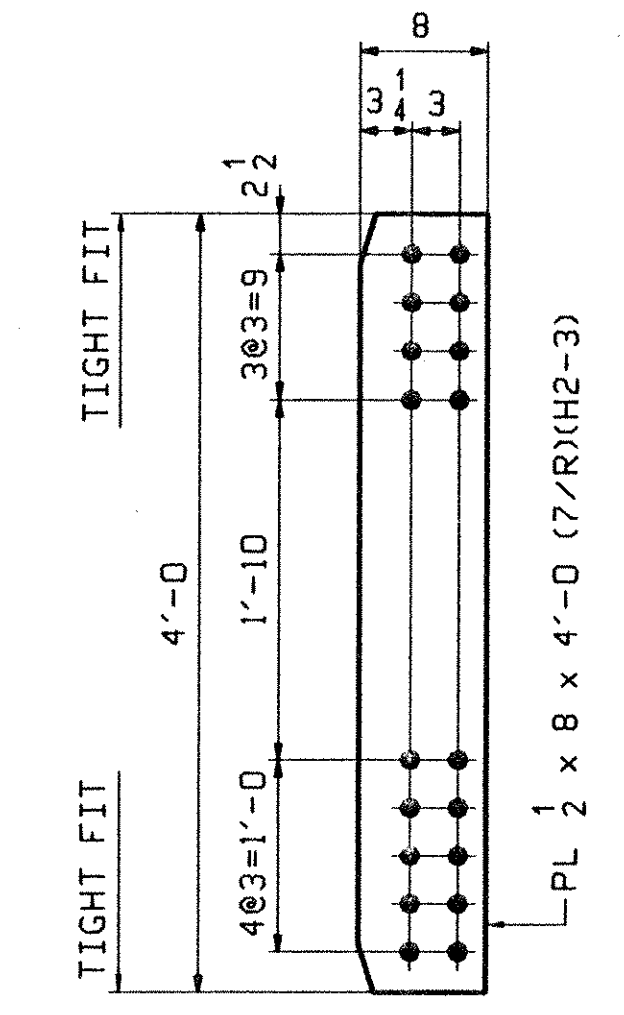
16 ~ x1t
PIER 1 & 2



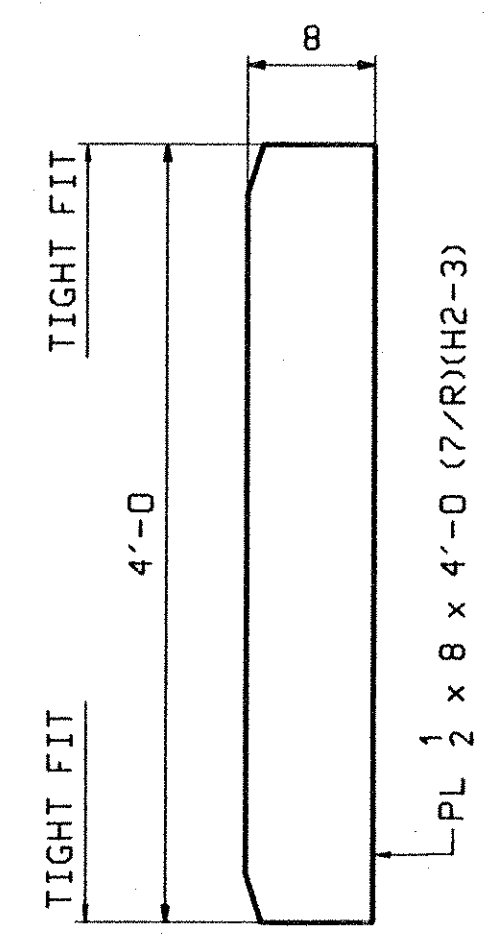
D.O.R.
10 ~ x1b



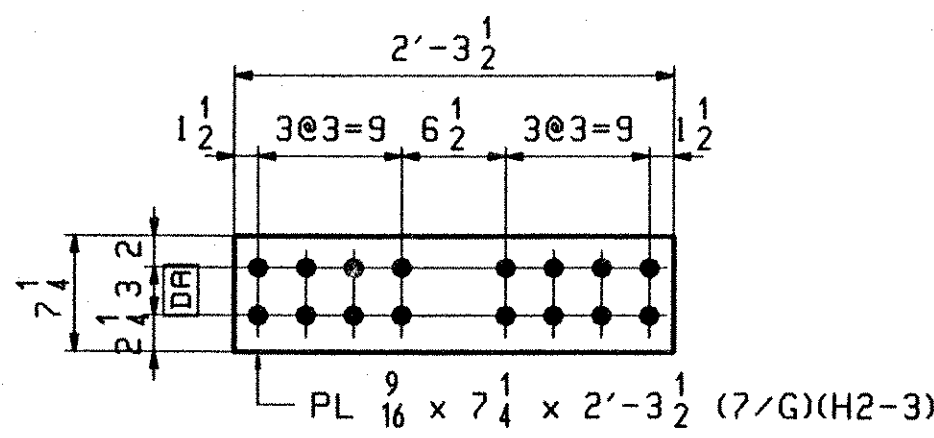
2 ~ x1k



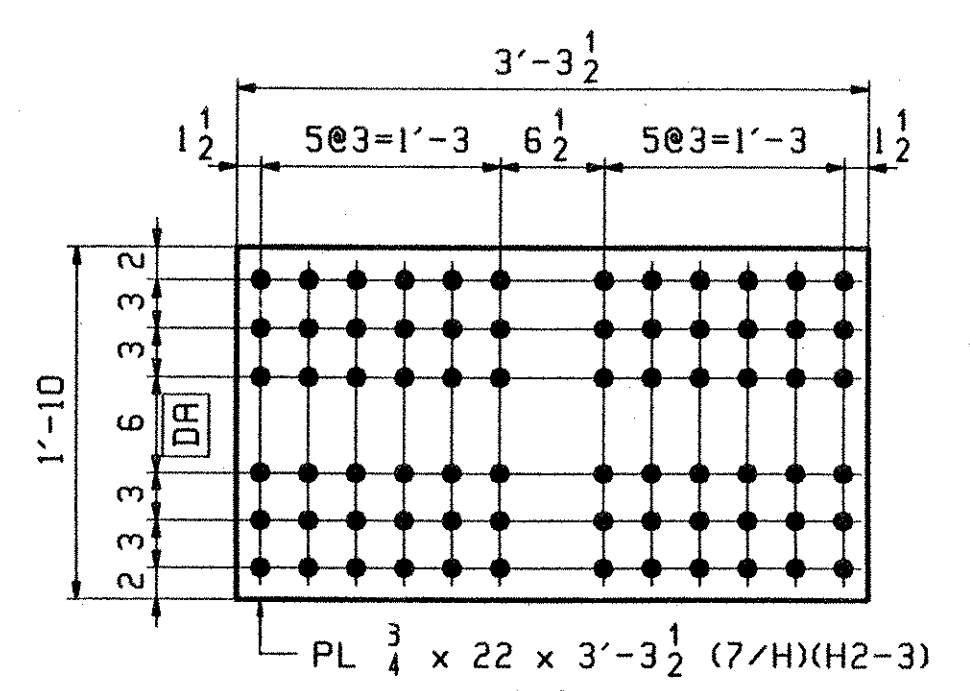
126 ~ x1v
INT



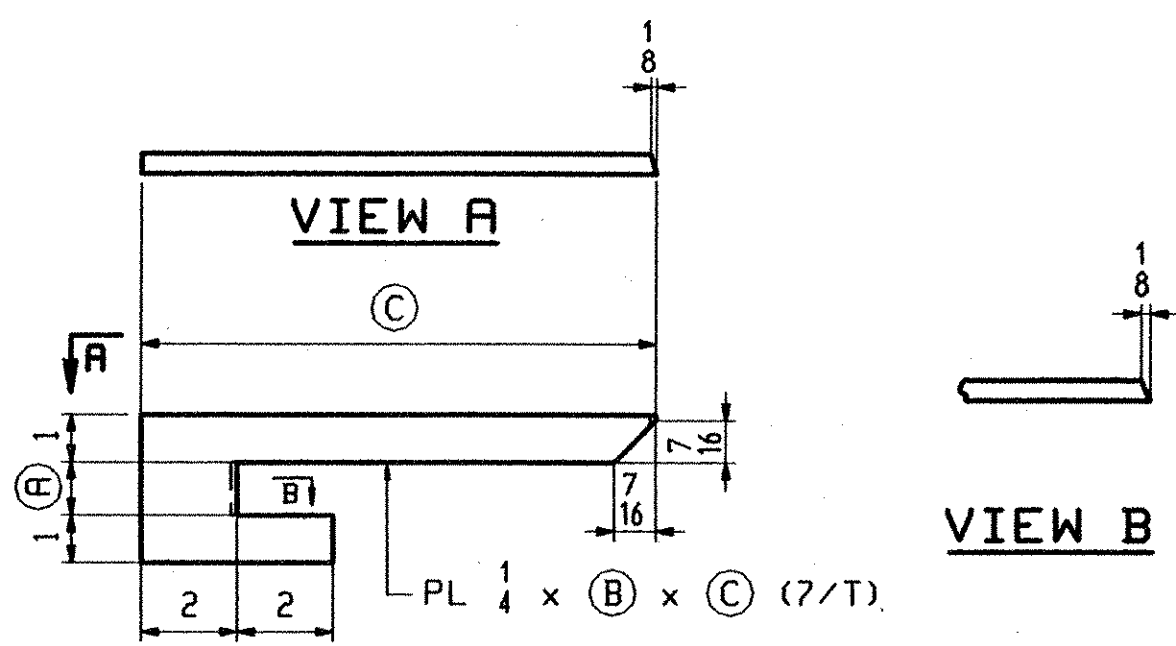
8 ~ x1w
INT



D.O.R.
20 ~ x1c

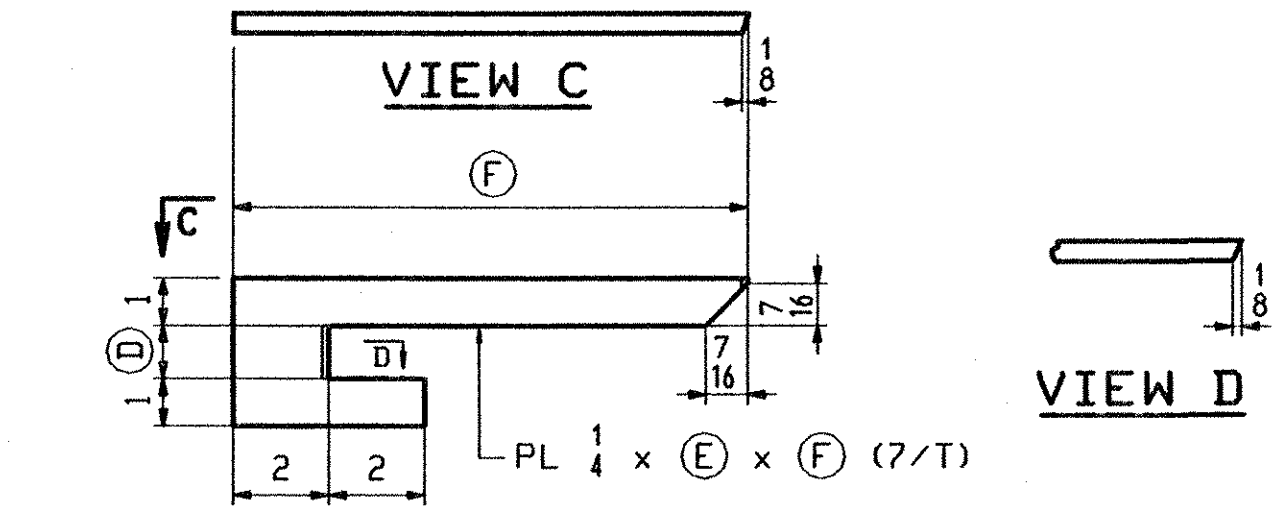


D.O.R.
10 ~ x1d



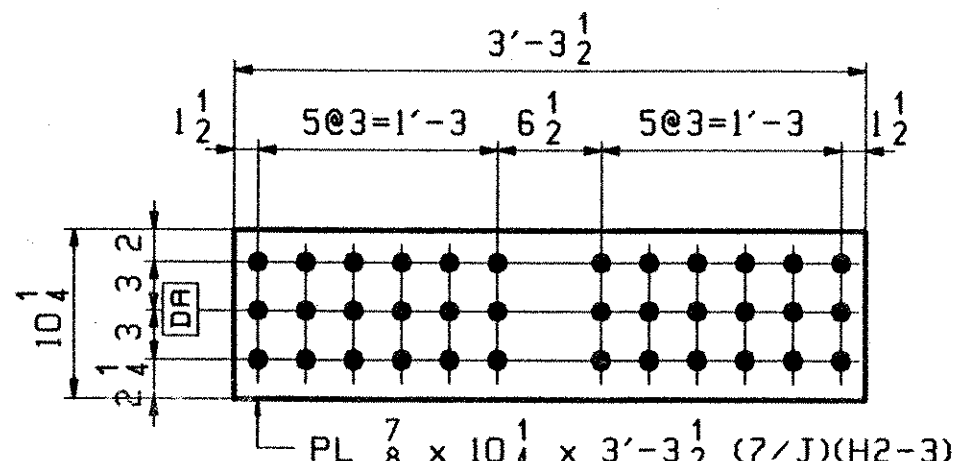
DRIP PL

MARK	REQ'D	(A)	(B)	(C)
x1aa	2	1 1/4	3 1/4	1'-2 7/16
x1ab	2	1 1/2	3 1/2	1'-2 7/16
x1ac	1	1	3	11



DRIP PL

MARK	REQ'D	(D)	(E)	(F)
x1ad	4	1 1/4	3 1/4	1'-2 7/16
x1af	1	1	3	11



D.O.R.
20 ~ x1f

RECEIVED
OK'D BY: DV
AUG 26 2002
RESUBMIT APPROVED
BY: RRU DATE: 9-17-02

NOTES:
FOR GENERAL NOTES SEE GNI
H2-3 DENOTES MATERIAL SUBJECT TO
CHARPY V-NOTCH TESTING.

D.O.R. DENOTES DIRECTION OF MILL ROLLING

OUT FOR APPROVAL	8-23-02									
OUT FOR APPROVAL										
ISSUED TO SHOP										
FIELD & OFFICE										

REV.	REMARKS	DATE	DWN	CHK	APP	Q.A.	NO.	DIA.	LGT	TYPE	WASHER
MATERIAL:	ELECTRODES:	HOLES:	SHOP BOLTS:								
M270-50W		15/16" (UN)									

SURFACE PREP. & PAINT:
-STEEL WITHIN 10'-0" ENDS OF GIRDERS SHALL BE PAINTED (SEE GNI)
-ALL OTHER STEEL SHALL BE BLAST CLEANED AND LEFT UNPAINTED.

DESCRIPTION:	GIRDER STANDARDS	DRAWN BY	DATE
JOB:	VT RTE 9 OVER THE DEERFIELD RIVER	ATD	08/07
	BRIDGE NO. 25	CHKD BY	
	SEARSBURG, VERMONT	DO	08/10
	CONTRACTOR: J.A. McDONALD	APPROV BY	
		SUPERVISOR	M. J. GATTI
PROJ NO.	PROJ. NHF 010-1(18)	Q.A.	

CUSTOMER: VERMONT AGENCY OF TRANSPORTATION			
CASCO BAY STEEL STRUCTURES, INC.	JOB NO.	DRG. NO.	
75 SPRING HILL ROAD	165	X1	
PHONE (207) 282-7360	SACO, MAINE 04072		REV. Δ
	FAX. (207) 282-1179		