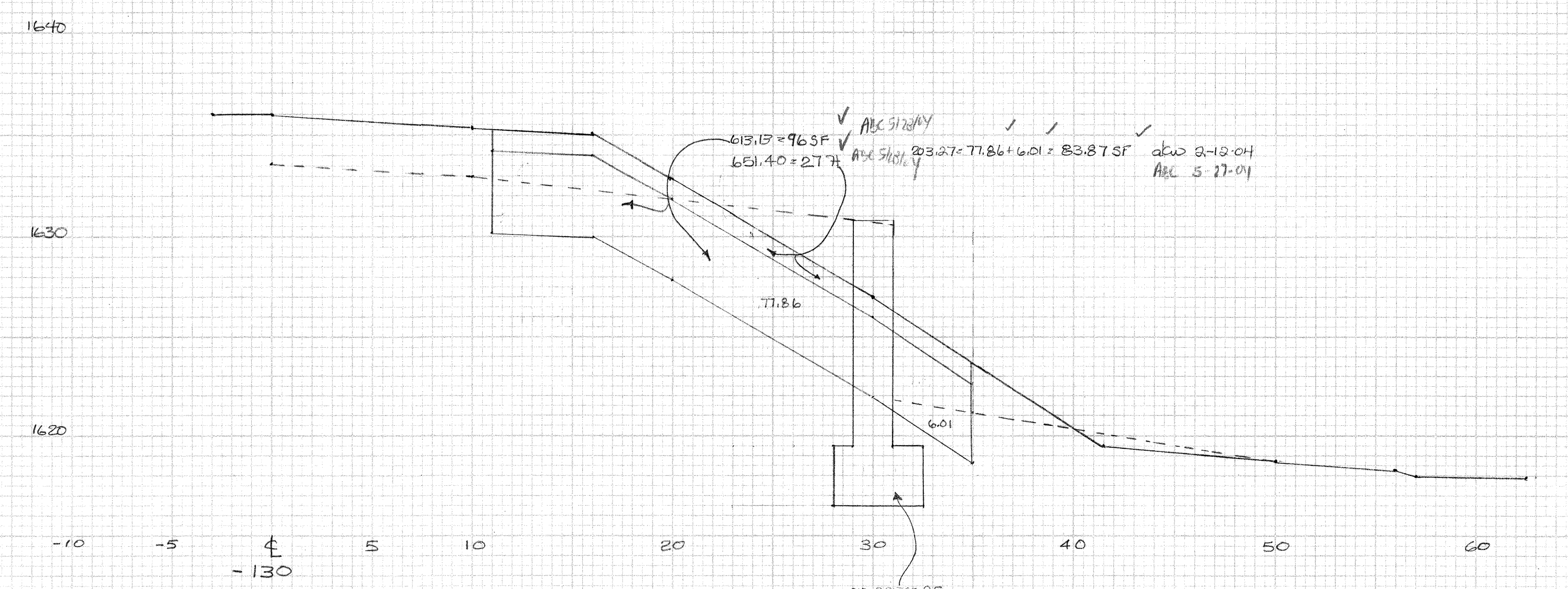
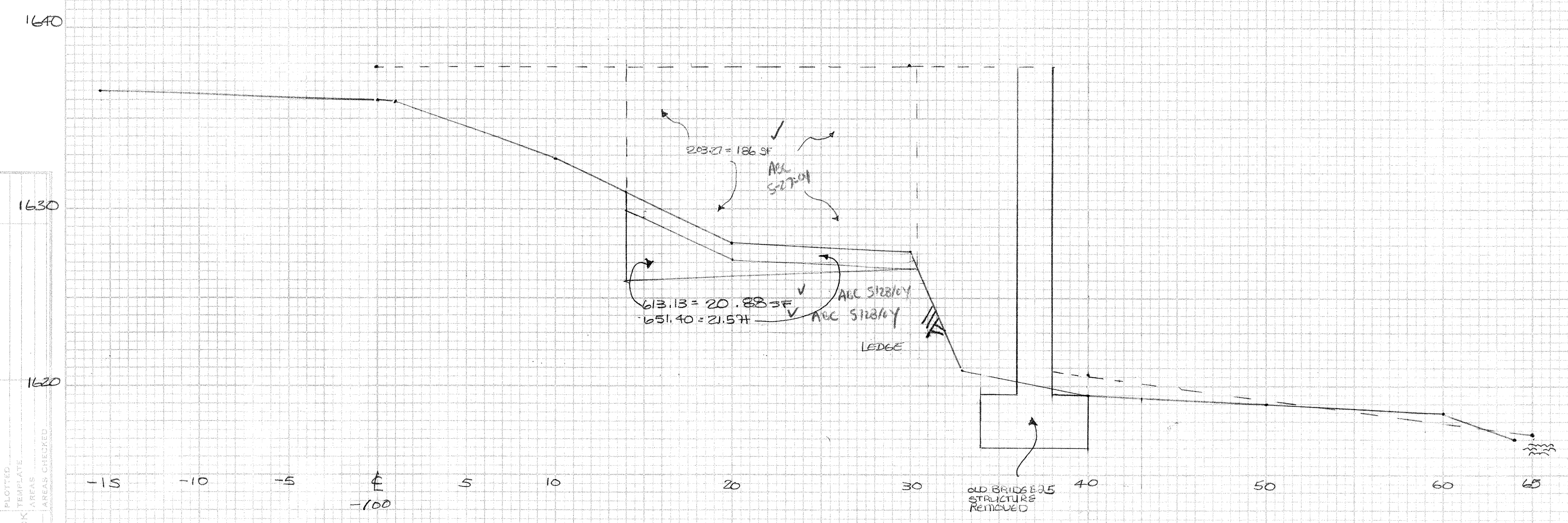
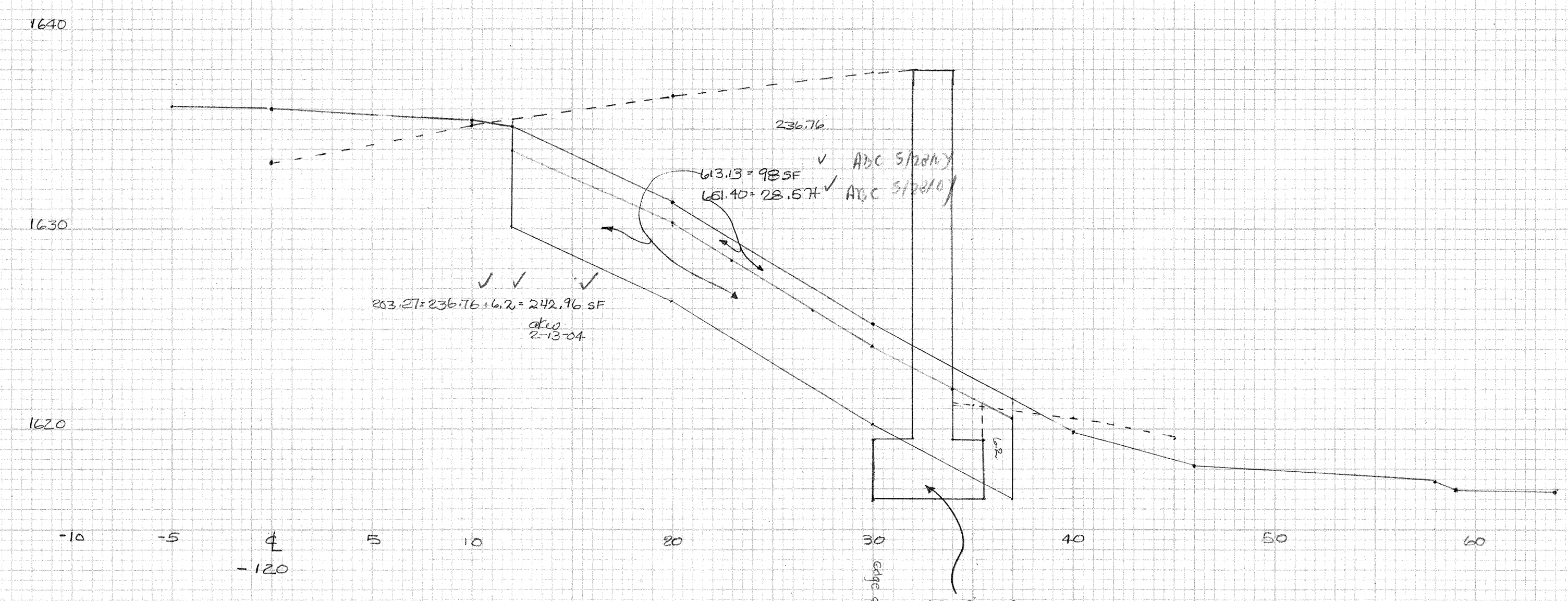
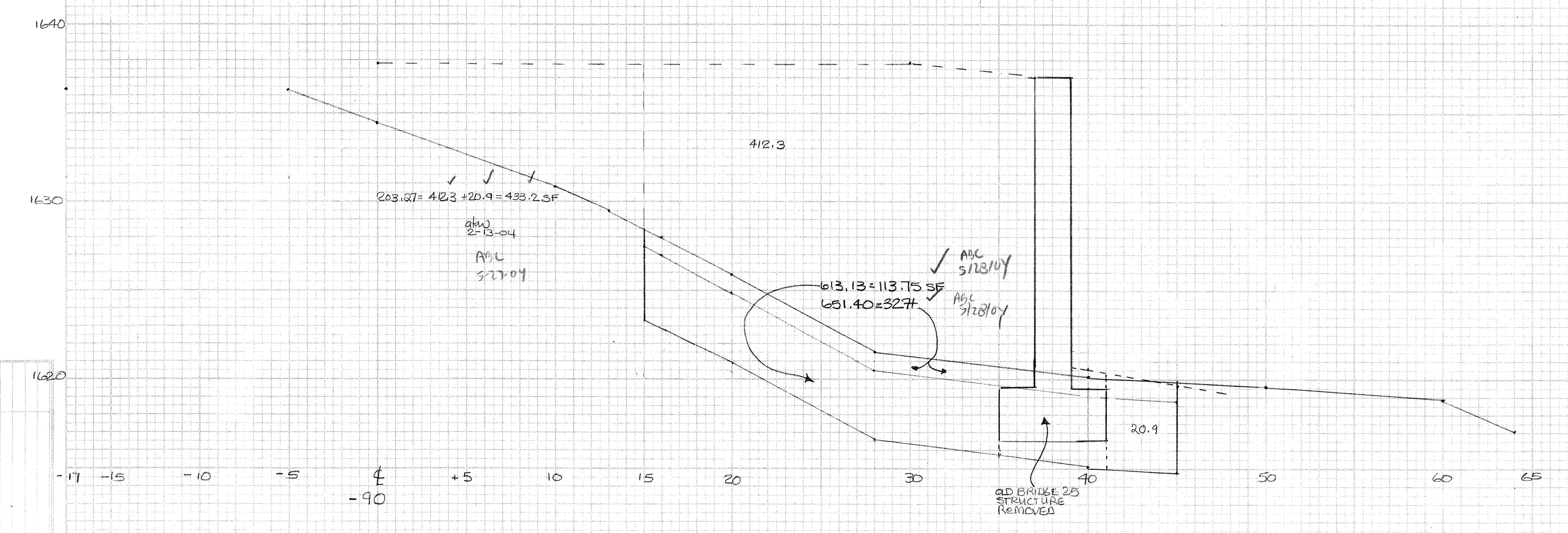


FINAL SURVEY  
DATE: 1630  
BY: [blank]  
SURVEYED: [blank]  
PLOTTER: [blank]  
NOTE BOOK: [blank]  
NO. [blank]  
AREA: [blank]



ORIGINAL SURVEY  
DATE: 1640  
BY: [blank]  
SURVEYED: [blank]  
PLOTTER: [blank]  
NOTE BOOK: [blank]  
NO. [blank]  
AREA: [blank]



ORIGINAL SURVEY  
DATE: 1640  
BY: [blank]  
SURVEYED: [blank]  
PLOTTER: [blank]  
NOTE BOOK: [blank]  
NO. [blank]  
AREA: [blank]

