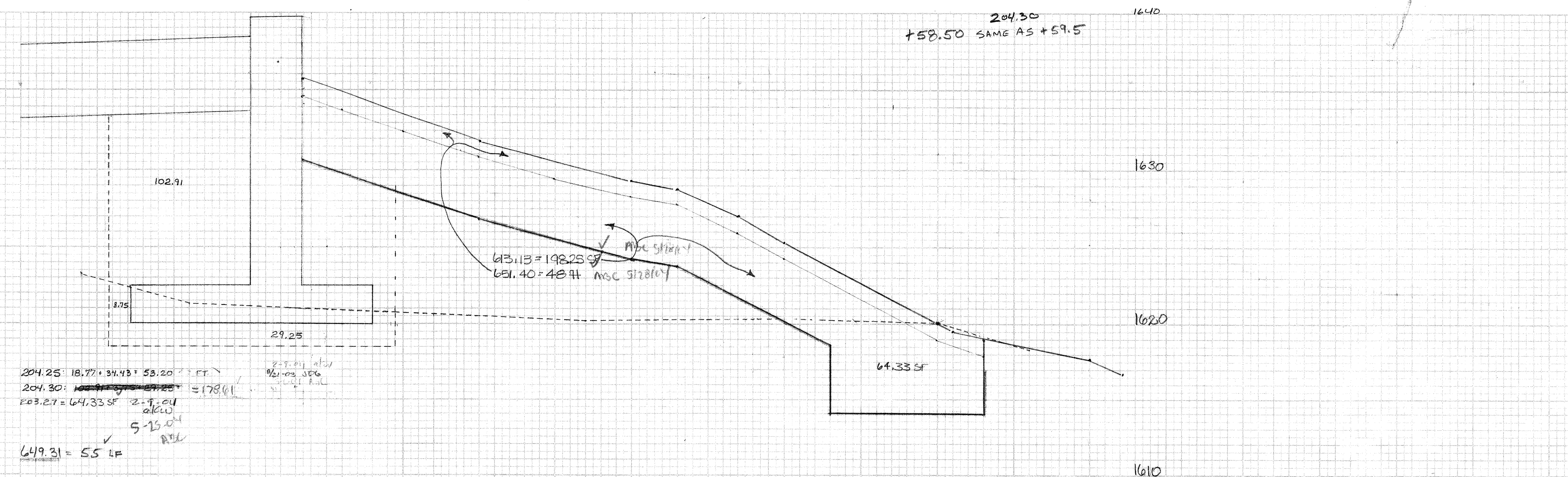
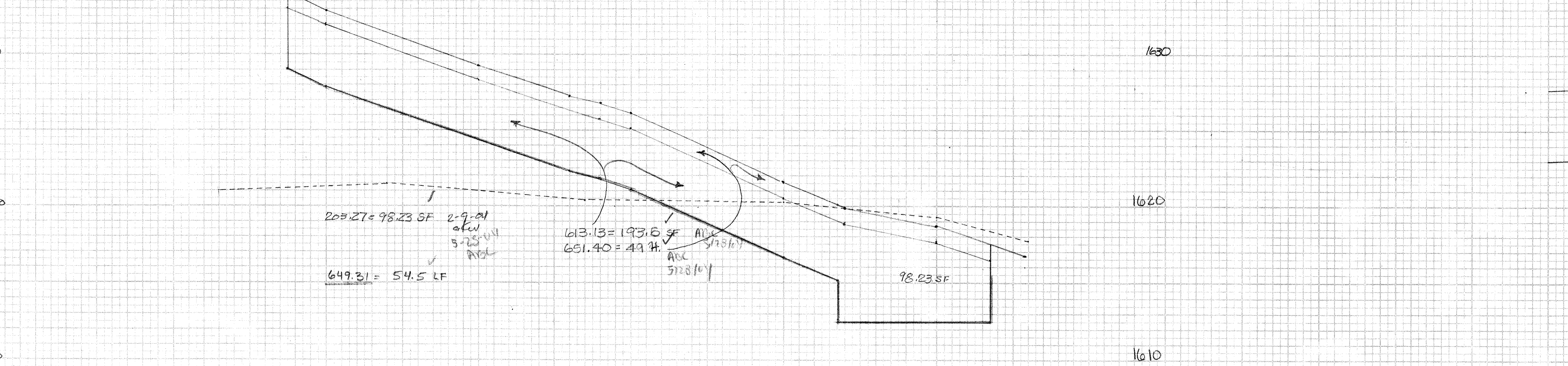


SCALE: 1:5  
 XBR25-7



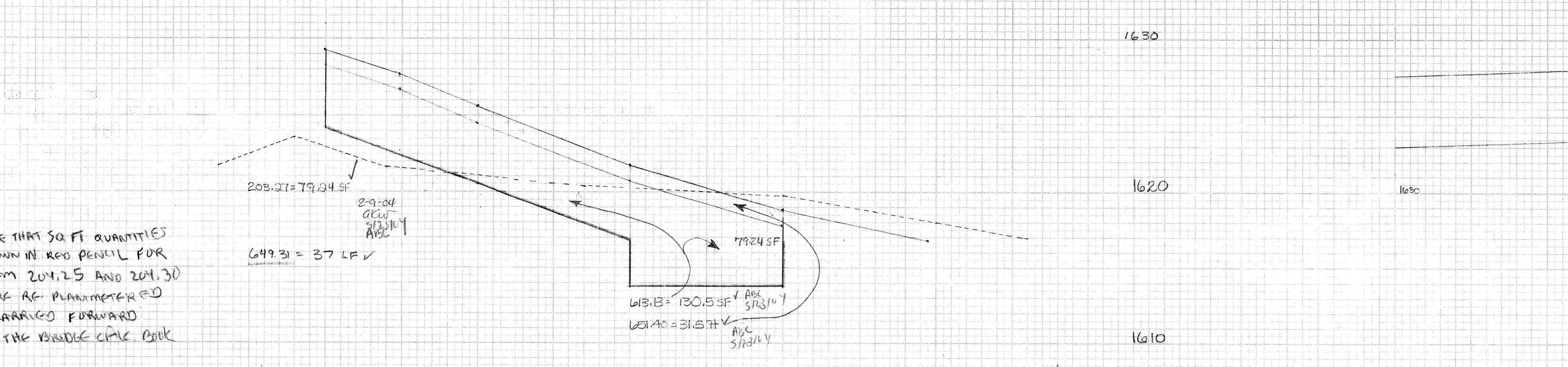
204.25: 18.77 + 34.93 + 53.20 = 106.90  
 204.30: 18.77 + 34.93 + 53.20 = 106.90  
 203.27: 64.33 SF  
 2.9-01  
 5-25-01  
 649.31 = 55 LF

1640  
 1630  
 1620  
 1610  
 0  
 +59.5



204.25: 18.77 + 34.93 + 53.20 = 106.90  
 204.30: 18.77 + 34.93 + 53.20 = 106.90  
 203.27: 98.23 SF  
 2.9-01  
 5-25-01  
 649.31 = 54.5 LF

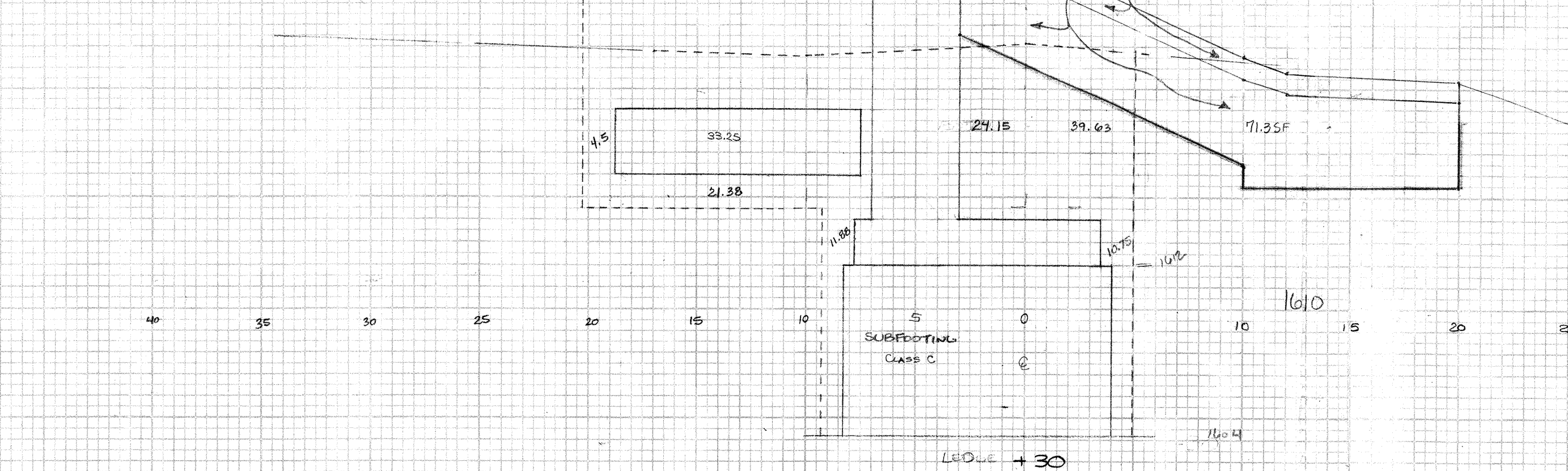
1640  
 1630  
 1620  
 1610  
 0  
 +70.5



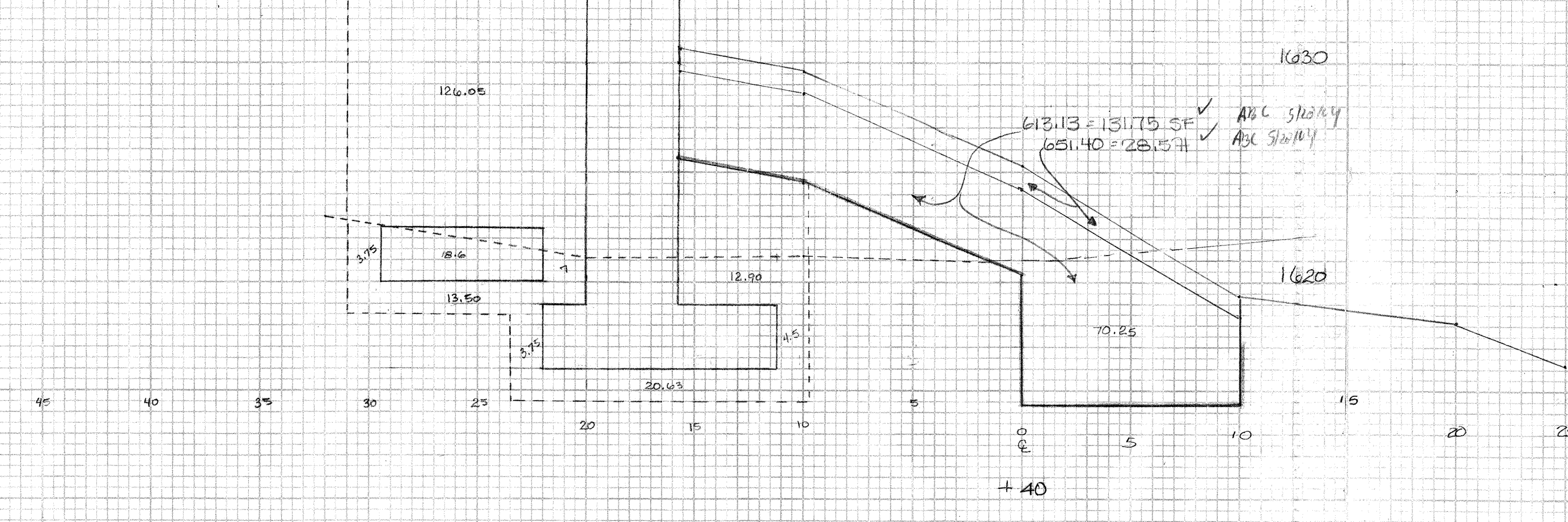
204.25: 18.77 + 34.93 + 53.20 = 106.90  
 204.30: 18.77 + 34.93 + 53.20 = 106.90  
 203.27: 79.24 SF  
 2.9-01  
 5-25-01  
 649.31 = 37 LF

1640  
 1630  
 1620  
 1610  
 0  
 +91 ZERO FABRIC - 649.31

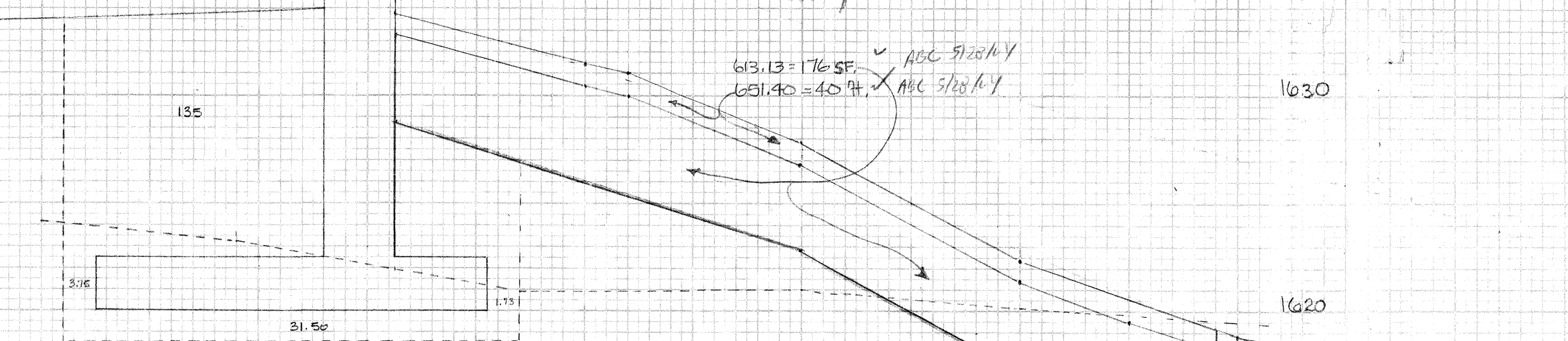
204.25: 74.31 + 73.5 + 36.75 + 146.04 + 330.62 = 561.22  
 204.30: 74.31 + 73.5 + 36.75 + 146.04 + 330.62 = 561.22  
 203.27: 71.3 SF  
 2.9-01  
 5-25-01  
 649.31 = 28.5 LF



204.25: 74.31 + 73.5 + 36.75 + 146.04 + 330.62 = 561.22  
 204.30: 74.31 + 73.5 + 36.75 + 146.04 + 330.62 = 561.22  
 203.27: 10.25 SF  
 2.9-01  
 5-25-01  
 649.31 = 36 LF



204.25: 74.31 + 73.5 + 36.75 + 146.04 + 330.62 = 561.22  
 204.30: 74.31 + 73.5 + 36.75 + 146.04 + 330.62 = 561.22  
 203.27: 10.25 SF  
 2.9-01  
 5-25-01  
 649.31 = 36 LF



204.25: 74.31 + 73.5 + 36.75 + 146.04 + 330.62 = 561.22  
 204.30: 74.31 + 73.5 + 36.75 + 146.04 + 330.62 = 561.22  
 203.27: 66.65 SF  
 2.9-01  
 5-25-01  
 649.31 = 47 LF

NOTE THAT SQ FT QUANTITIES SHOWN IN RED PENCIL FOR ITEM 204.25 AND 204.30 WERE RE-PLANNED AND CARRIED FORWARD IN THE BIDDING CIRC BOOK

apcp 2/1/05