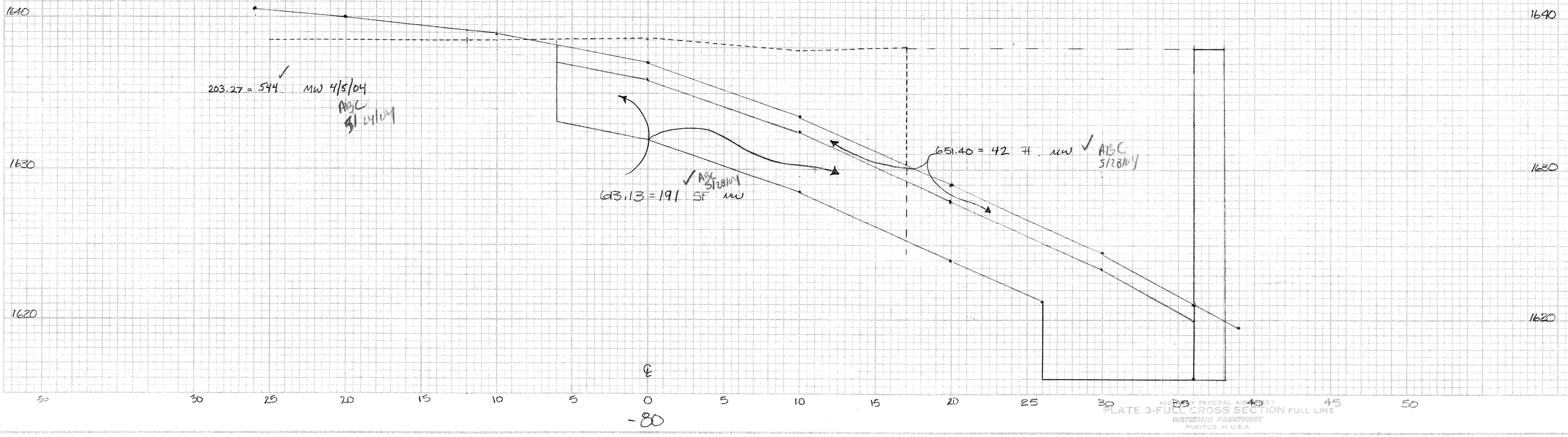
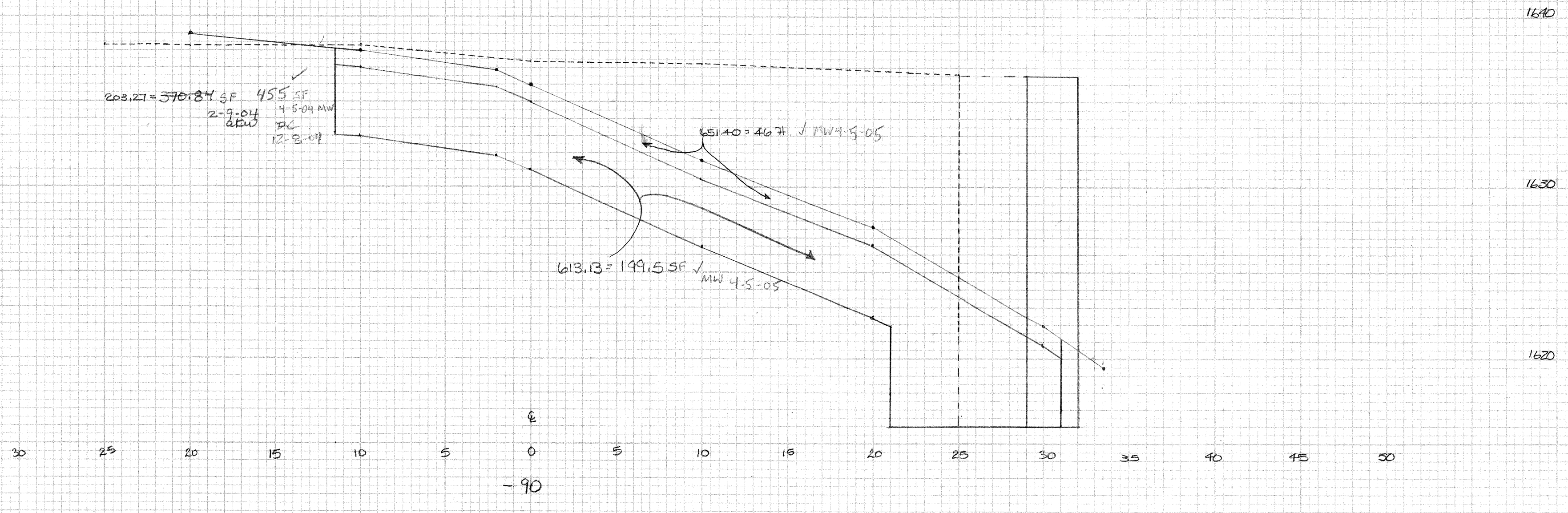
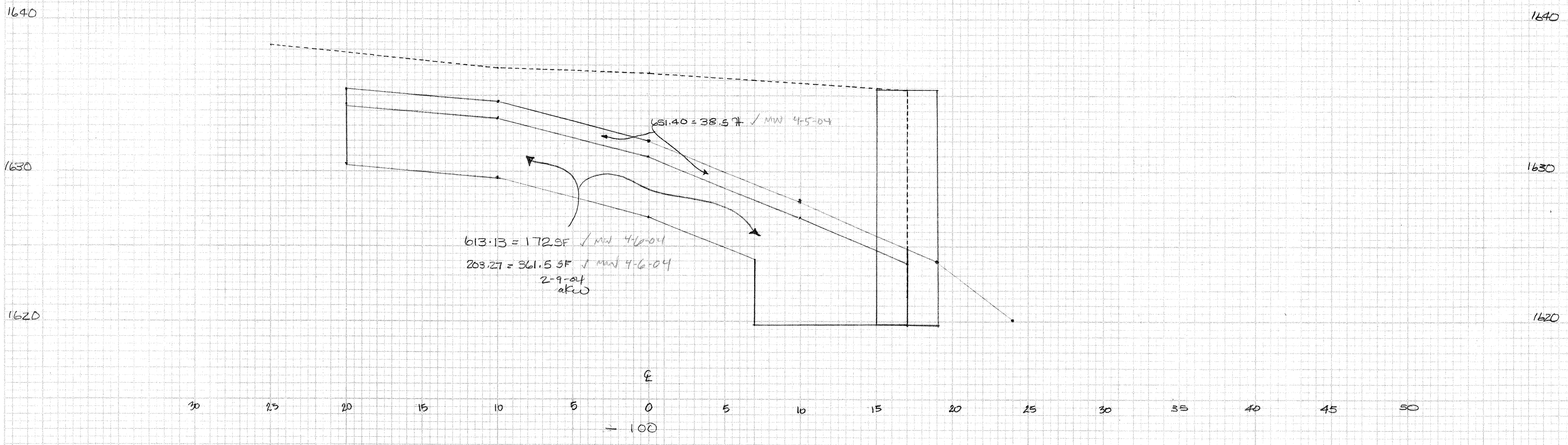


FINAL SURVEY
 DATE: _____
 BY: _____
 SURVEYED: _____
 PLOTTED: _____
 NOTE BOOK: _____
 AREA: _____
 NO. _____



ORIGINAL SURVEY
 DATE: _____
 BY: _____
 SURVEYED: _____
 PLOTTED: _____
 NOTE BOOK: _____
 AREA: _____
 NO. _____