

Solid Rock Excavation  
Item 203.16

Drilling & Blasting  
Solid Rock Subgrade  
Item 205.20

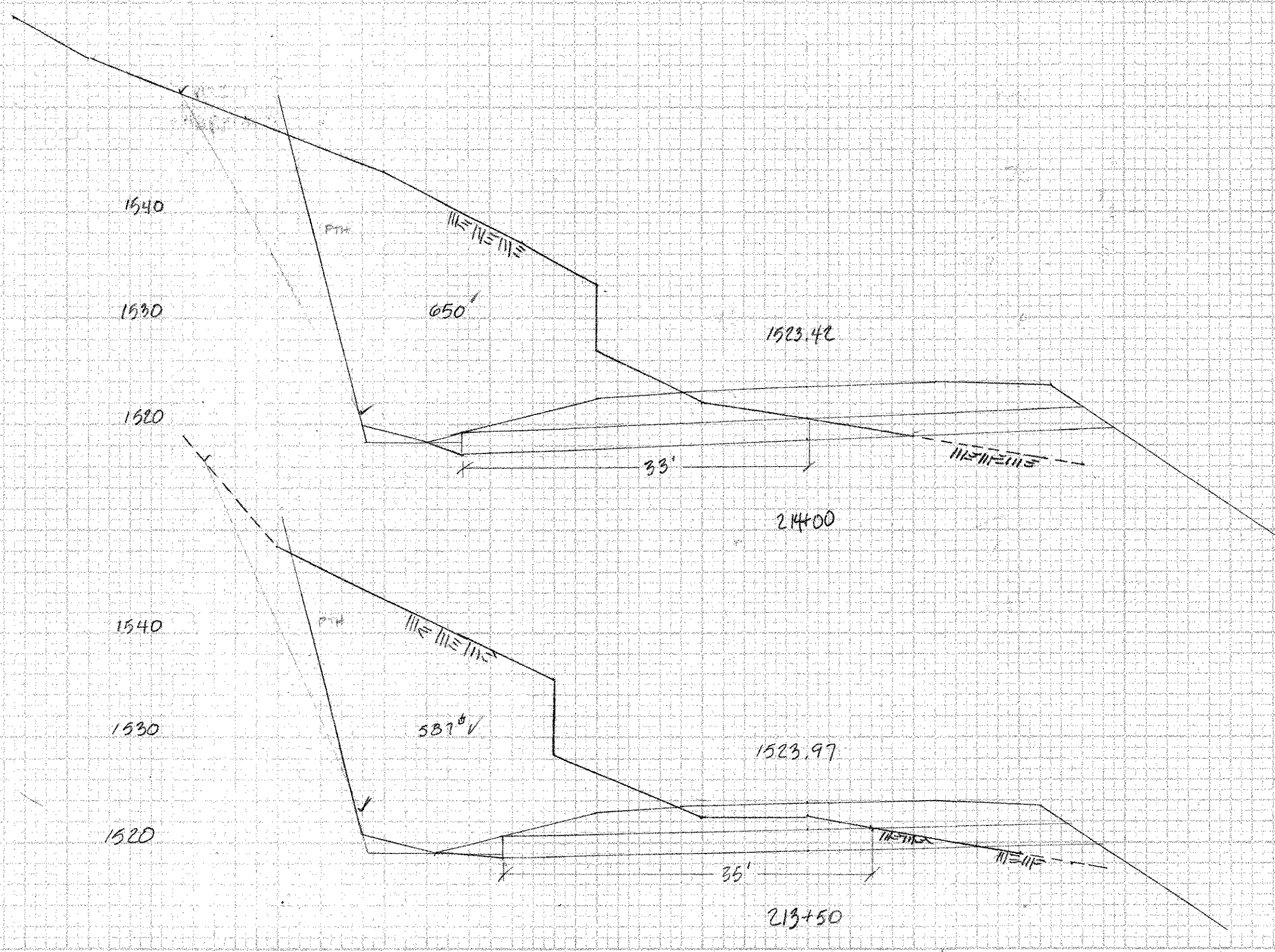
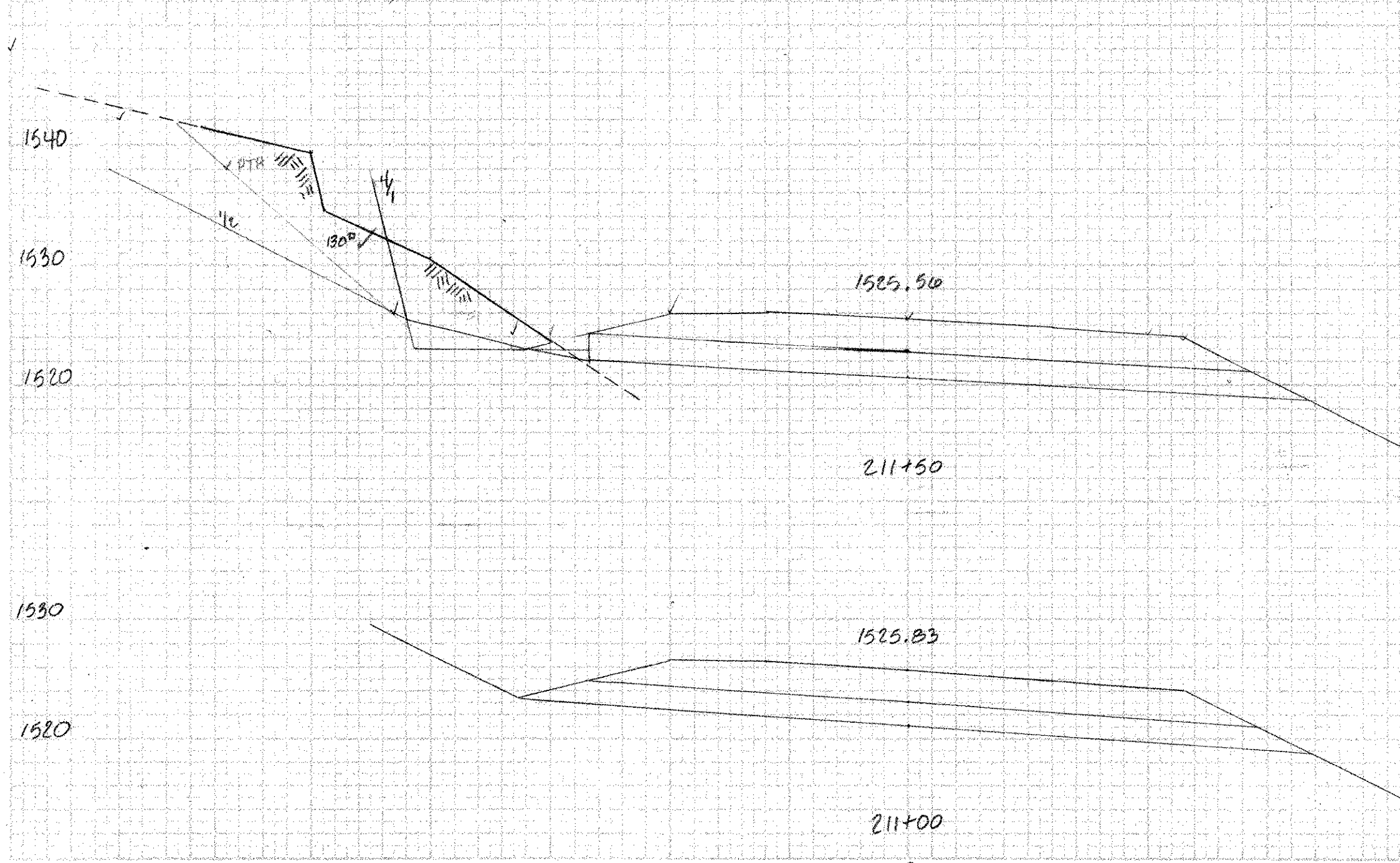
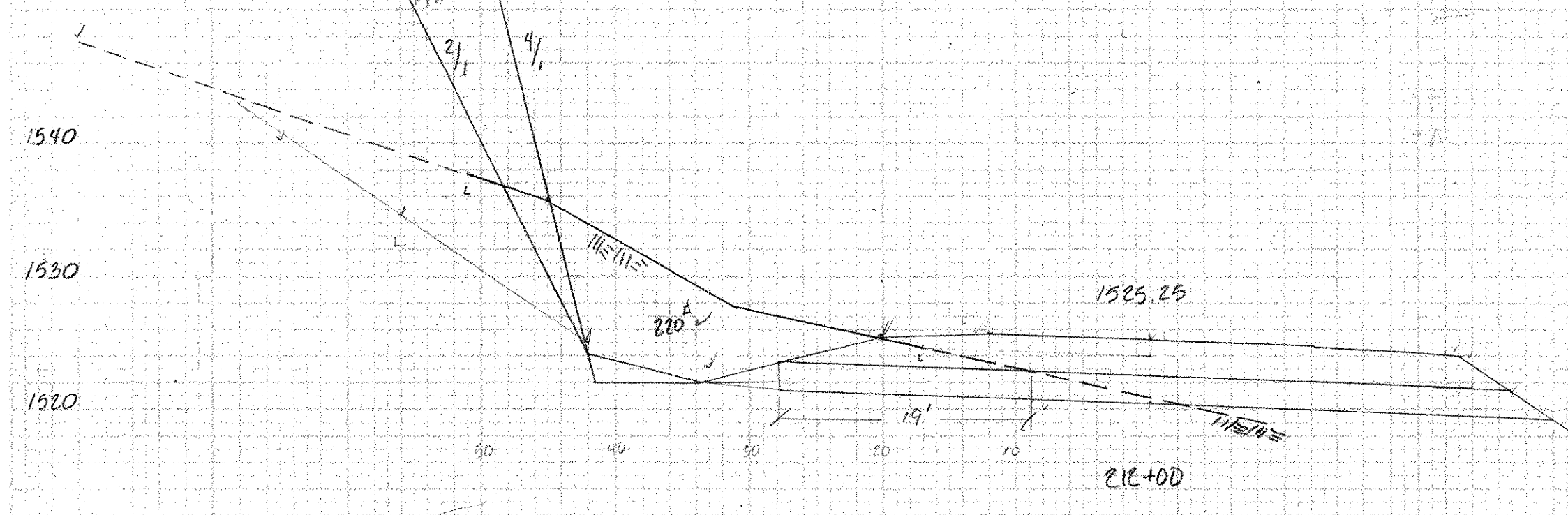
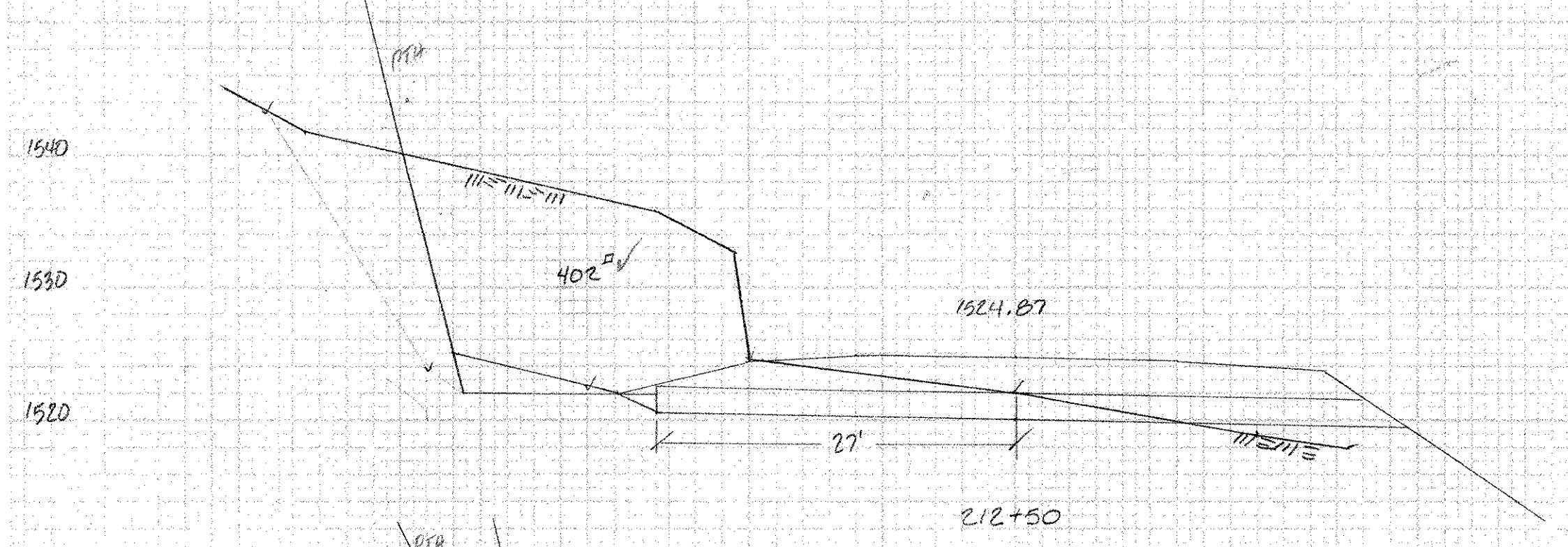
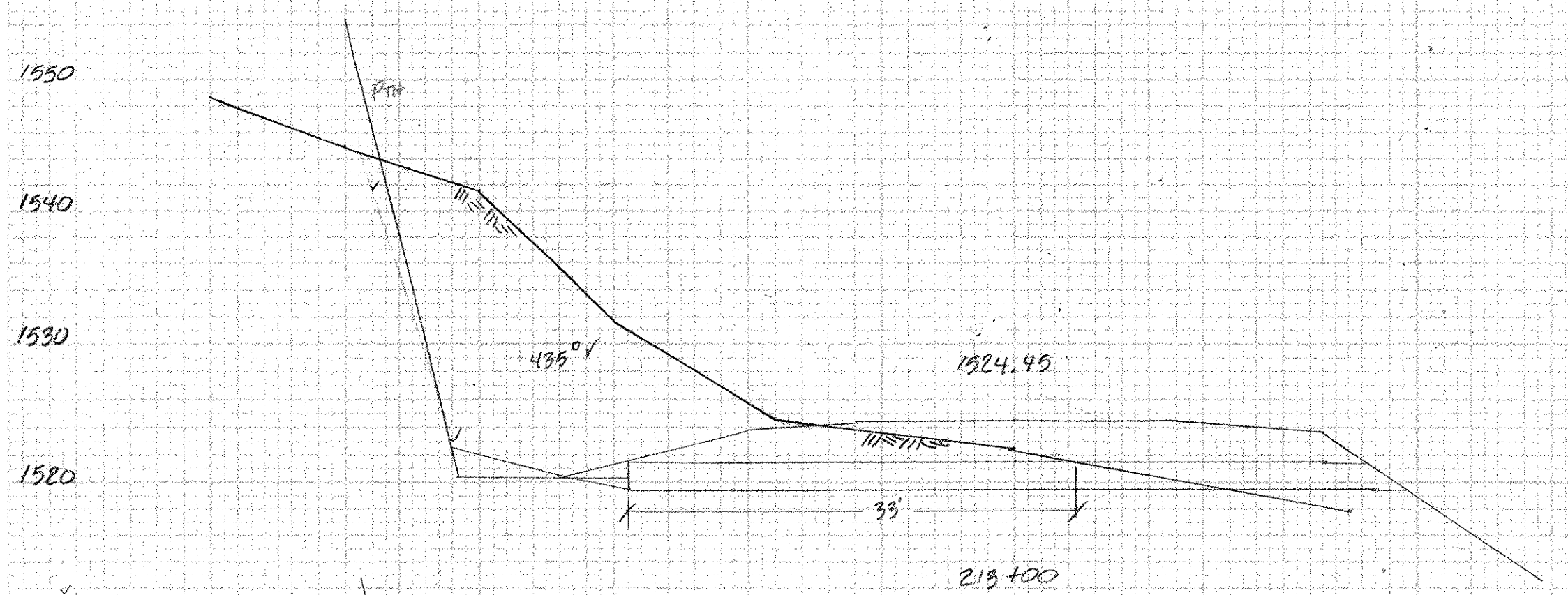
Sta	Area (sq)	Dist	Vol. (cy)	width (ft)	Area (sq)
211+00	0				
211+50	130	50'	120.4	0	52.8
212+00	220	50'	324.1	19	127.8
212+50	402	50'	575.9	27	166.7
213+00	435	50'	775.0	33	188.9
213+50	587	50'	946.3	35	188.9
214+00	690	50'	1145.4	33	186.1
+25	695	25	621.8		186.1
+50	708	25	648.6	34	
+75	722	25	662.0		186.1
215+00	862	25	694.4	33	
+25	825	25	503.2		186.1
+50	450	25	451.4	34	
+75	398	25	374.1		94.8
216+00	0	25	165.7	0	

Book 1 PAGE 71

7908.3 cy 10/16/03  
Outg

1377.8 sq  
relojos  
Outg  
Ved  
AEC  
4/25/09

Book 1A PAGE 59



SEARSBURG - WILMINGTON  
NH-F010-1(18)  
Searsburg - Wilmington  
Ledge  
Sta. 211+00  
~ 214+00  
SHEET. 390A OF 435