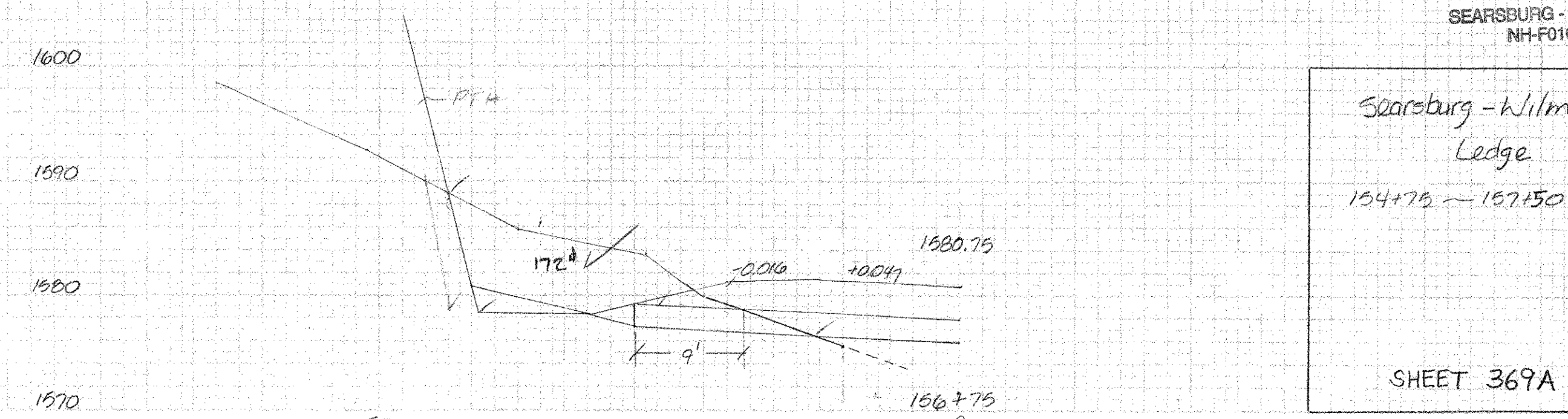
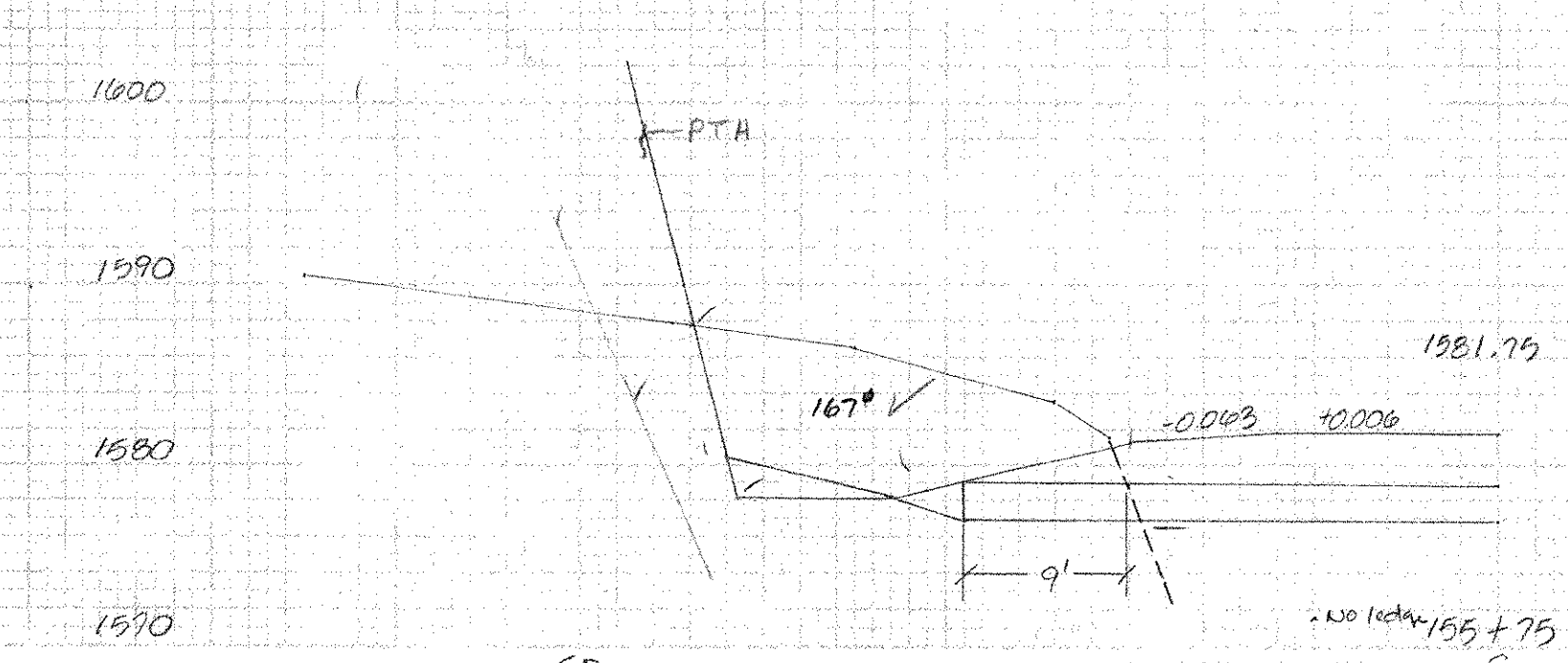
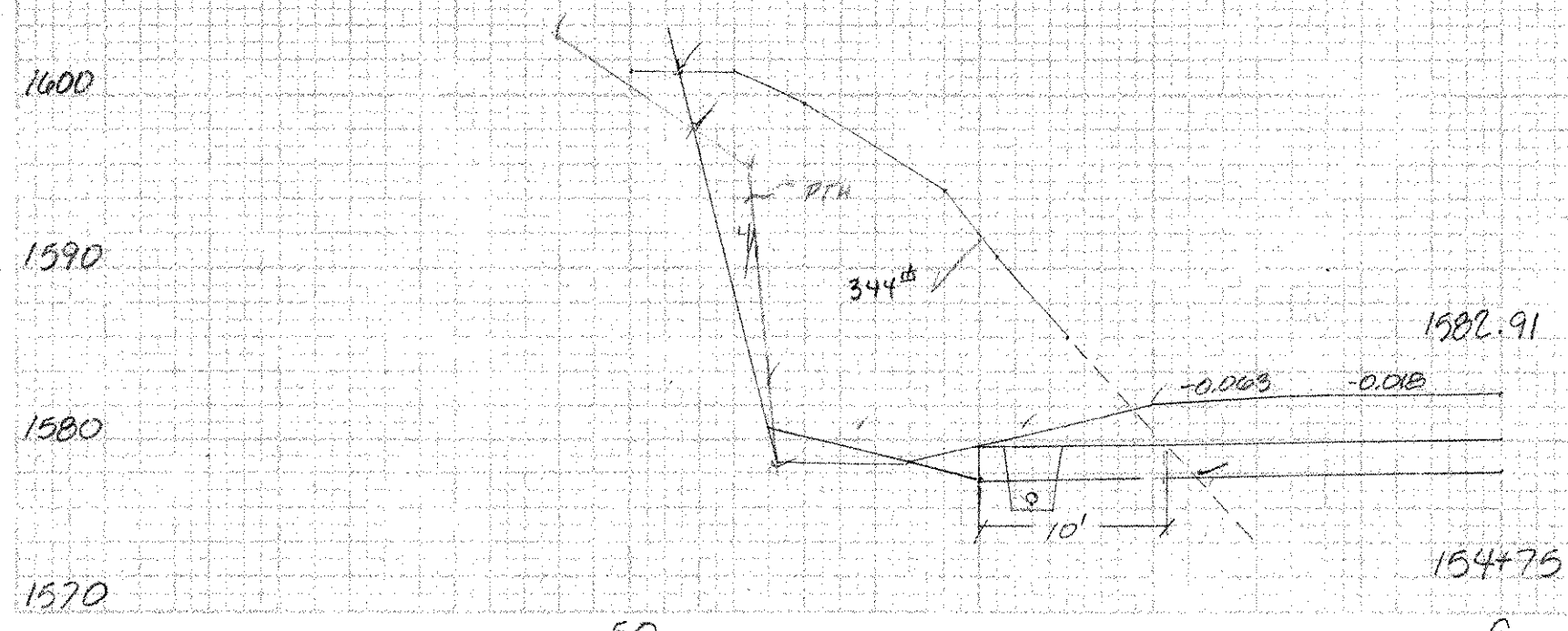
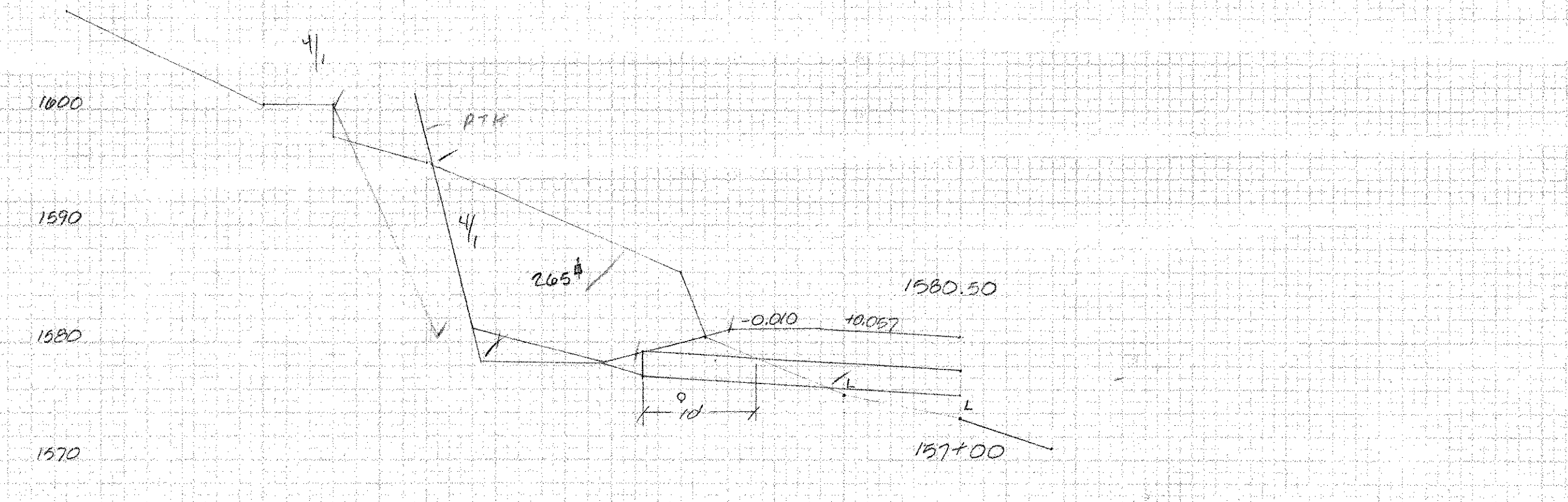
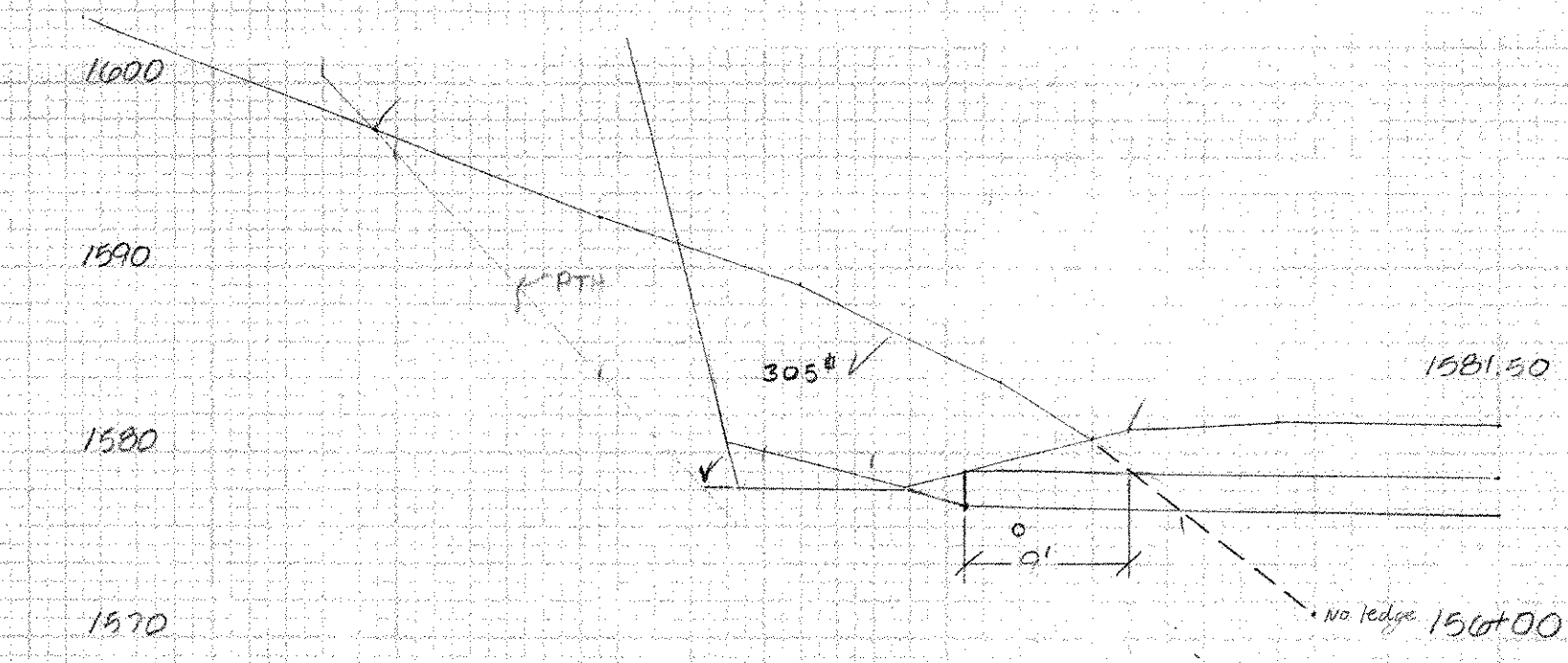
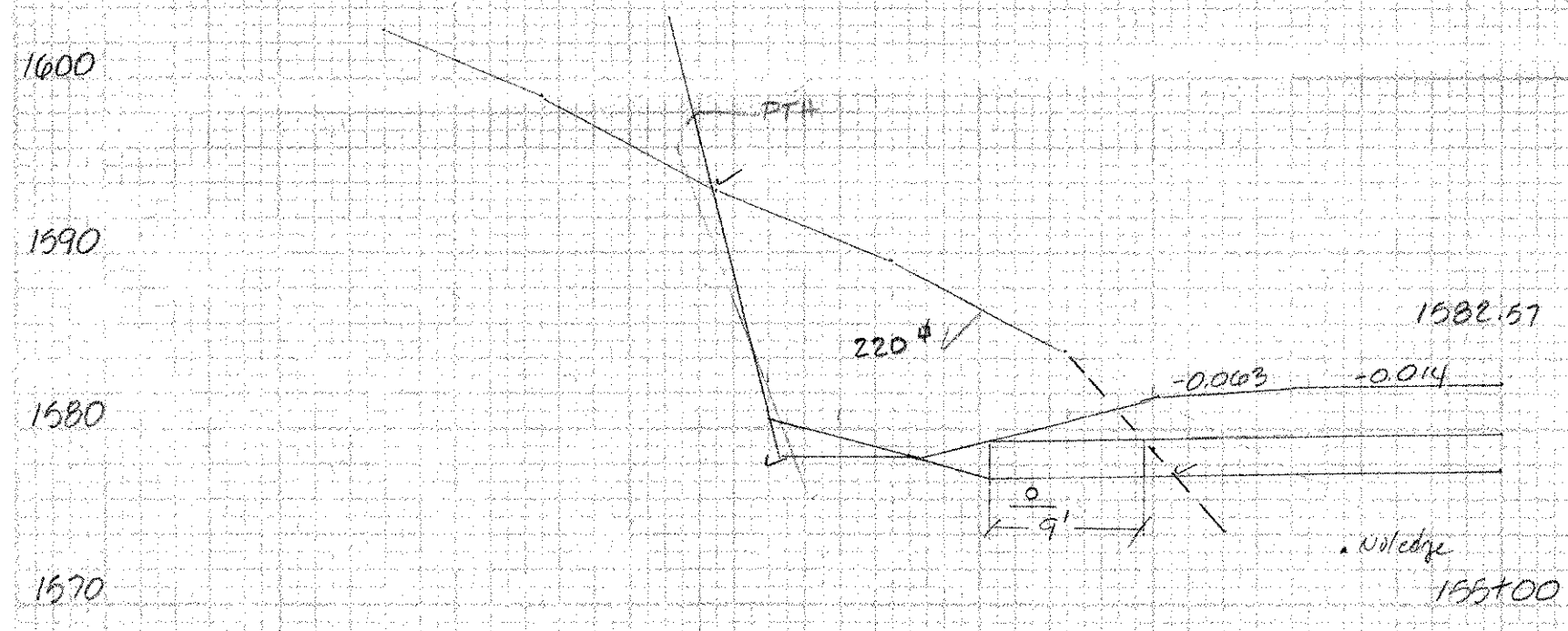
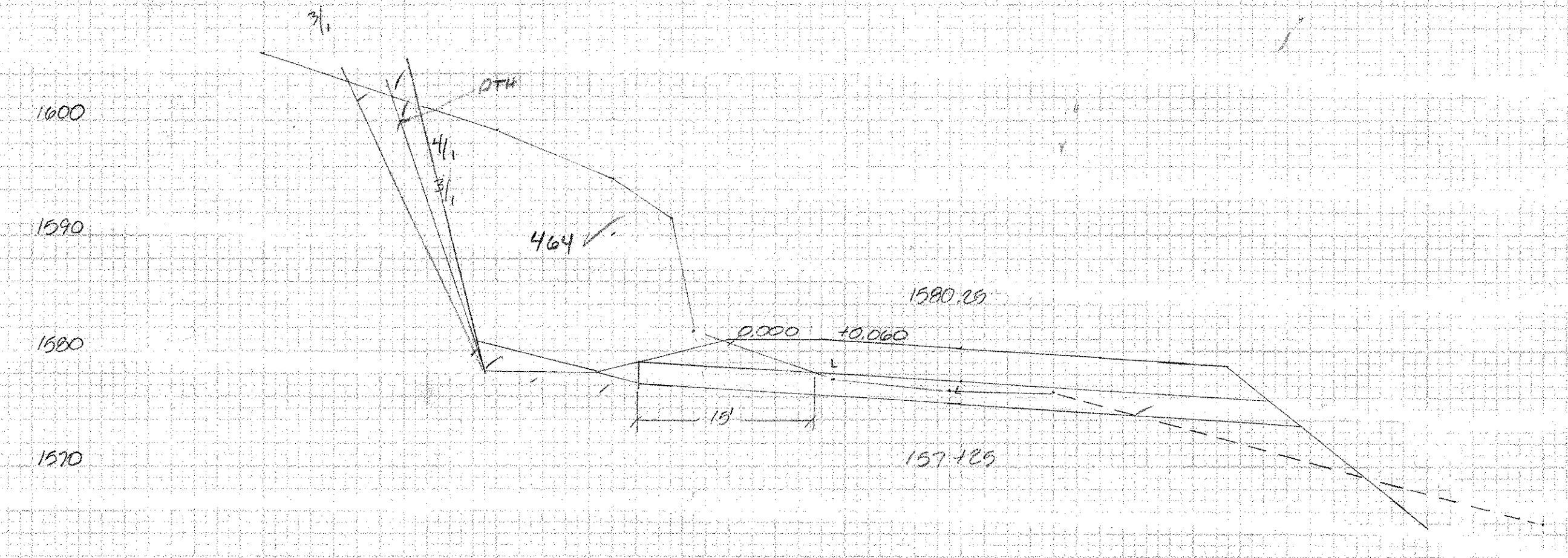
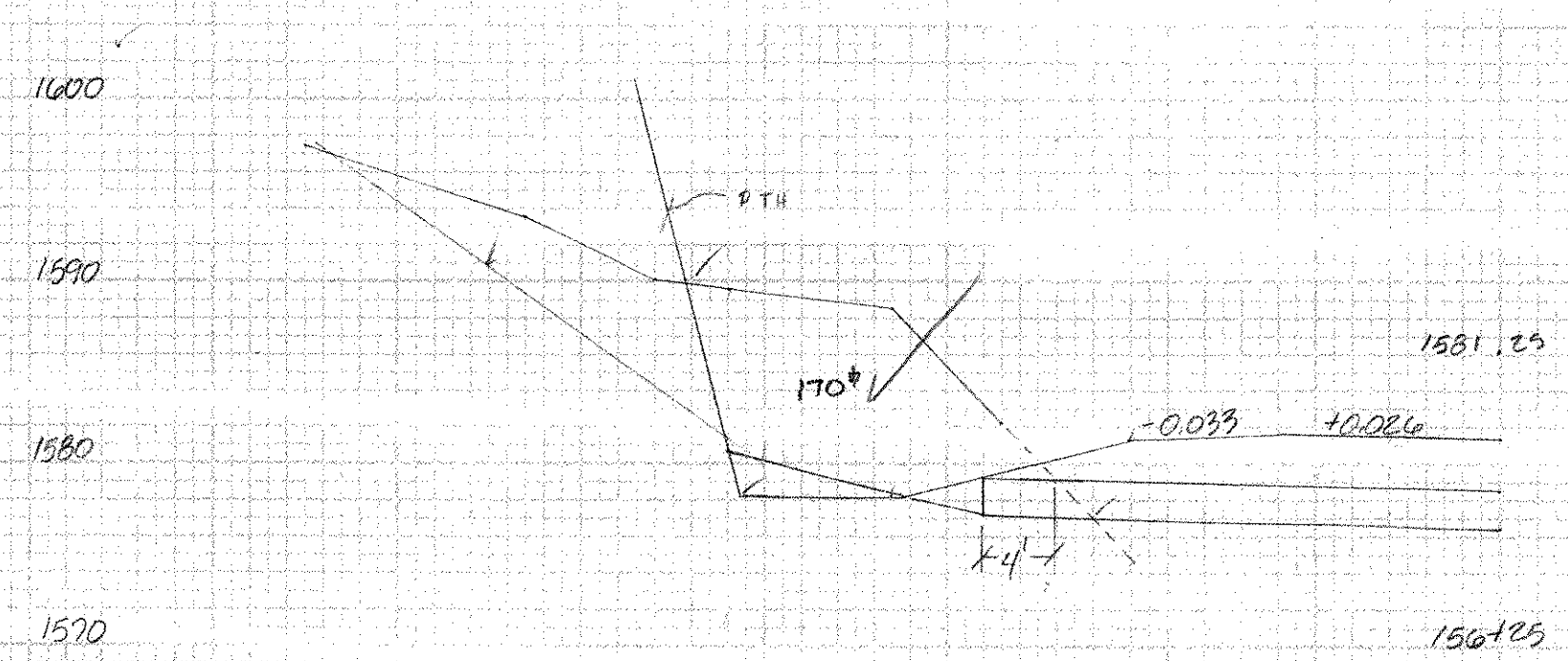
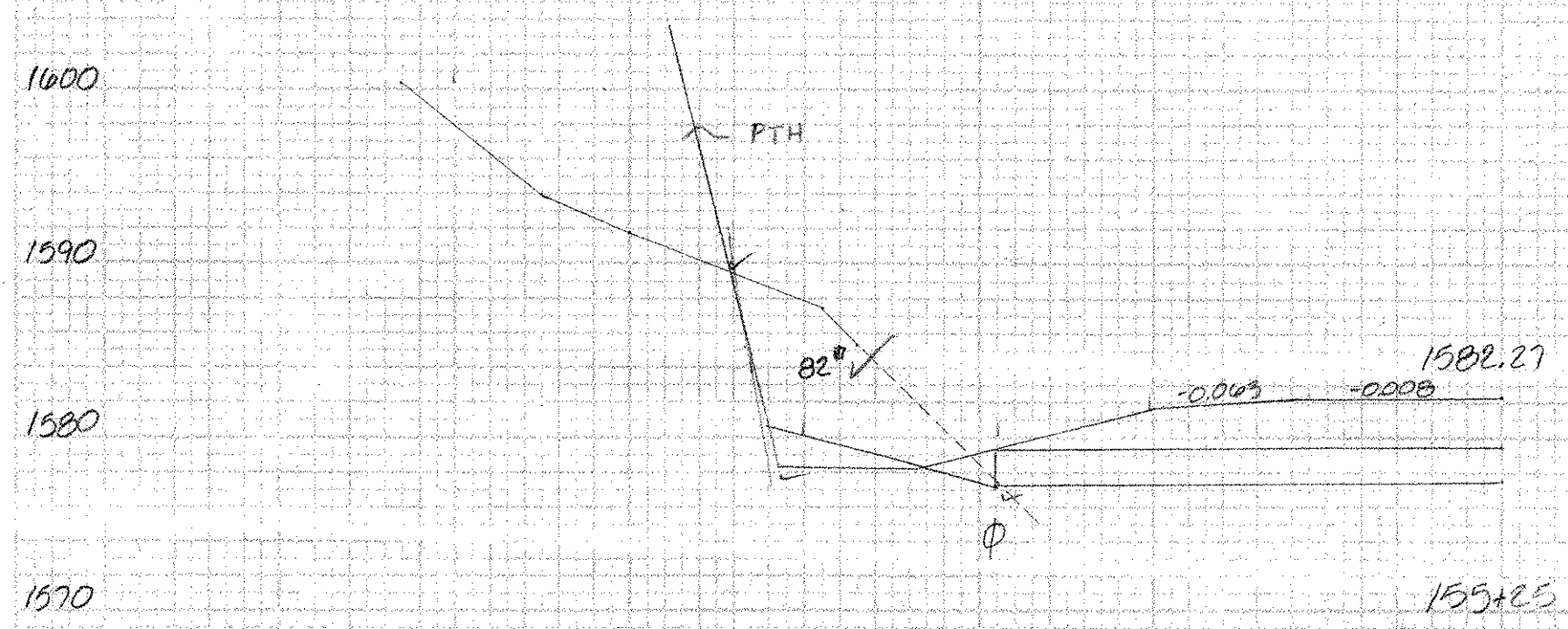
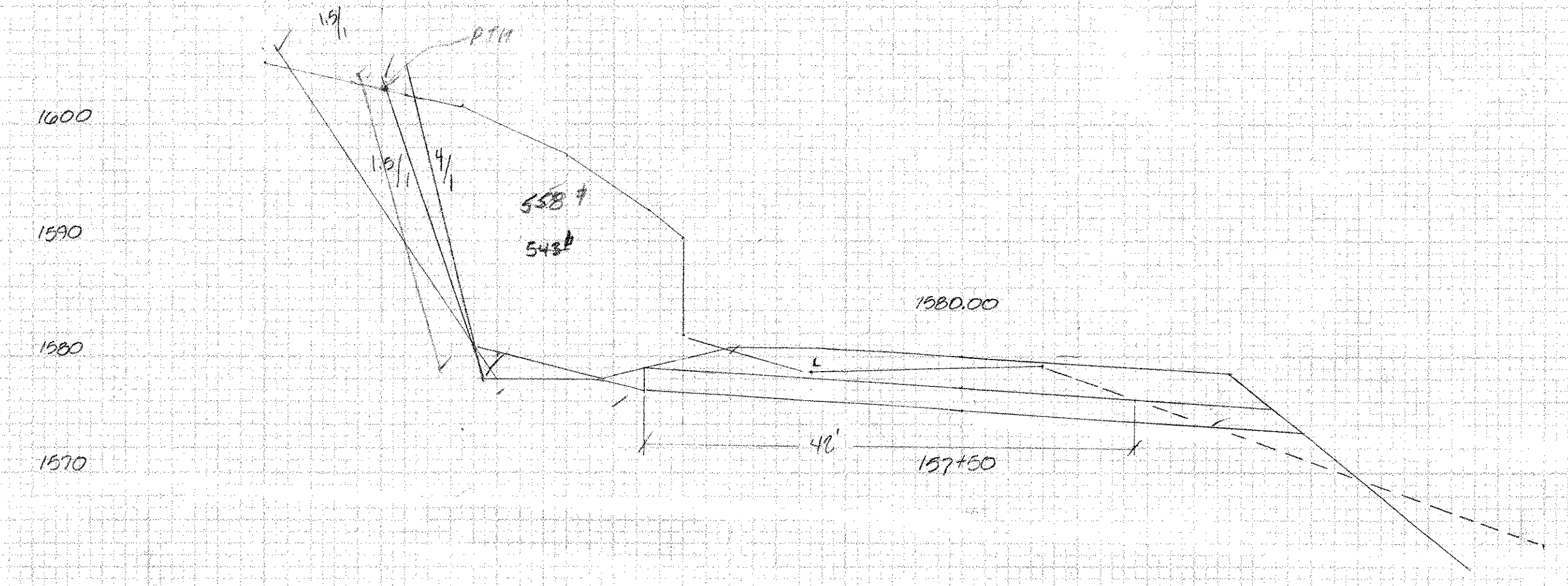
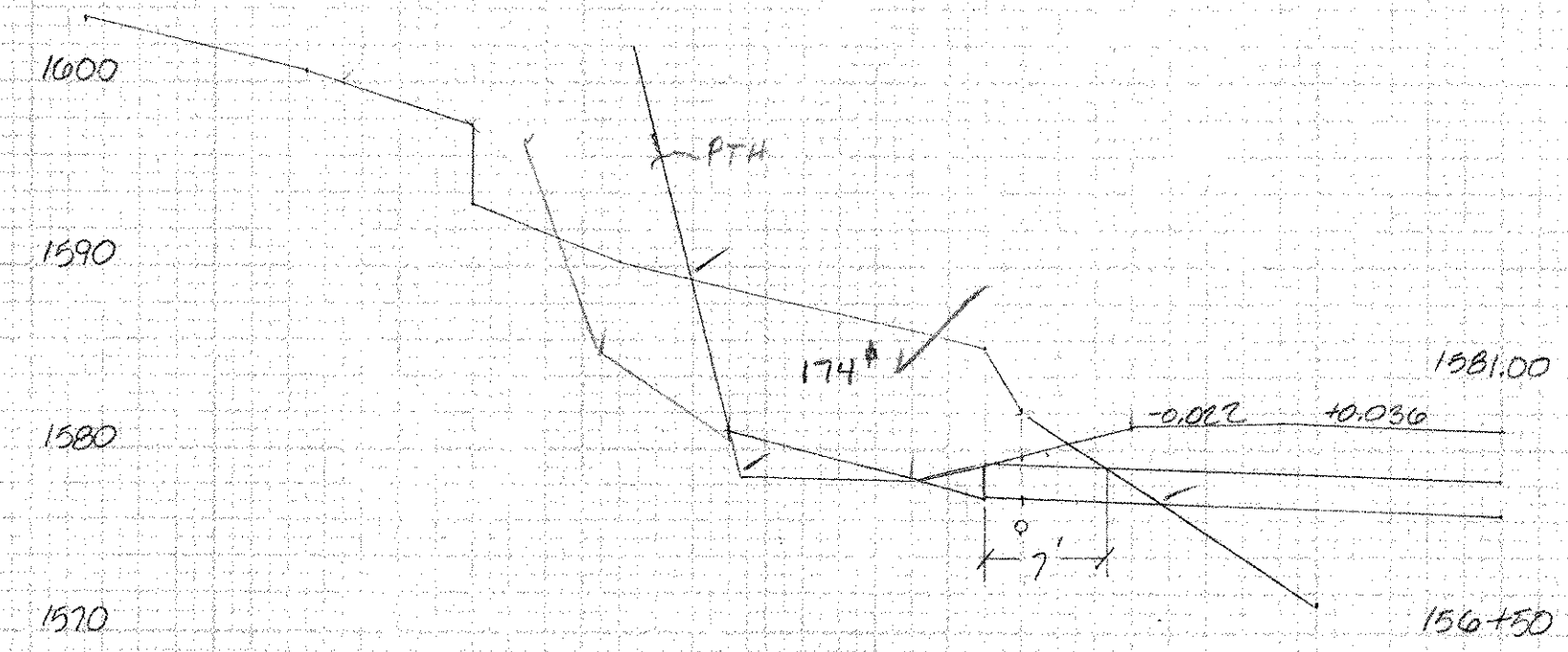
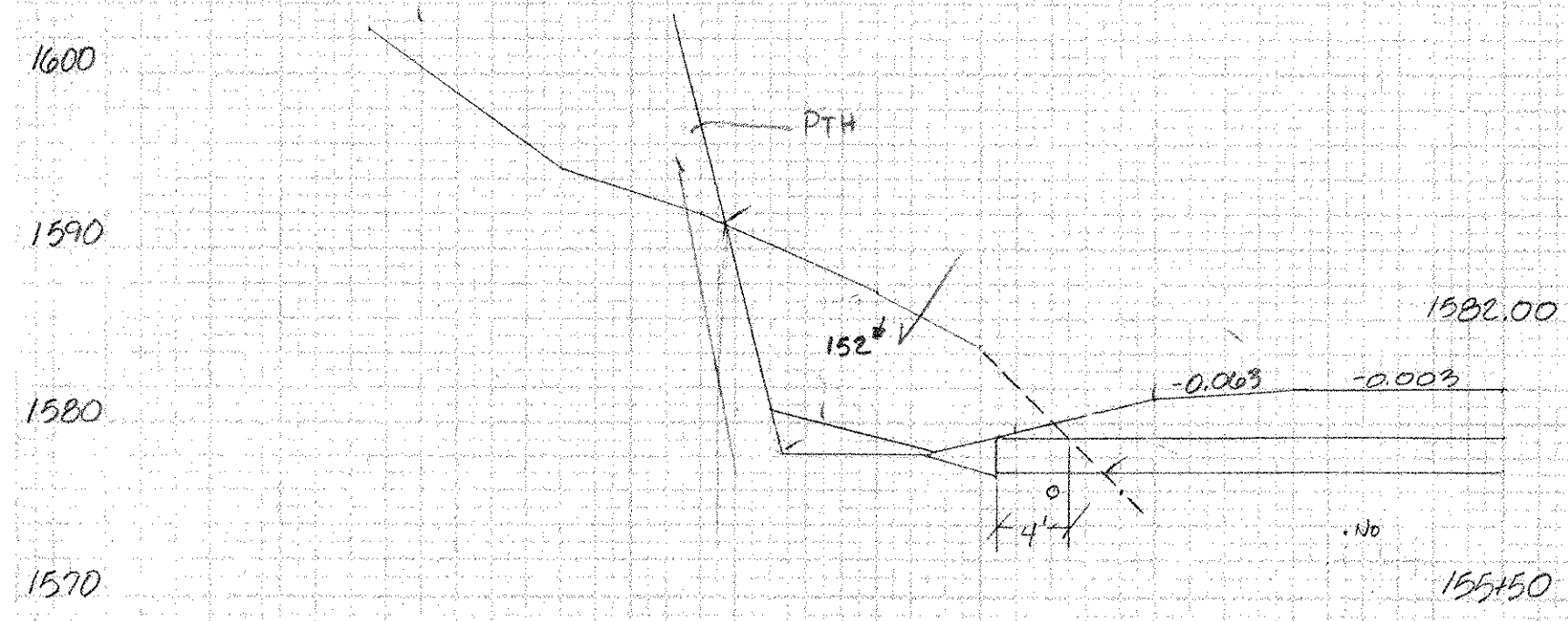


PROJECT: SEARSBURG - WILMINGTON
 SHEET: 369A OF 435
 DATE: 10/15/10
 DRAWN BY: [Signature]
 CHECKED BY: [Signature]



SEARSBURG - WILMINGTON
 NH-F010-1(10)
 Searsburg - Wilmington
 Ledge
 154+75 - 157+50
 SHEET 369A OF 435