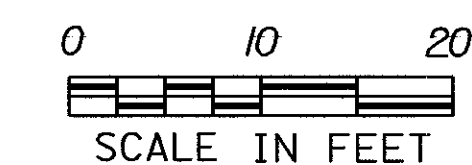
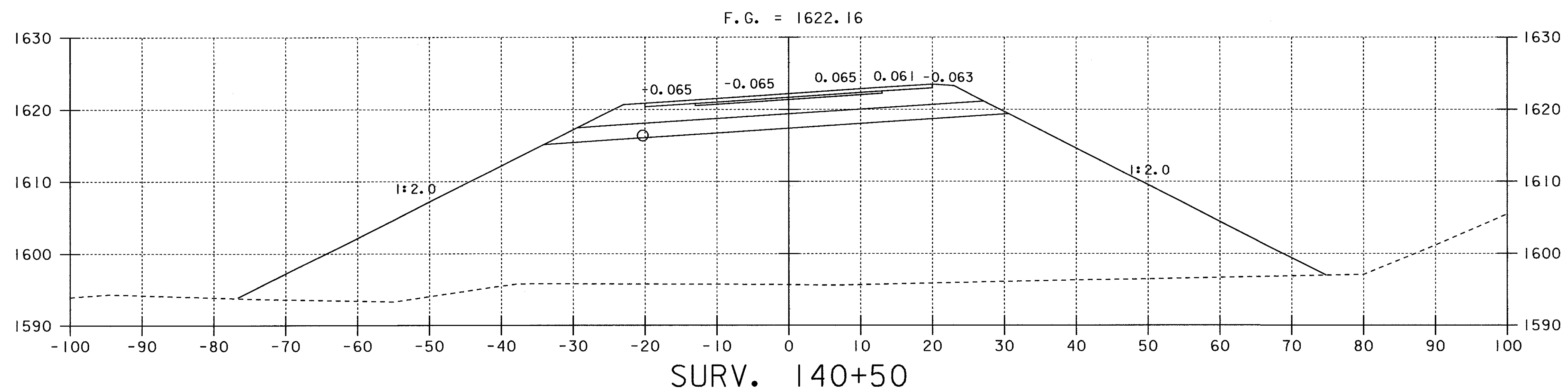
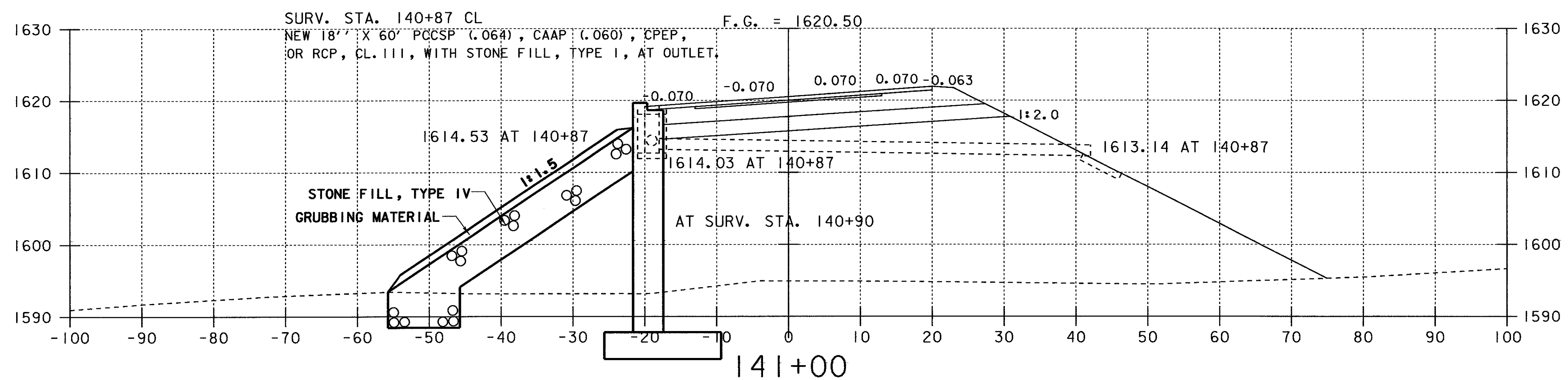
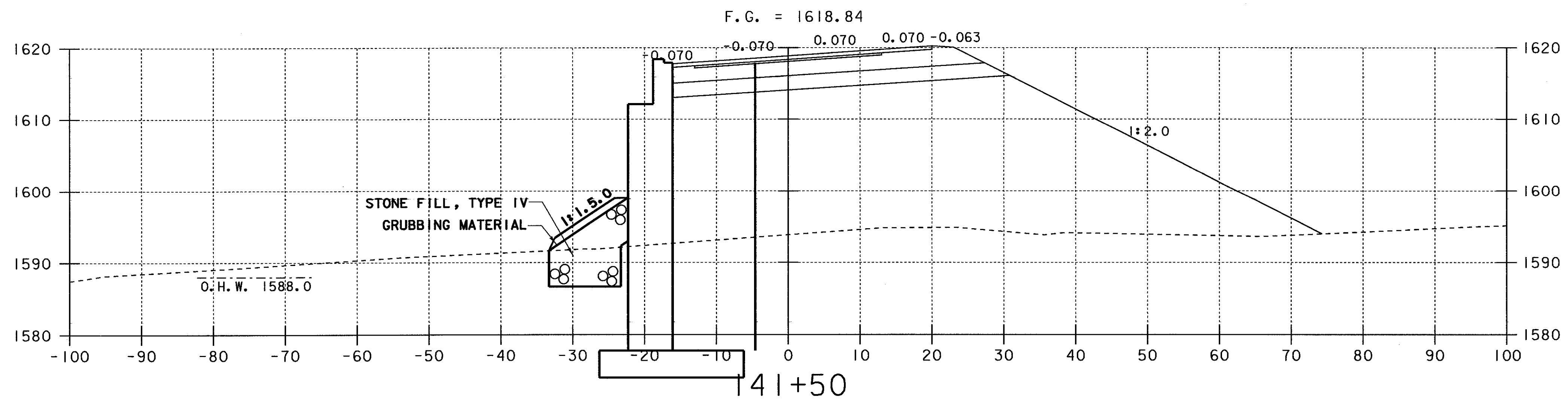


141+72.34
STOP ROADWAY BEGIN BRIDGE 25B



PROJECT NAME:	SEARSBURG - WILMINGTON
PROJECT NUMBER:	NHF 010-1(18)
PLOT FILE NAME:	DD096X21
PROJECT LEADER:	DELLA SANTA
DESIGN FILE NAME:	78D096/DESIGN/DD096CWRK.DGN
PLOT DATE:	18-JAN-2002
DRAWN BY:	SQUAD B
SHEET 359 OF 435	