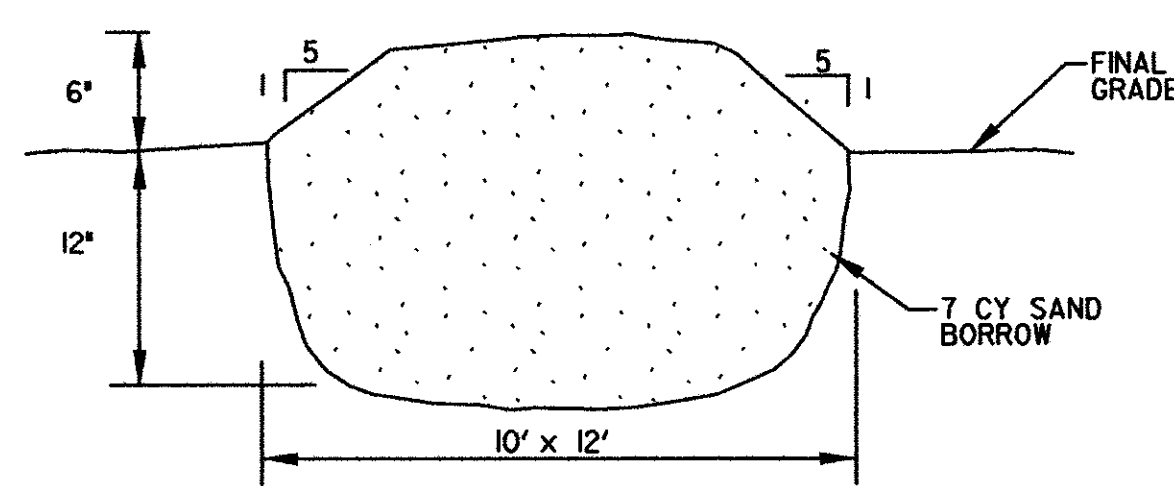
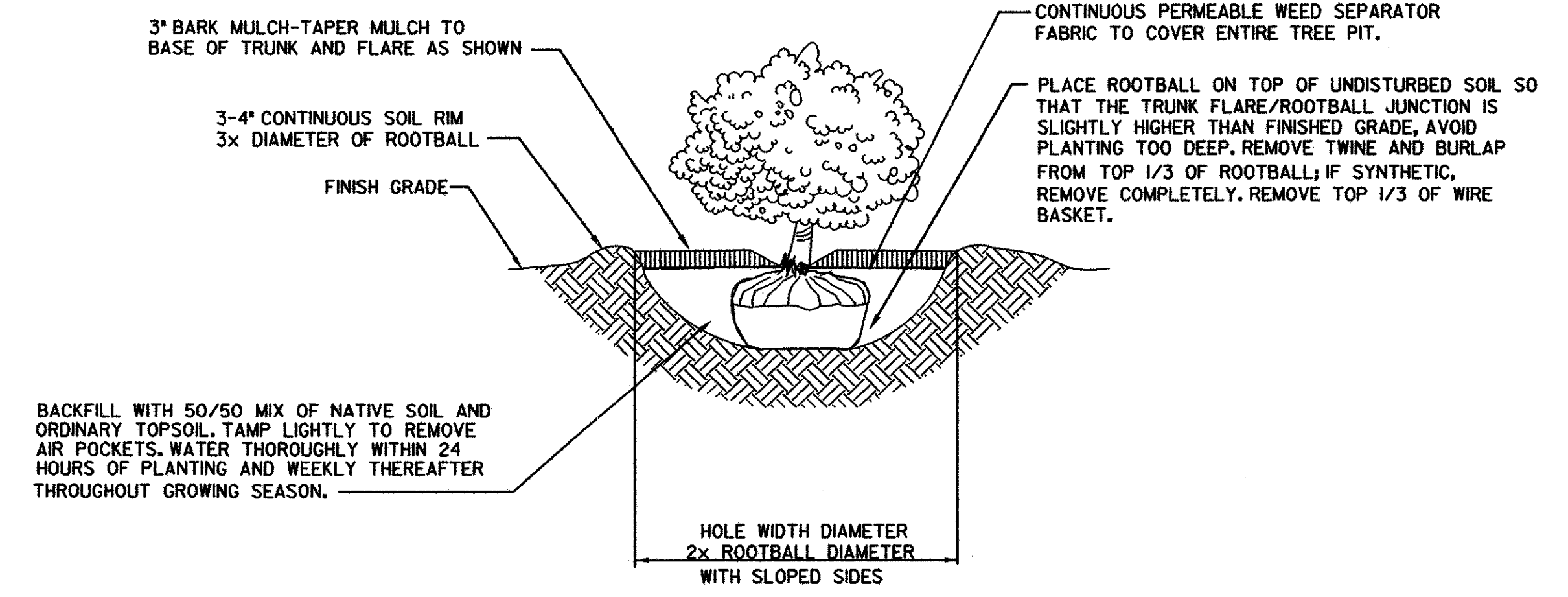


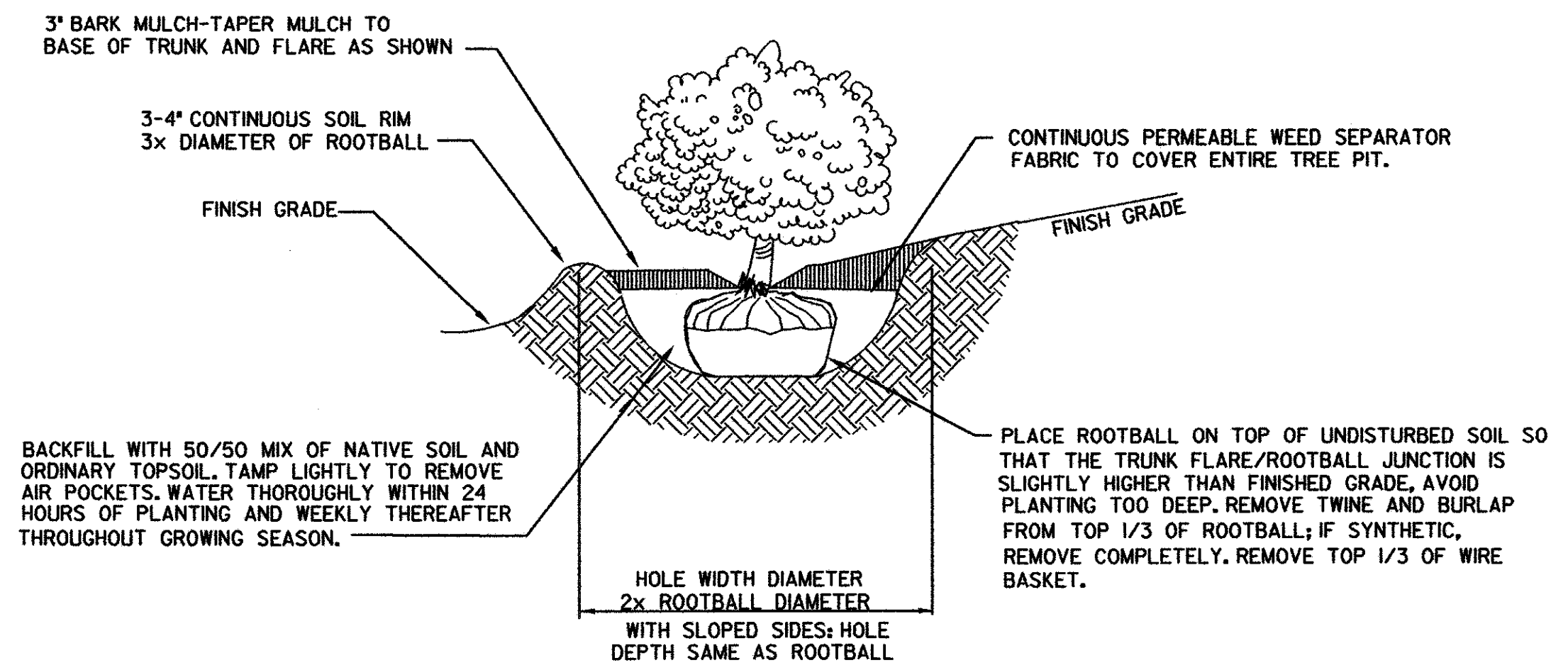
DECIDUOUS TREE PLANTING DETAIL
NOT TO SCALE



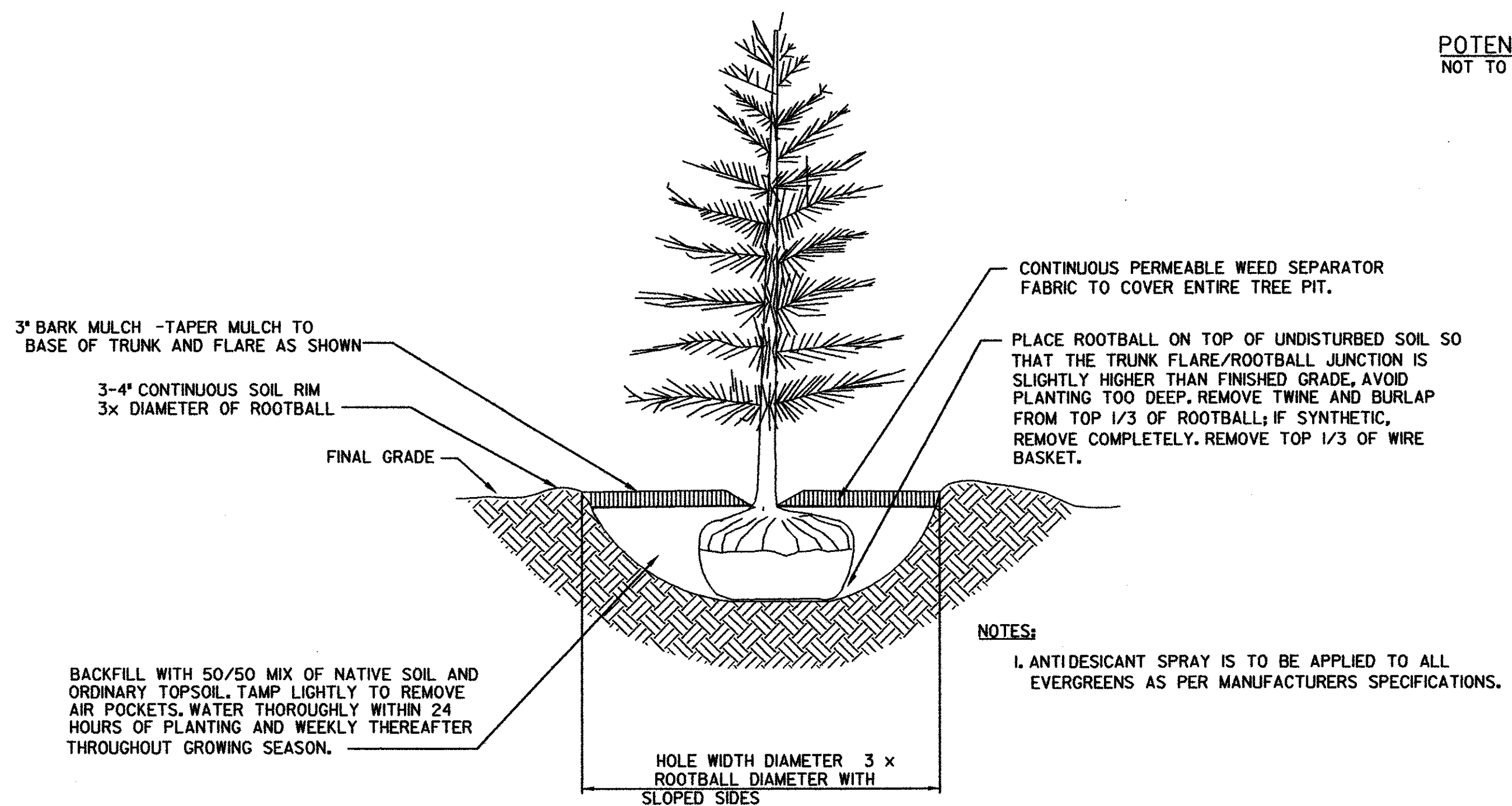
POTENTIAL TURTLE NESTING AREA DETAIL
NOT TO SCALE



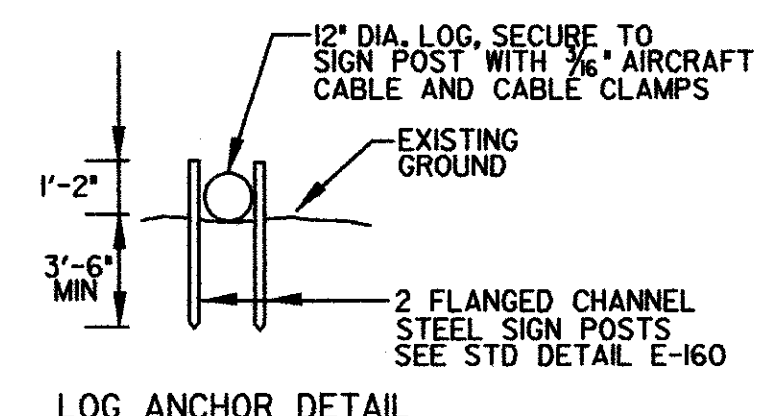
SHRUB PLANTING DETAIL
NOT TO SCALE



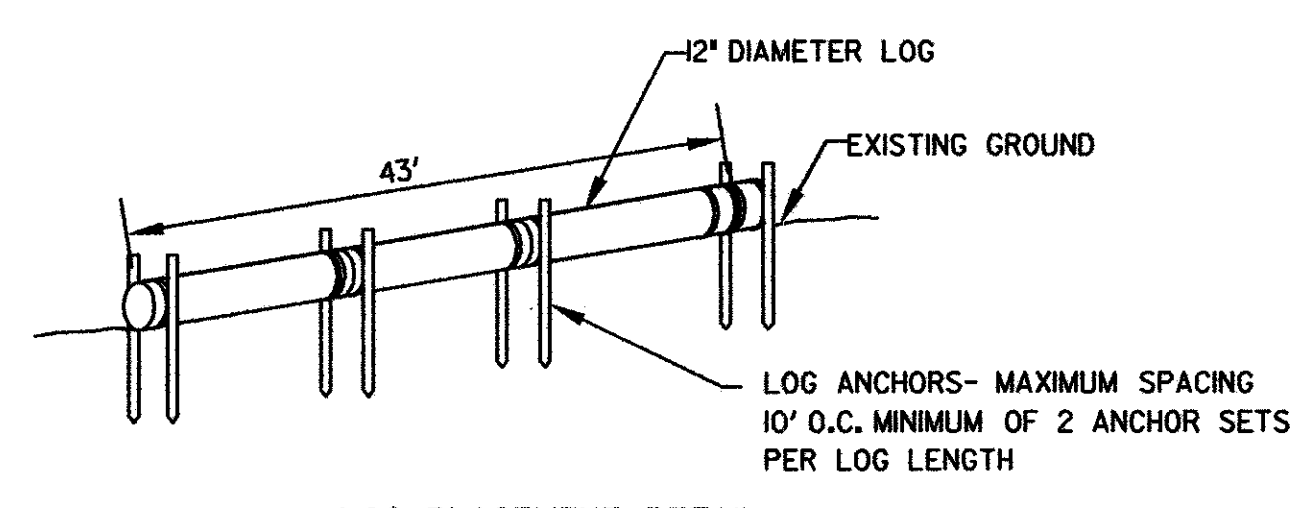
SHRUB PLANTING ON SLOPES DETAIL
NOT TO SCALE



EVERGREEN TREE PLANTING DETAIL
NOT TO SCALE

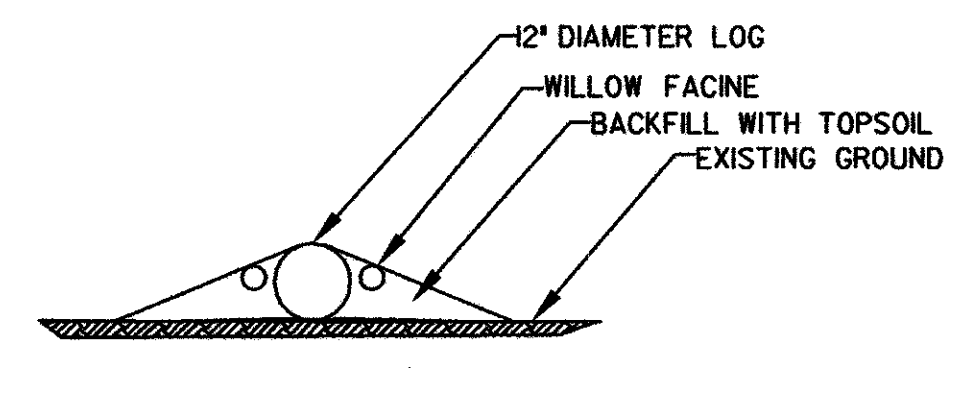


LOG ANCHOR DETAIL



LOG PLACEMENT DETAIL

LOG BERM DETAIL
NOT TO SCALE



PLANTING DETAIL

DATUM	
VERTICAL	_____
HORIZONTAL	_____

PROPOSED WETLAND MITIGATION
LANDSCAPE DETAILS

PROJECT:	SEARSBURG - WILMINGTON	PROJECT NO.:	NHF 010-1(18)
DESIGN FILE NAME:		PLOT DATE:	11/09/01
IPARM FILE NAME:	ZD096DET	SURVEY DATE:	
SURVEYED BY:		DRAWN BY:	K. R. KOLOSKI
SQUAD LEADER:	C. W. BRODIE	SHEET:	7 OF 12