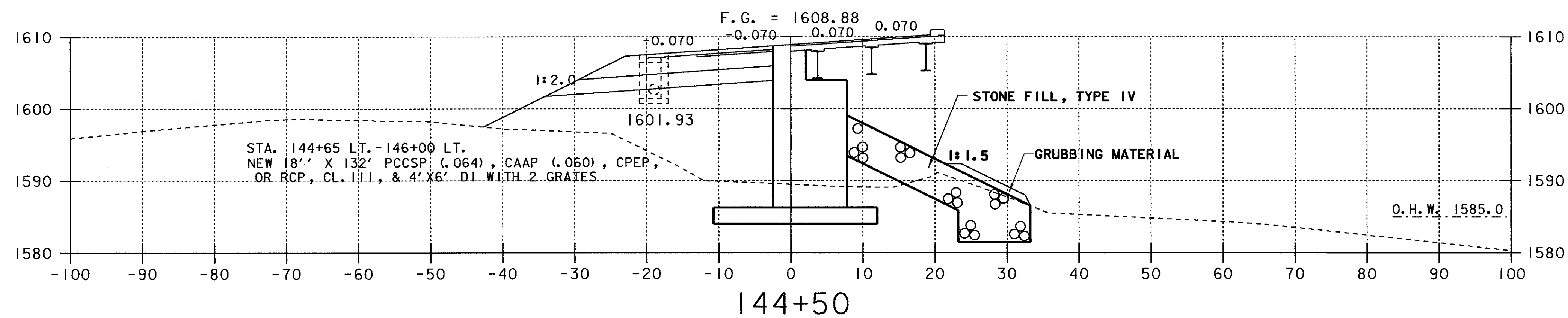
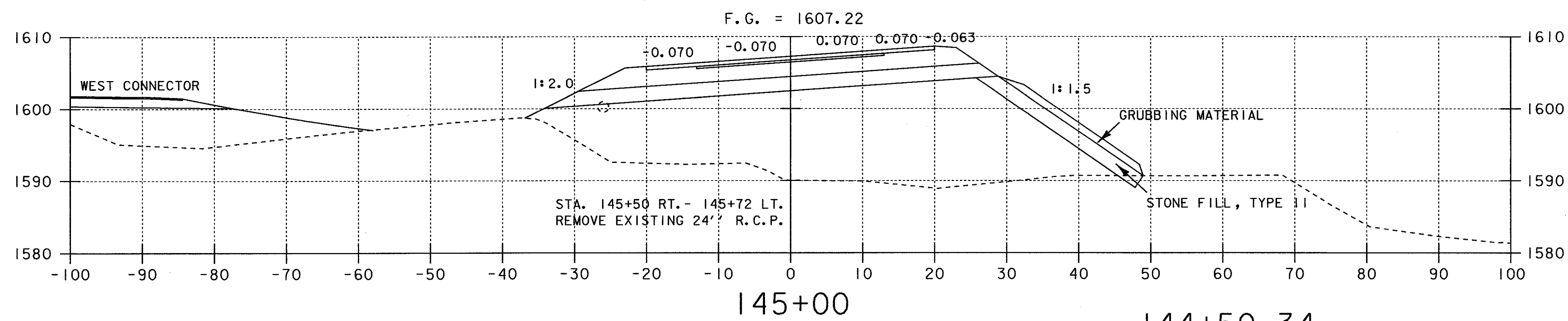
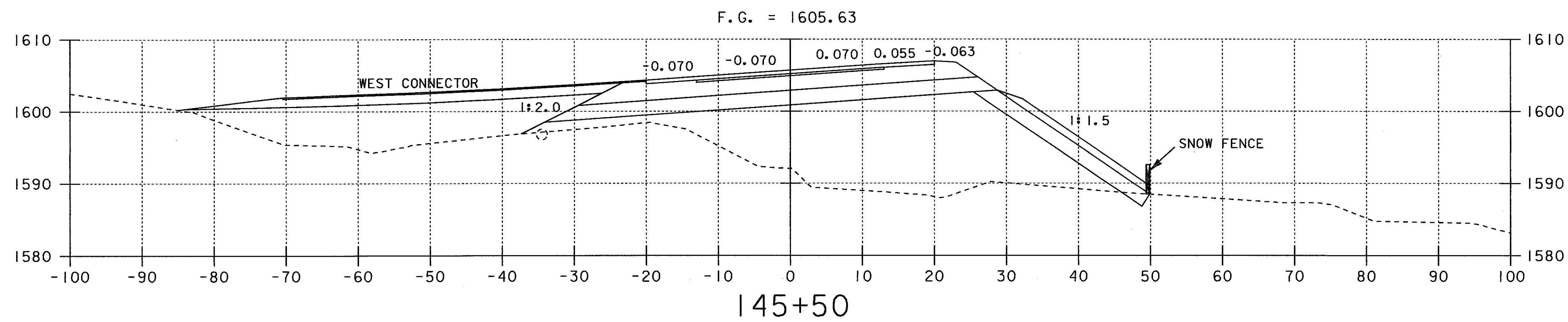
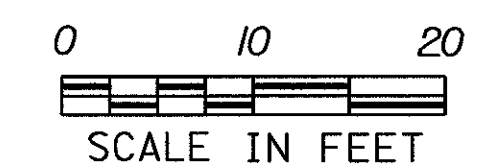


145+50 - 152+50
 CONSTRUCT TEMPORARY DETOUR
 (TO INSTALL GABION WALLS)
 SCARIFY EXISTING PAVEMENT & OVERLAY
 WITH 2" BITUMINOUS CONCRETE PAVEMENT



TEMPORARY DETOUR FOR GABION WALLS



PROJECT NAME:	SEARSBURG - WILMINGTON
PROJECT NUMBER:	NHF 010-1(18)
PLOT FILE NAME:	DD096X24
PROJECT LEADER:	DELLA SANTA
DESIGN FILE NAME:	T8D096/DESIGN/DD096CWRK.DGN
PLOT DATE:	21-FEB-2002
DRAWN BY:	SQUAD B
SHEET 278 OF 435	