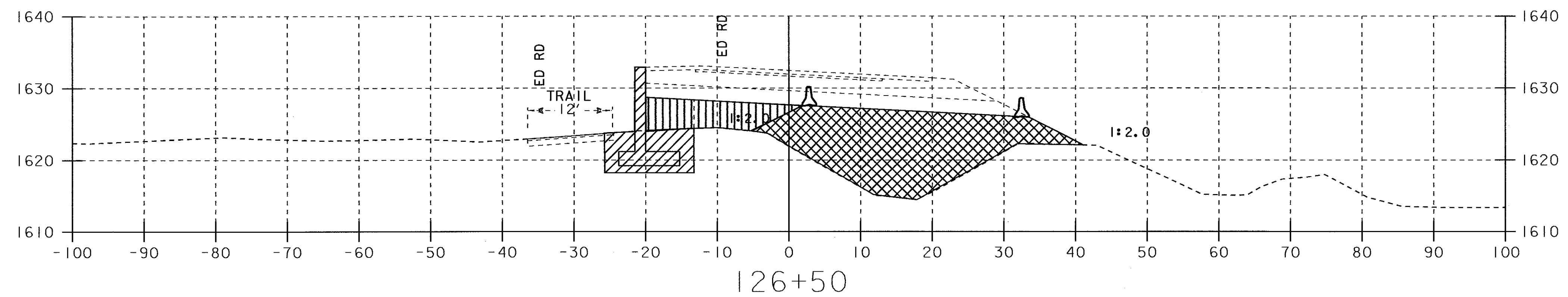
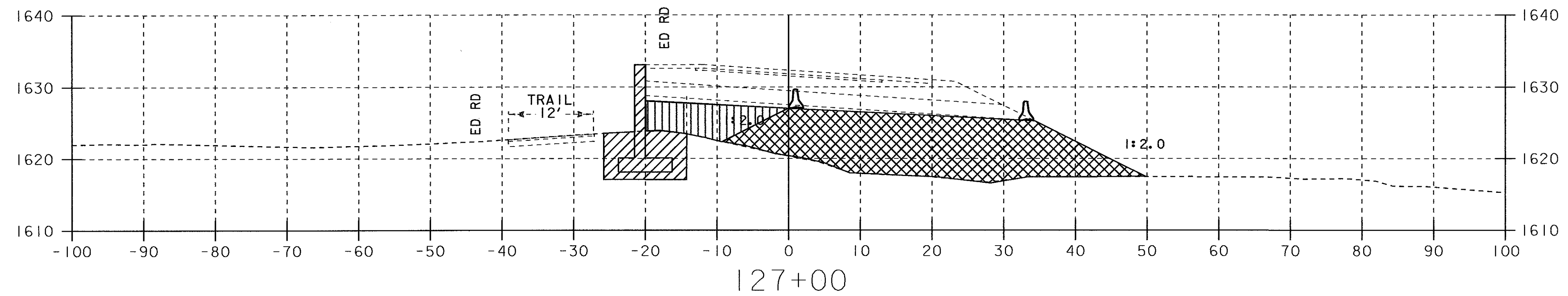
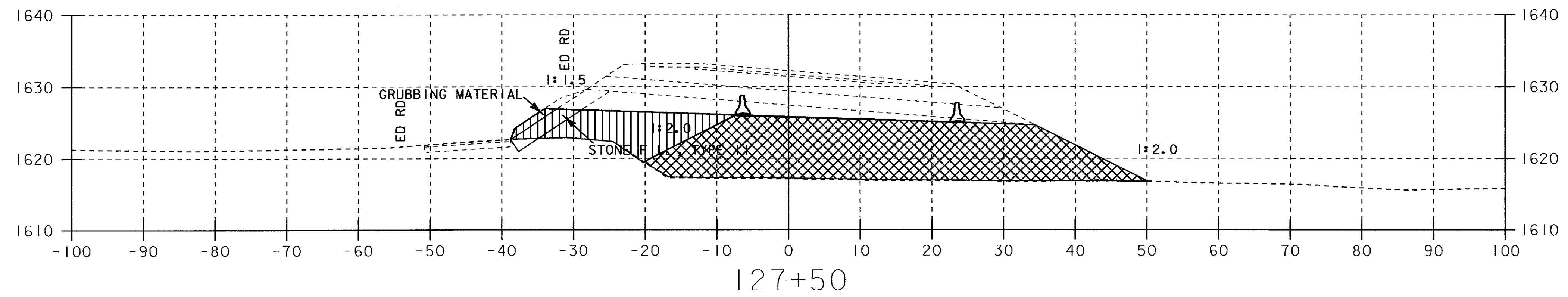
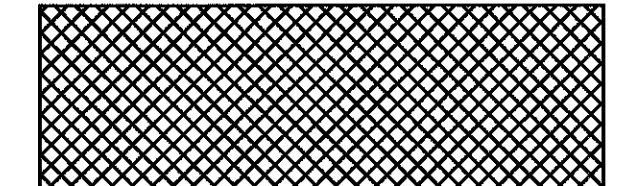
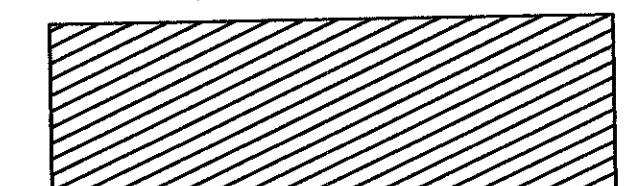
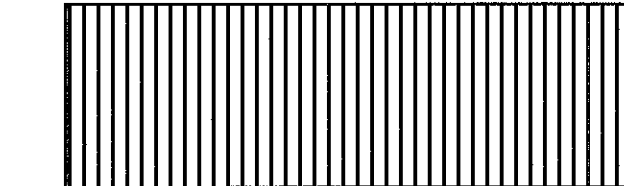
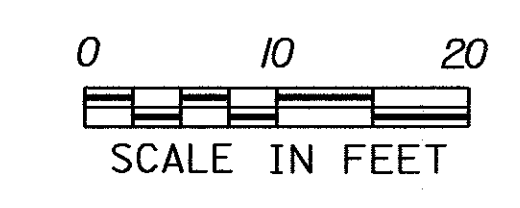


TRAFFIC CONTROL AND CONSTRUCTION PHASES FROM REV STA 121+08.47 ~ 129+00



- PHASE 2

- PHASE 3

- PHASE 4




PROJECT NAME:	SEARSBURG - WILMINGTON
PROJECT NUMBER:	NHF 010-1(18)
PLOT FILE NAME:	dd096d14
PROJECT LEADER:	DELLA SANTA
DESIGN FILE NAME:	78D096/DESIGN/Detour.DGN
PLOT DATE:	13-FEB-2002
DRAWN BY:	SQUAD B
SHEET 274 OF 435	