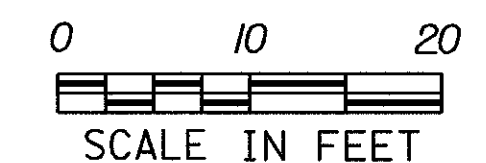
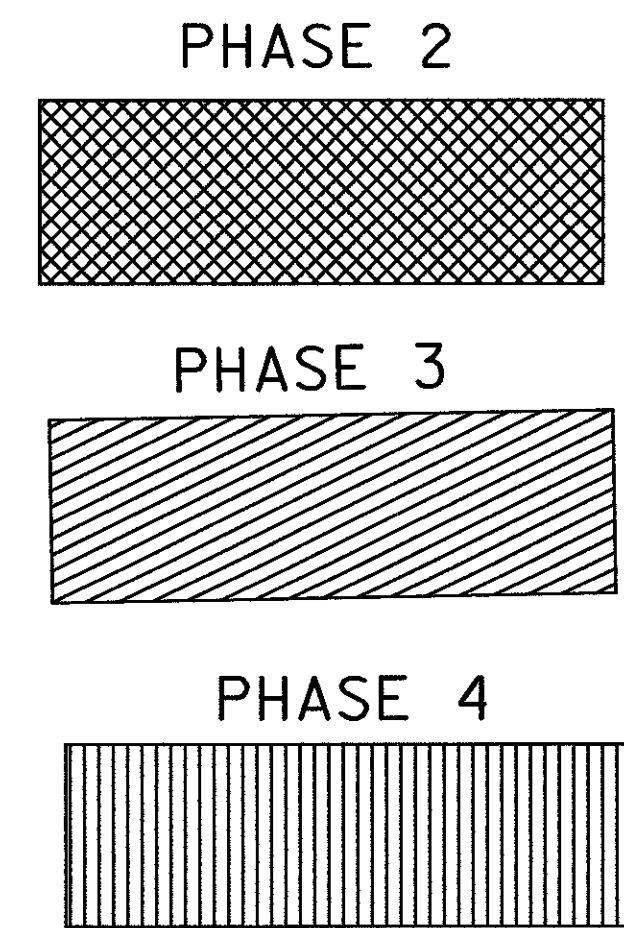
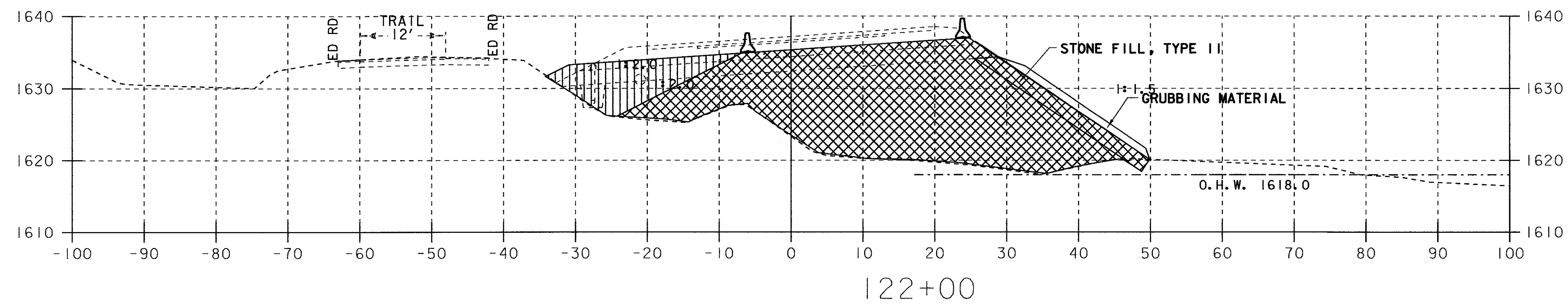
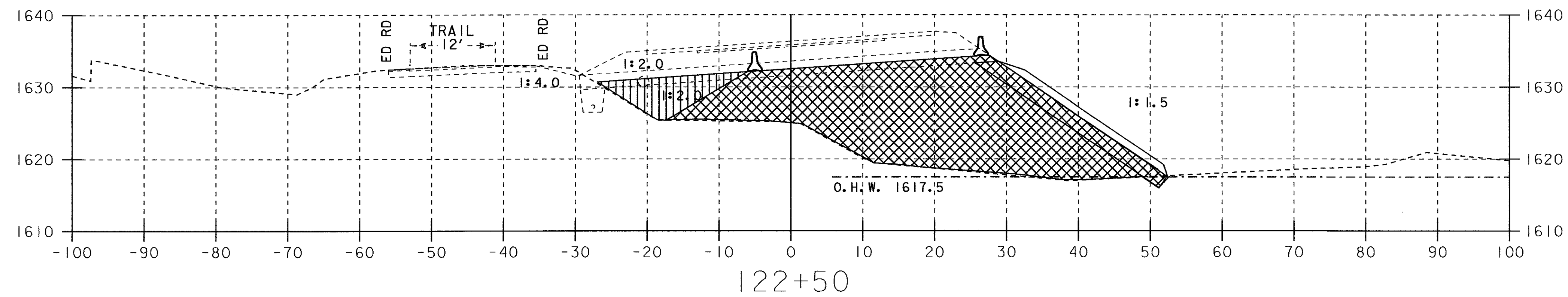
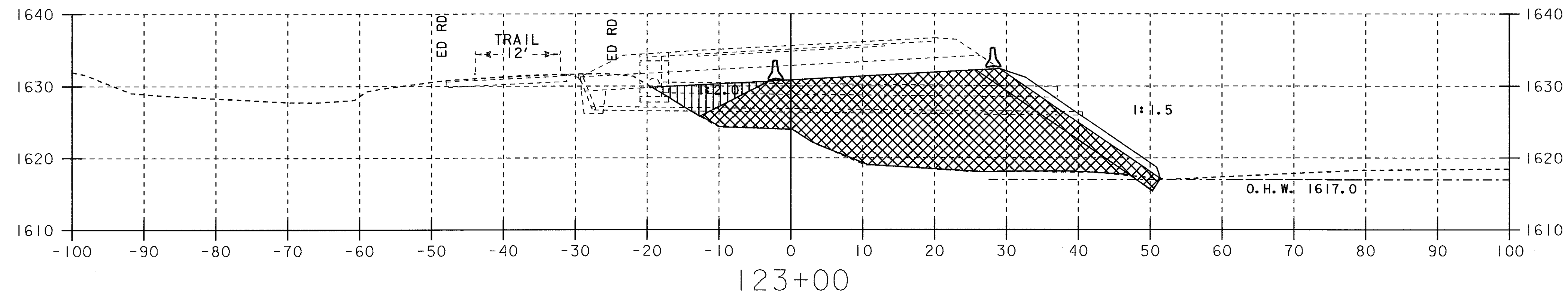


# TRAFFIC CONTROL AND CONSTRUCTION PHASES FROM REV STA 121+08.47 ~ 129+00



PROJECT NAME:	SEARSBURG - WILMINGTON
PROJECT NUMBER:	NHF 010-1(18)
PLOT FILE NAME:	dd096d11
PROJECT LEADER:	DELLA SANTA
DESIGN FILE NAME:	T8D096/DESIGN/Detour.DGN
PLOT DATE:	13-FEB-2002
DRAWN BY:	SQUAD B
SHEET 271 OF 435	