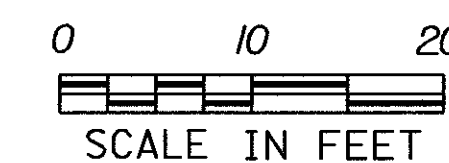
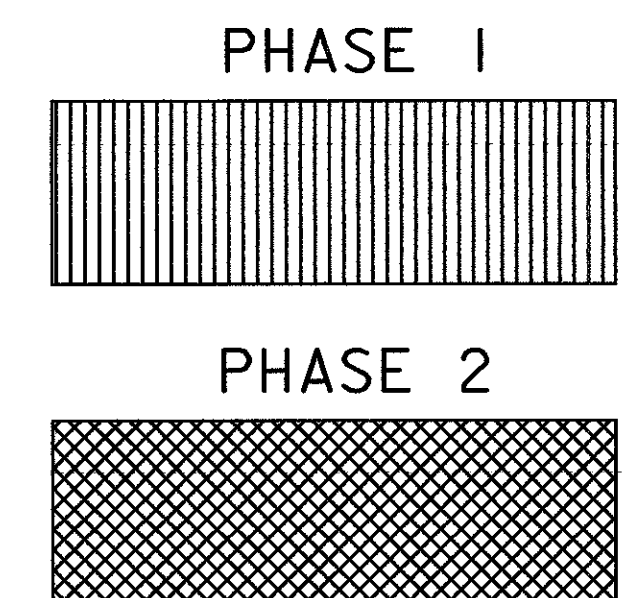
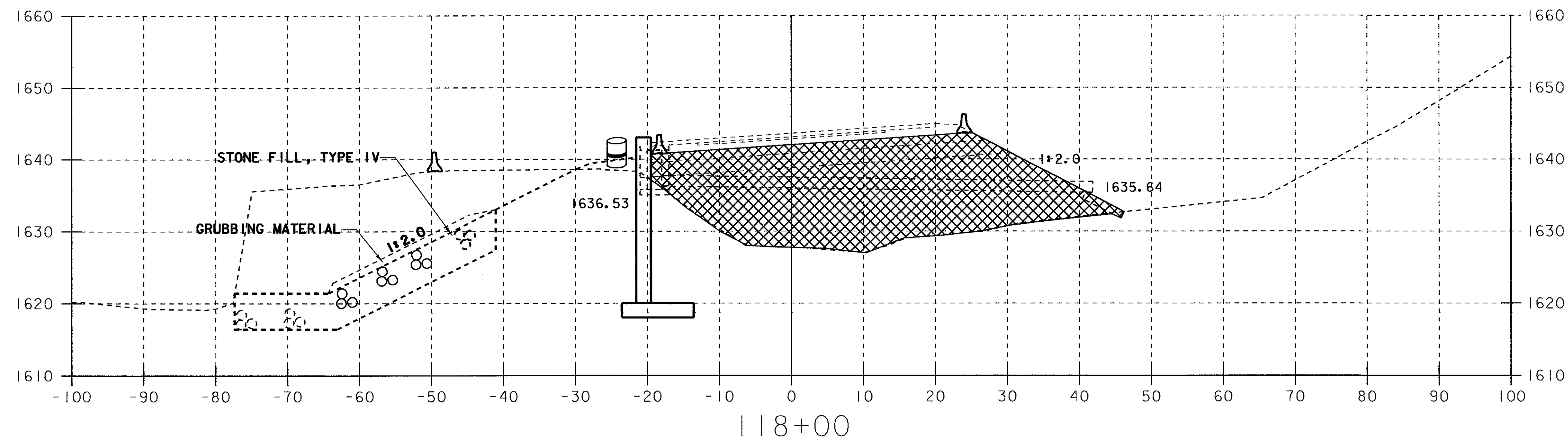
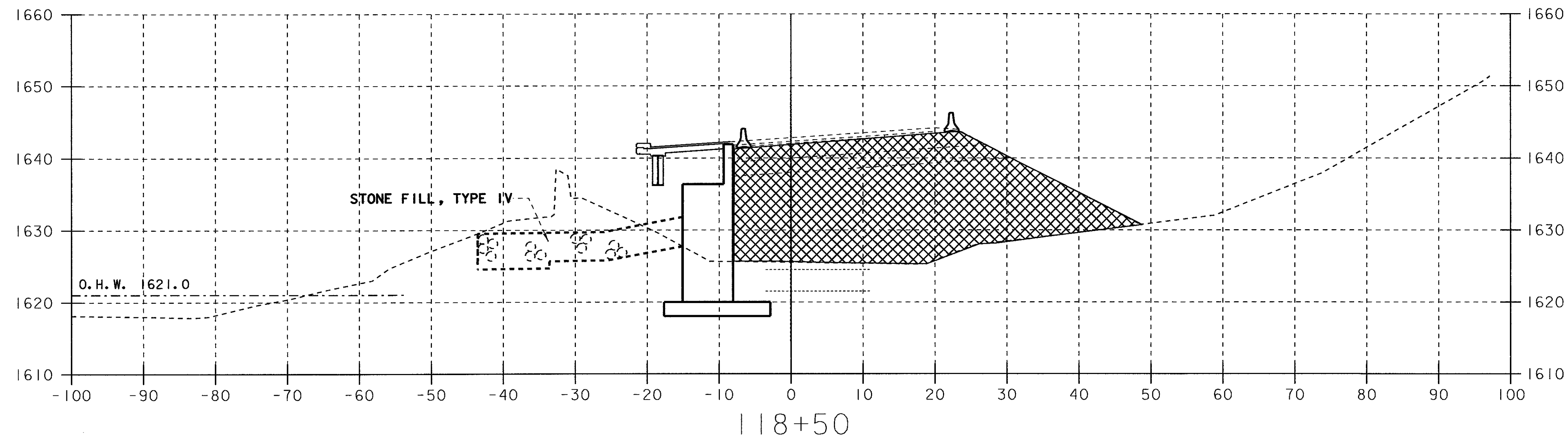


# TRAFFIC CONTROL AND CONSTRUCTION PHASES FROM STA. 113+50 ~ 118+61.38

REV. 118+61.38  
STOP ROADWAY BEGIN BRIDGE 25



PROJECT NAME:	SEARSBURG - WILMINGTON	
PROJECT NUMBER:	NH 010-1(18)	
PLOT FILE NAME:	dd096d08	PLOT DATE: 13-FEB-2002
PROJECT LEADER:	DELLA SANTA	DRAWN BY: SQUAD B
DESIGN FILE NAME:	78D096/DESIGN/Detour.DGN	
	SHEET	268 OF 435