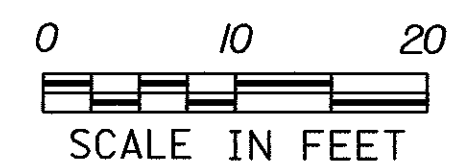
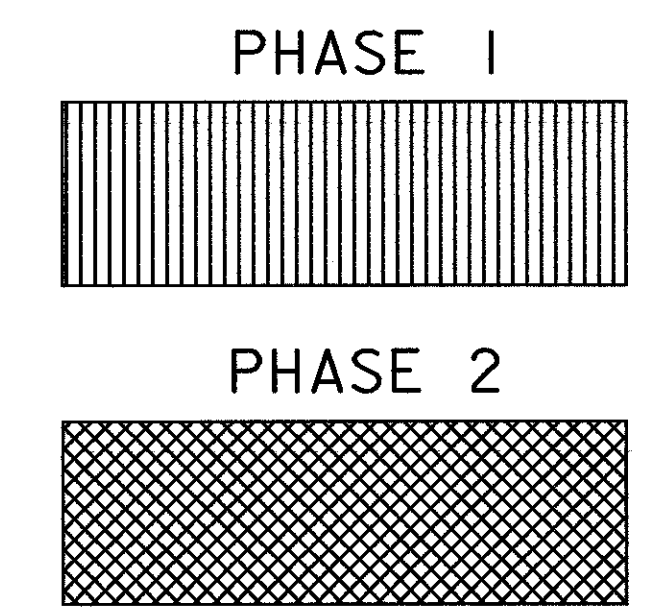
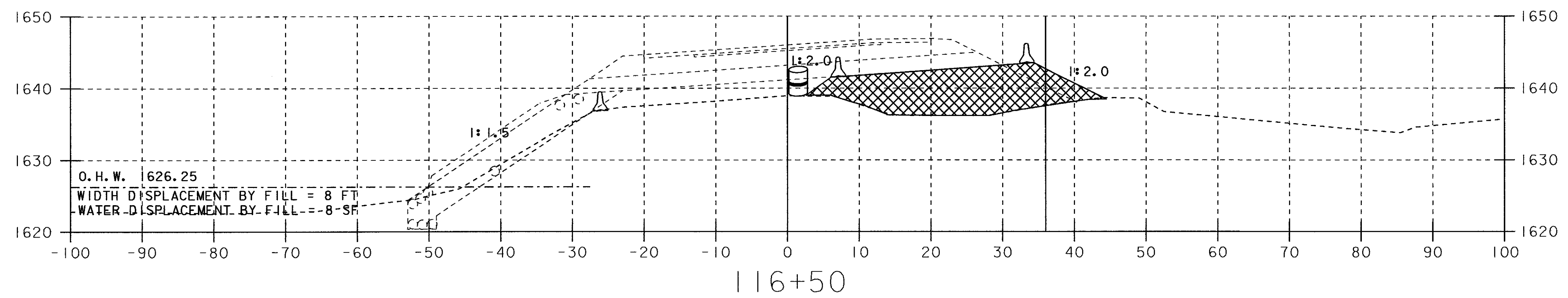
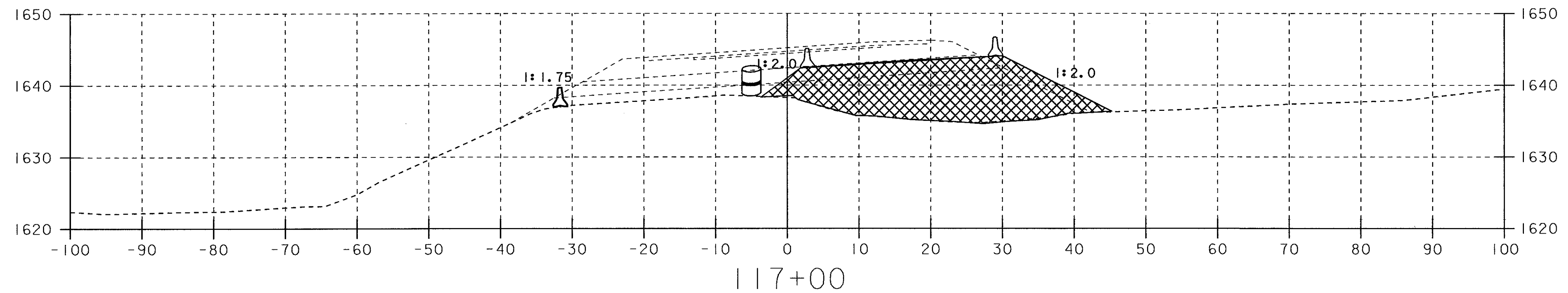
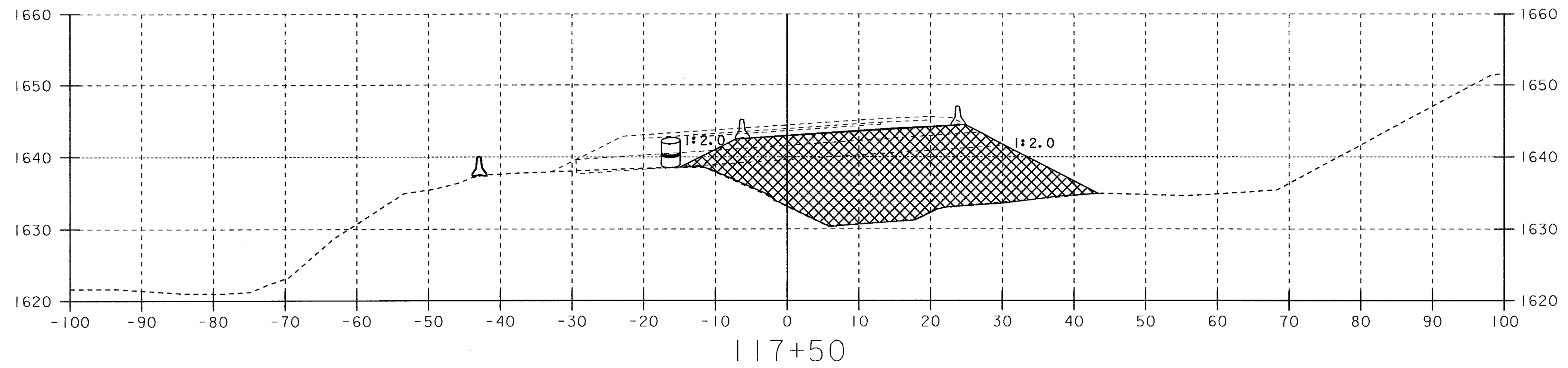


TRAFFIC CONTROL AND CONSTRUCTION PHASES FROM STA. 113+50 ~ 118+61.38



PROJECT NAME:	SEARSBURG - WILMINGTON		
PROJECT NUMBER:	NH 010-1(18)		
PLOT FILE NAME:	dd096d07	PLOT DATE:	13-FEB-2002
PROJECT LEADER:	DELLA SANTA	DRAWN BY:	SQUAD B
DESIGN FILE NAME:	78D096/DESIGN/Detour.DGN		
	SHEET	267	OF 435