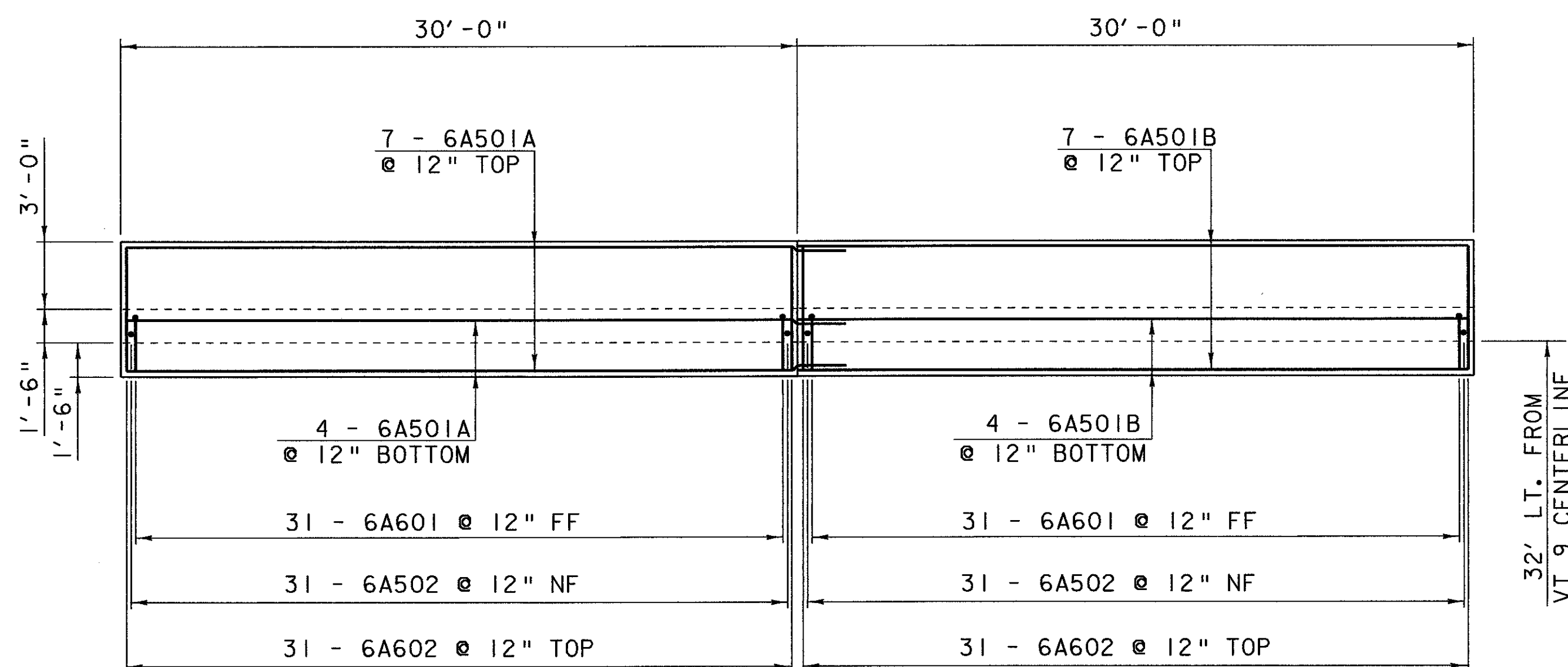


**ELEVATION**  
SCALE: 1" = 5'-0"

SECTION	DESIGN
6	A



**FOOTING PLAN**  
SCALE: 1" = 5'-0"

**NOTE:**

- NF = NEAR FACE
- FF = FAR FACE
- EF = EACH FACE
- ▲ = CUT TO FIT IN FIELD
- 3" CLR. UNLESS OTHERWISE NOTED
- 2'-2" BAR LAP UNLESS OTHERWISE NOTED

STATE OF VERMONT AGENCY OF TRANSPORTATION	
Town Of <b>SEARSBURG-WILMINGTON</b>	Bridge No.
Highway No. <b>VT 9</b>	Log Sta. Surv. Sta.
<b>MORSE WALL</b>	
<b>PLAN AND ELEVATION SECTION 6</b>	
Designed By <b>J. LACROIX</b>	Drawn By <b>J. LACROIX</b>
Checked By <b>G. ROY</b> Date <b>2/02</b>	Bridge Design Supervisor <b>R.R. WHITCOMB</b> Date <b>2/02</b>
PROJECT <b>SEARSBURG-WILMINGTON</b>	PROJECT NO. <b>NHF 010-1 (18)</b>
I.G.C. Info. 78d096\Structures\sd096typ2a.dgn sd096wa12e.i	
Bridge Sheet No. <b>BR606</b>	Sheet <b>253</b> of <b>435</b>