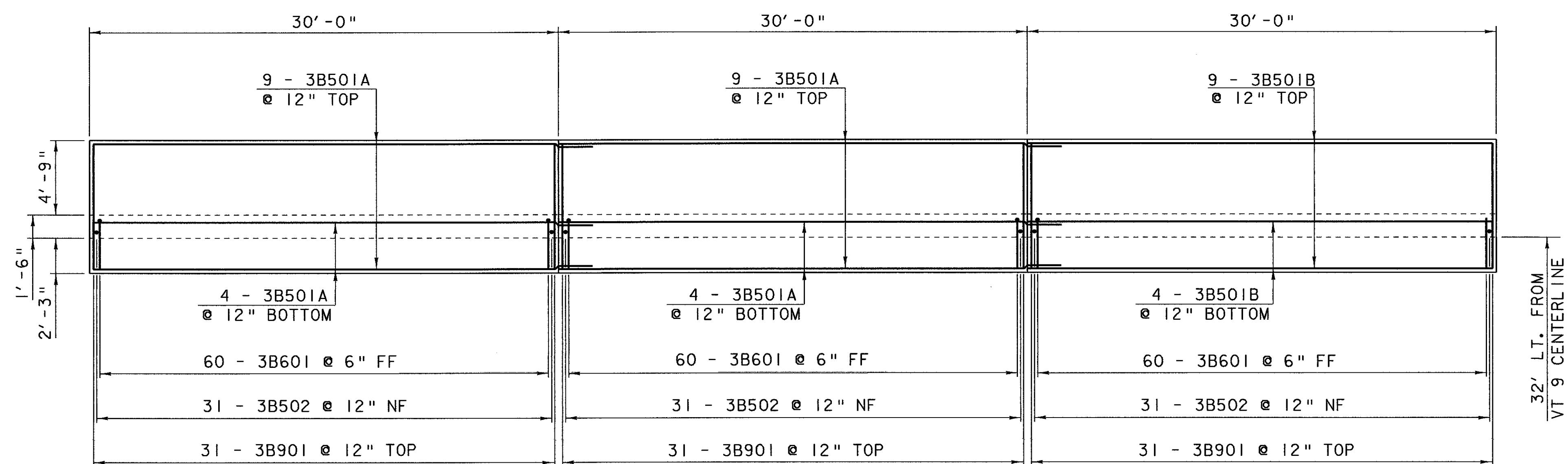


**ELEVATION**  
SCALE: 1" = 5'-0"



**FOOTING PLAN**  
SCALE: 1" = 5'-0"

**NOTE:**  
 NF = NEAR FACE  
 FF = FAR FACE  
 EF = EACH FACE  
 ▲ = CUT TO FIT IN FIELD  
 3" CLR. UNLESS OTHERWISE NOTED  
 2'-2" BAR LAP UNLESS OTHERWISE NOTED

STATE OF VERMONT AGENCY OF TRANSPORTATION	
Town Of <b>SEARSBURG-WILMINGTON</b>	Bridge No.
Highway No. <b>VT 9</b>	Log Sta. Surv. Sta.
<b>MORSE WALL</b>	
<b>PLAN AND ELEVATION SECTION 3</b>	
Designed By <b>J. LACROIX</b>	Drawn By <b>J. LACROIX</b>
Checked By <b>G. ROY</b>	Bridge Design Supervisor
Date <b>2/02</b>	Date <b>2/02</b>
<b>PROJECT</b>	
<b>SEARSBURG-WILMINGTON</b>	<b>PROJECT NO. NHF 010-1 (18)</b>
I.G.C. Info: 78d096\Structures\sd096typ2a.dgn sd096wa12b.i	
Bridge Sheet No. <b>BR603</b>	Sheet <b>250</b> of <b>435</b>