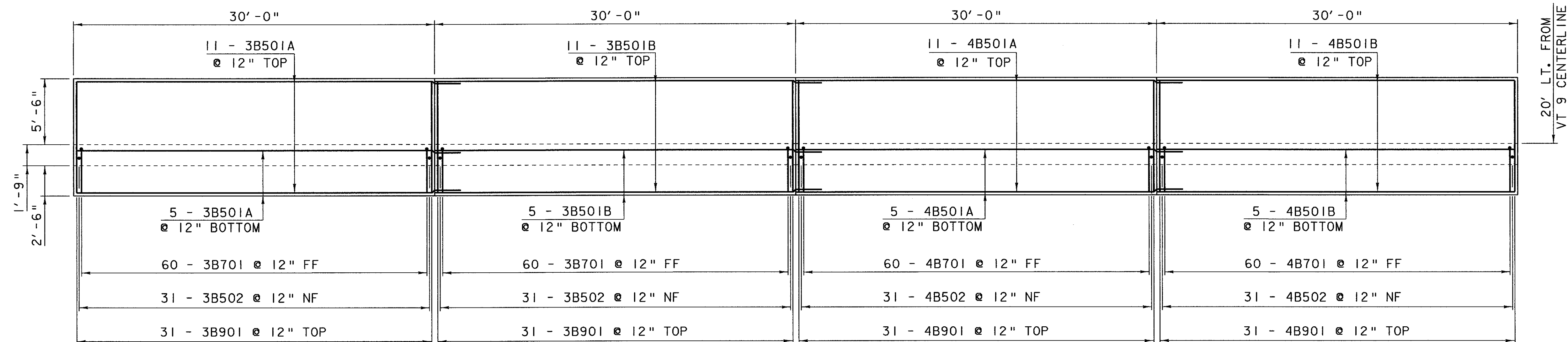


ELEVATION
SCALE: 1" = 5'-0"

SECTION	DESIGN
3	B
4	B



FOOTING PLAN
SCALE: 1" = 5'-0"

NOTE:
 NF = NEAR FACE
 FF = FAR FACE
 EF = EACH FACE
 ▲ = CUT TO FIT IN FIELD
 3" CLR. UNLESS OTHERWISE NOTED
 2'-2" BAR LAP UNLESS OTHERWISE NOTED

**STATE OF VERMONT
AGENCY OF TRANSPORTATION**

Town of SEARSBURG-WILMINGTON	Bridge No.
Highway No. VT 9	Log Sta.
	Surv. Sta.
CATAMOUNT TRAIL WALL	
PLAN AND ELEVATION SECTIONS 3 & 4	
Designed By J. LACROIX	Drawn By J. LACROIX
Checked By G. ROY	Bridge Design Supervisor
Date 2/02	R.R. WHITCOMB Date 2/02
PROJECT SEARSBURG-WILMINGTON	PROJECT NO. NHF 010-1 (18)
I.G.C. Info. 78d096\Structures\sd096wa1.dgn	sd096wa3.1
Bridge Sheet No. BR505	Sheet 244 of 435