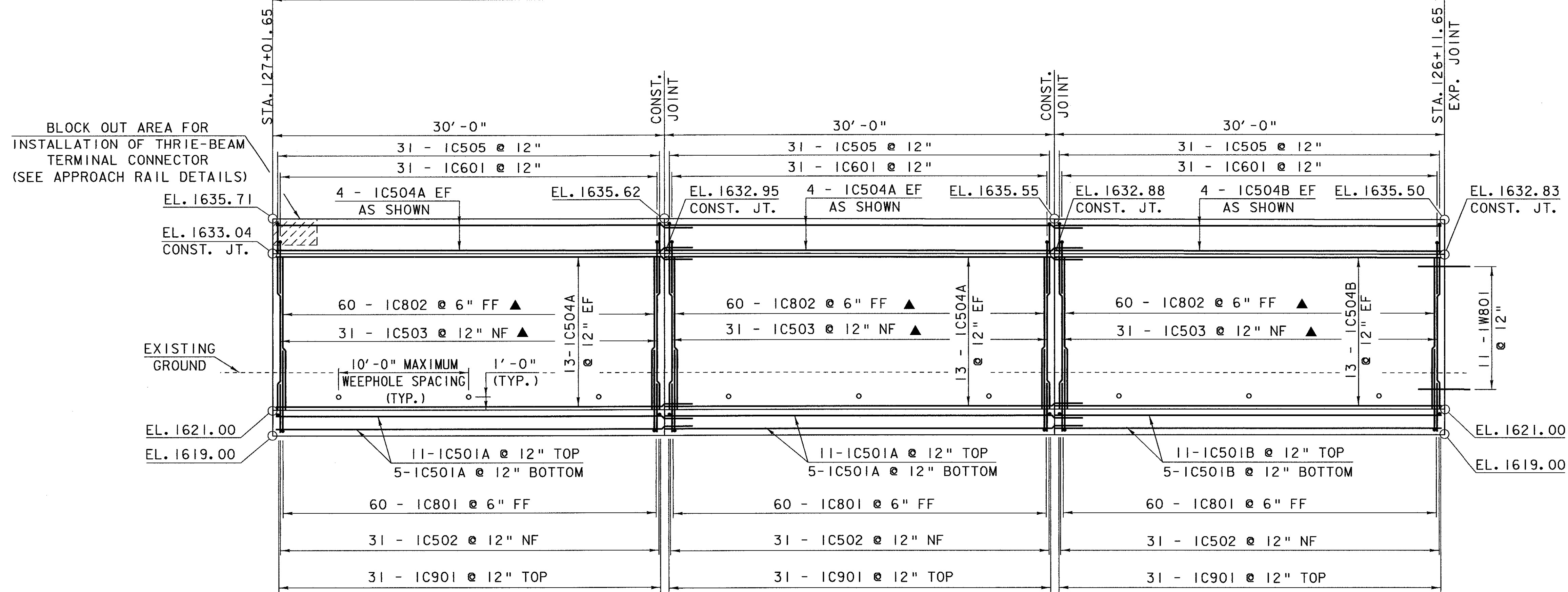
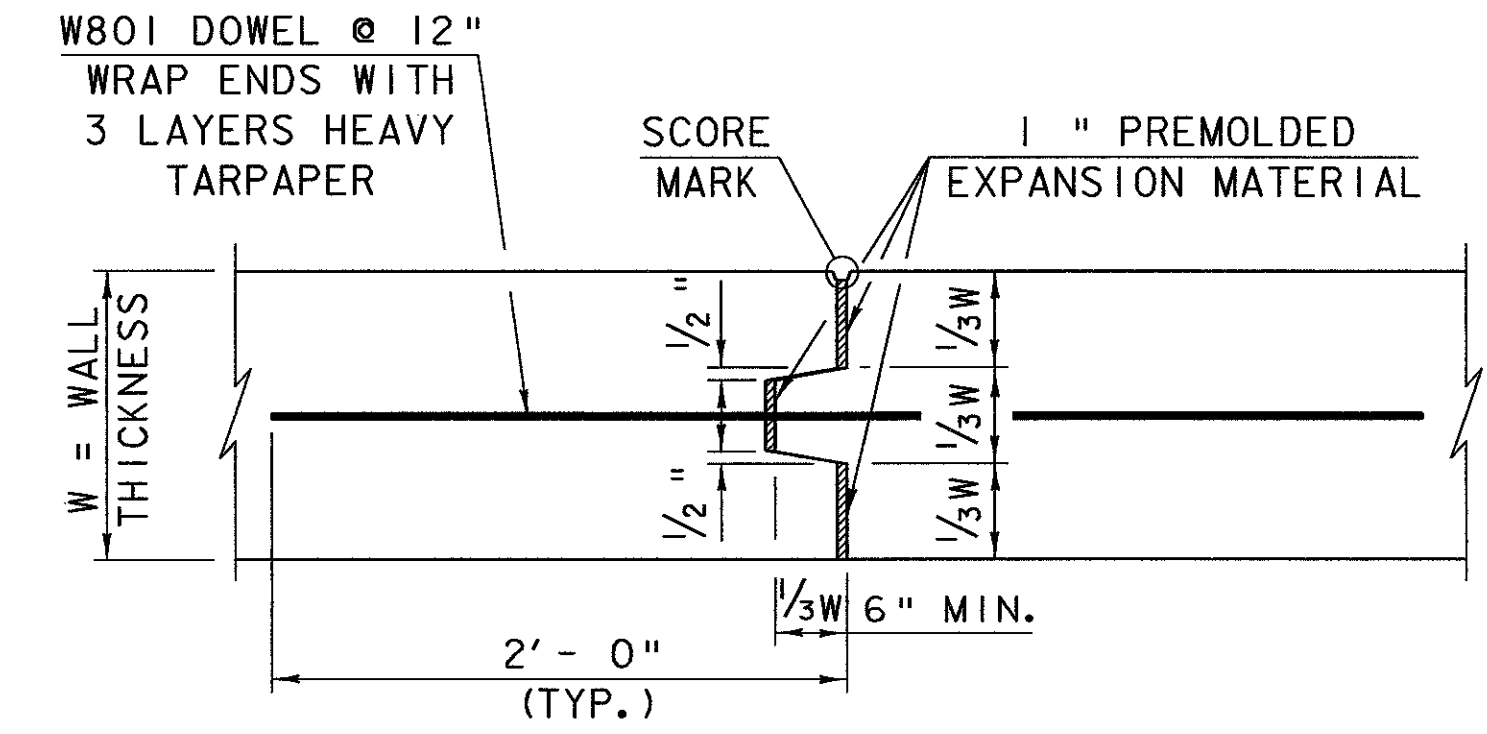


SECTION I



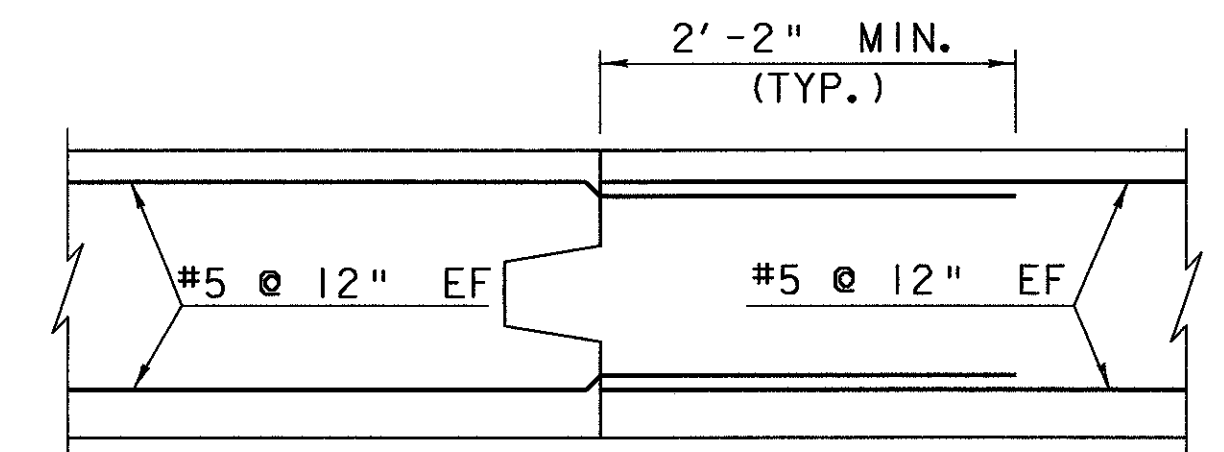
ELEVATION

SCALE: 1" = 5'-0"



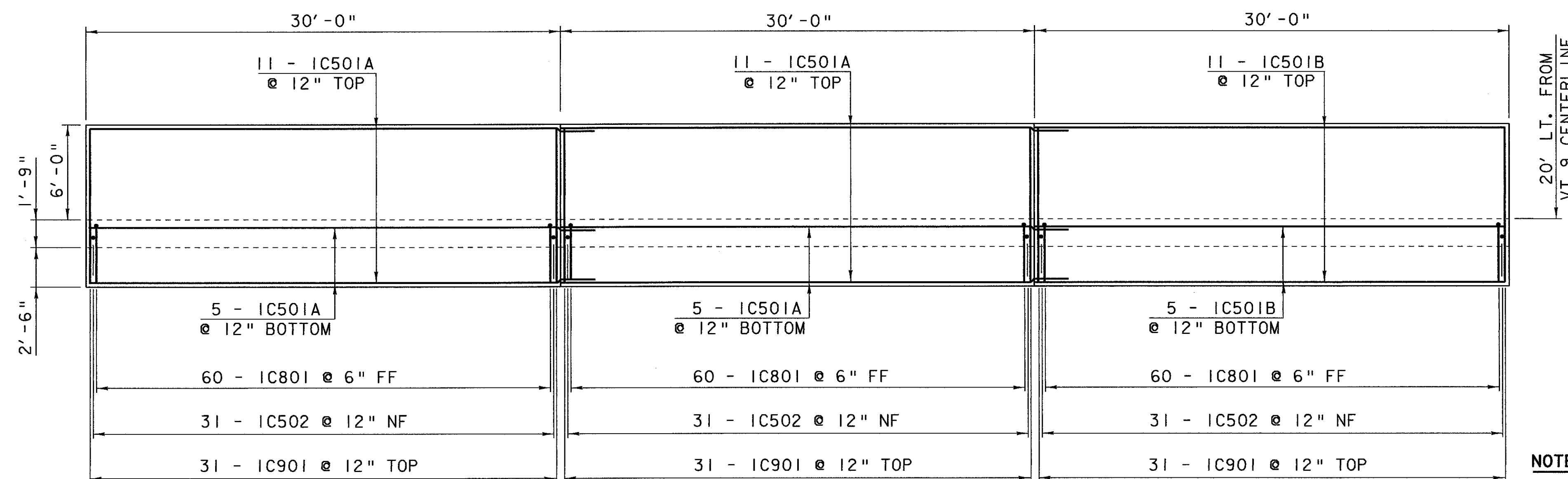
TYPICAL CONCRETE EXPANSION JOINT

(IN WALL ONLY. PAINT SIDE OF KEY WITH BITUMEN TO PREVENT BONDING.)



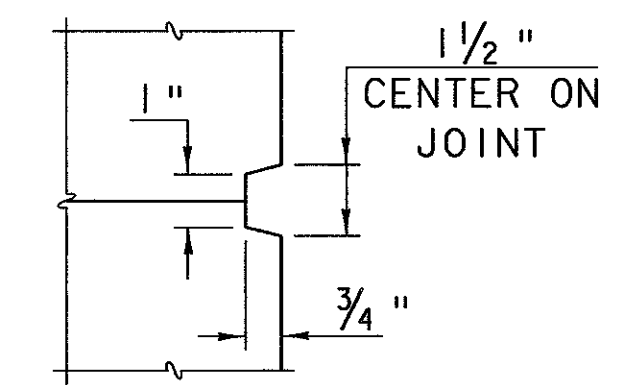
TYPICAL CONCRETE CONSTRUCTION JOINT

SECTION	DESIGN
I	C



FOOTING PLAN

SCALE: 1" = 5'-0"



SCORE MARK DETAIL

NOT TO SCALE

NOTE:

- NF = NEAR FACE
- FF = FAR FACE
- EF = EACH FACE
- ▲ = CUT TO FIT IN FIELD
- 3" CLR. UNLESS OTHERWISE NOTED
- 2'-2" BAR LAP UNLESS OTHERWISE NOTED

STATE OF VERMONT AGENCY OF TRANSPORTATION

Town of SEARSBURG-WILMINGTON	Bridge No.
Highway No. VT 9	Log Sta. Surv. Sta.

CATAMOUNT TRAIL WALL

PLAN AND ELEVATION SECTION I

Designed By J. LACROIX	Drawn By J. LACROIX
Checked By G. ROY	Bridge Design Supervisor R. R. WHITCOMB
Date 2/02	Date 2/02

PROJECT SEARSBURG-WILMINGTON	PROJECT NO. NHF 010-1 (18)
------------------------------	----------------------------

I.G.C. Info. 78d096\Structures\sd096wal.dgn	sd096wal.i
Bridge Sheet No. BR503	Sheet 242 of 435