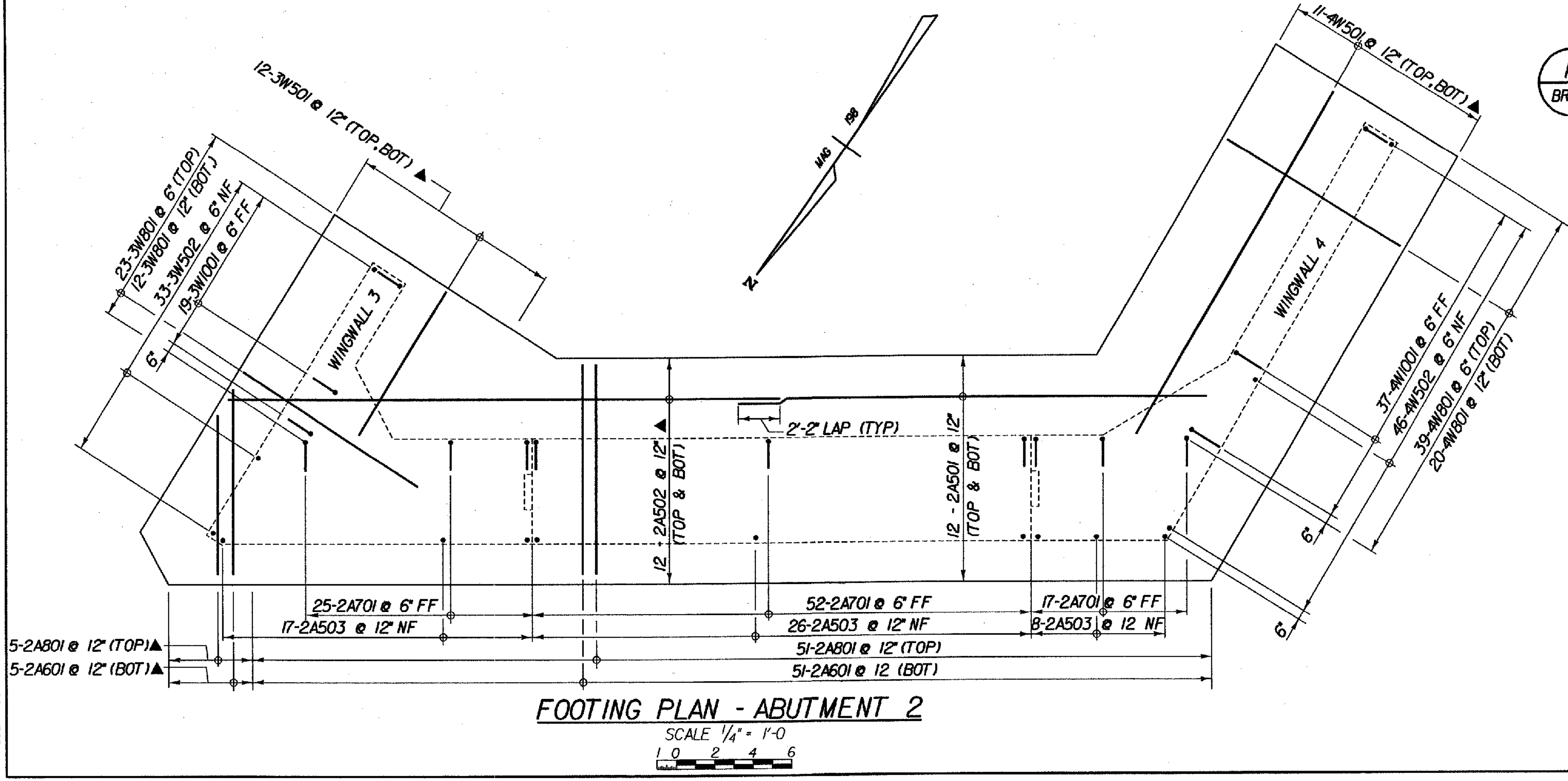
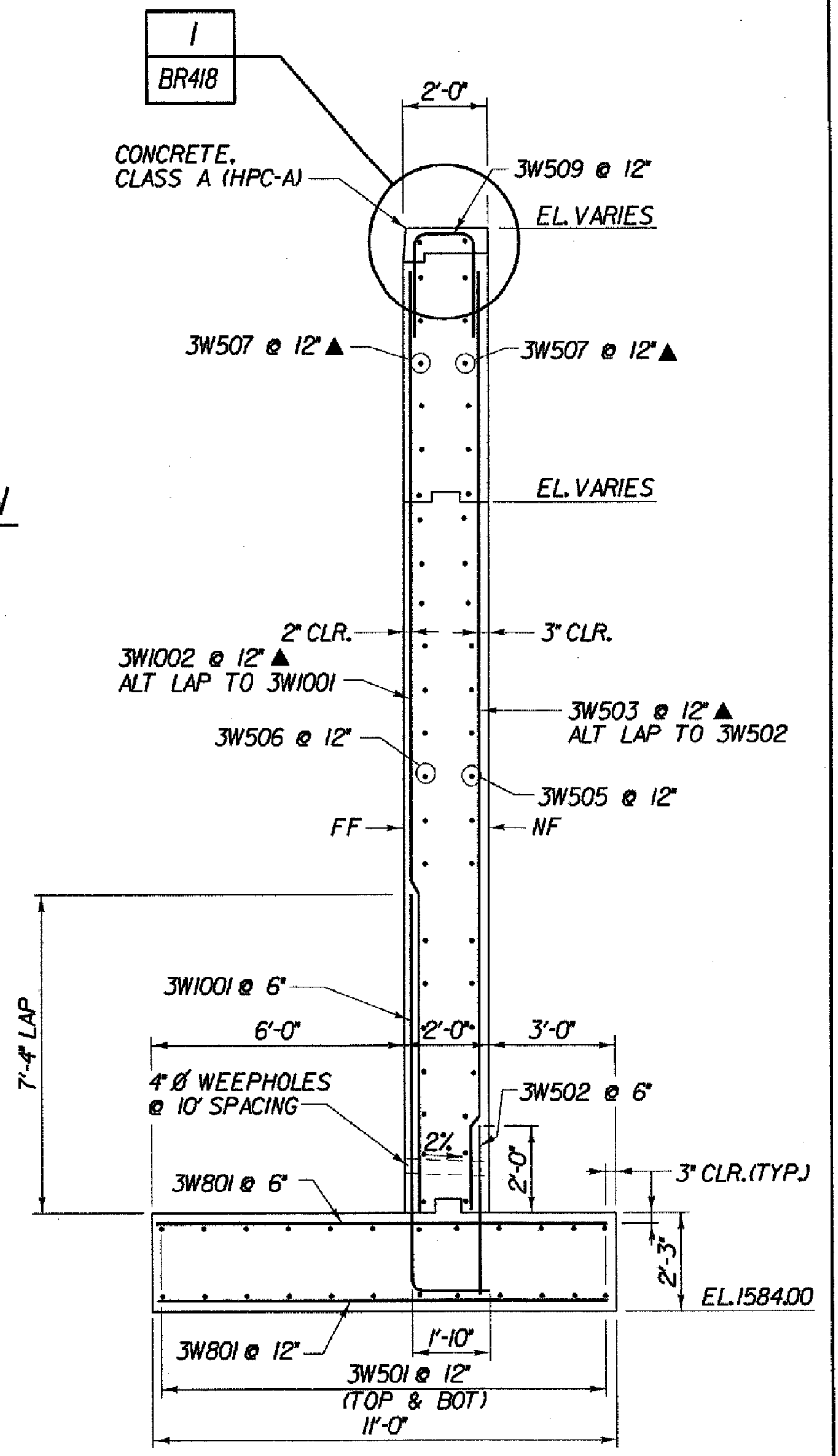
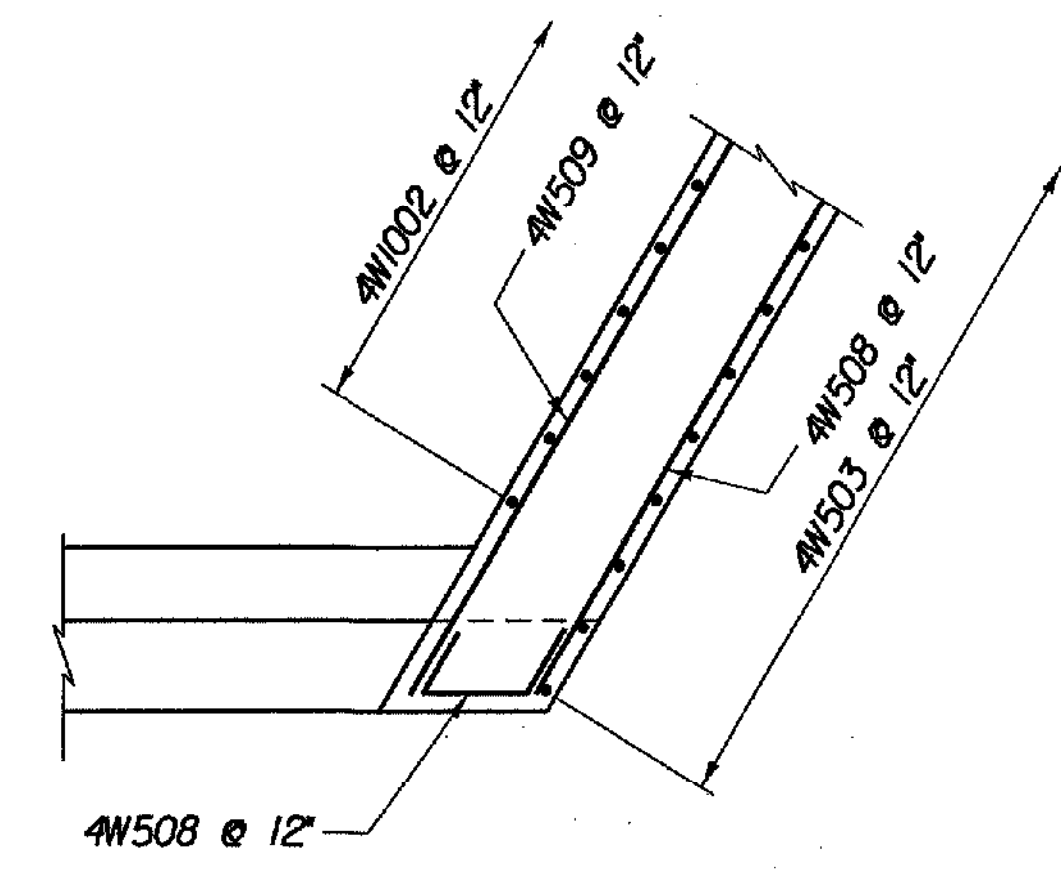
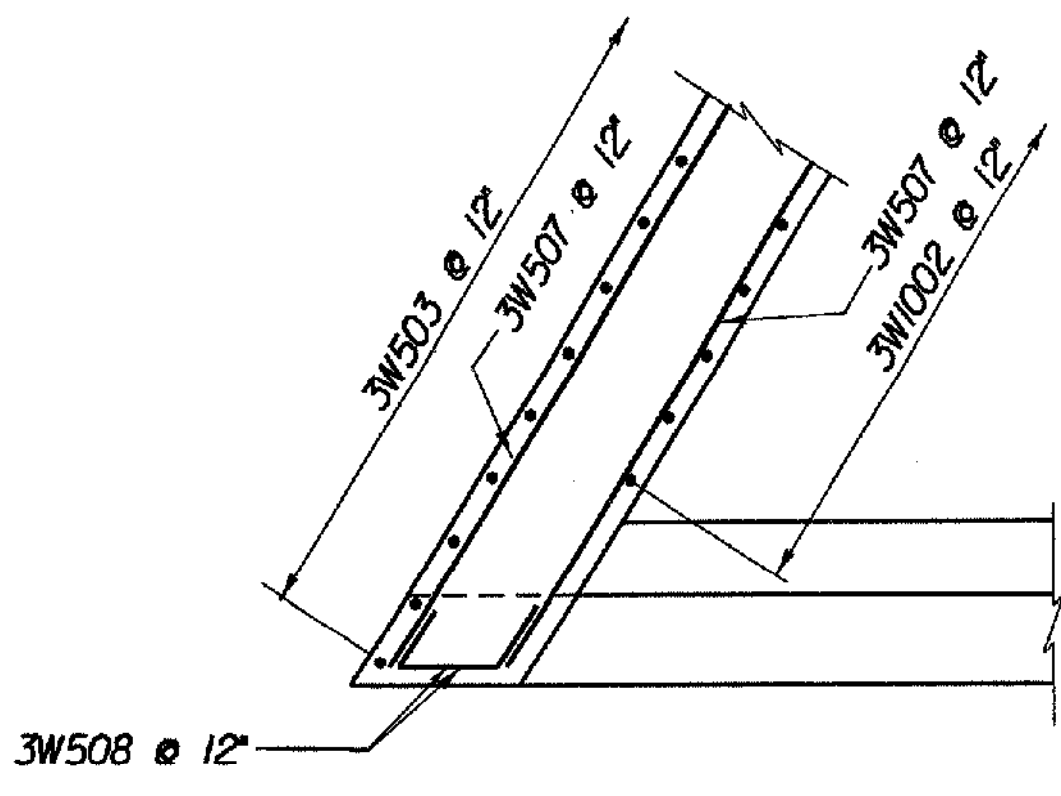
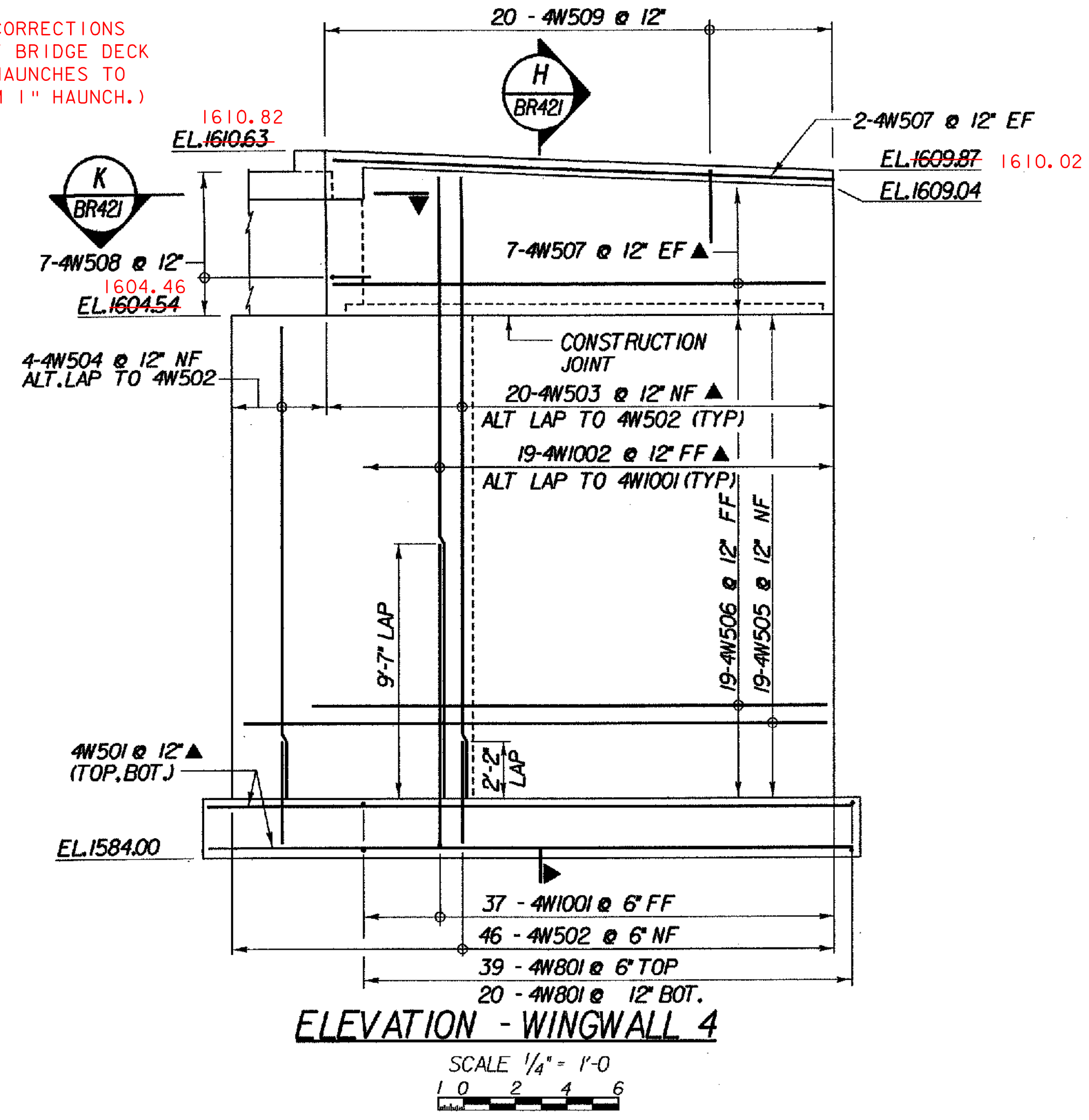
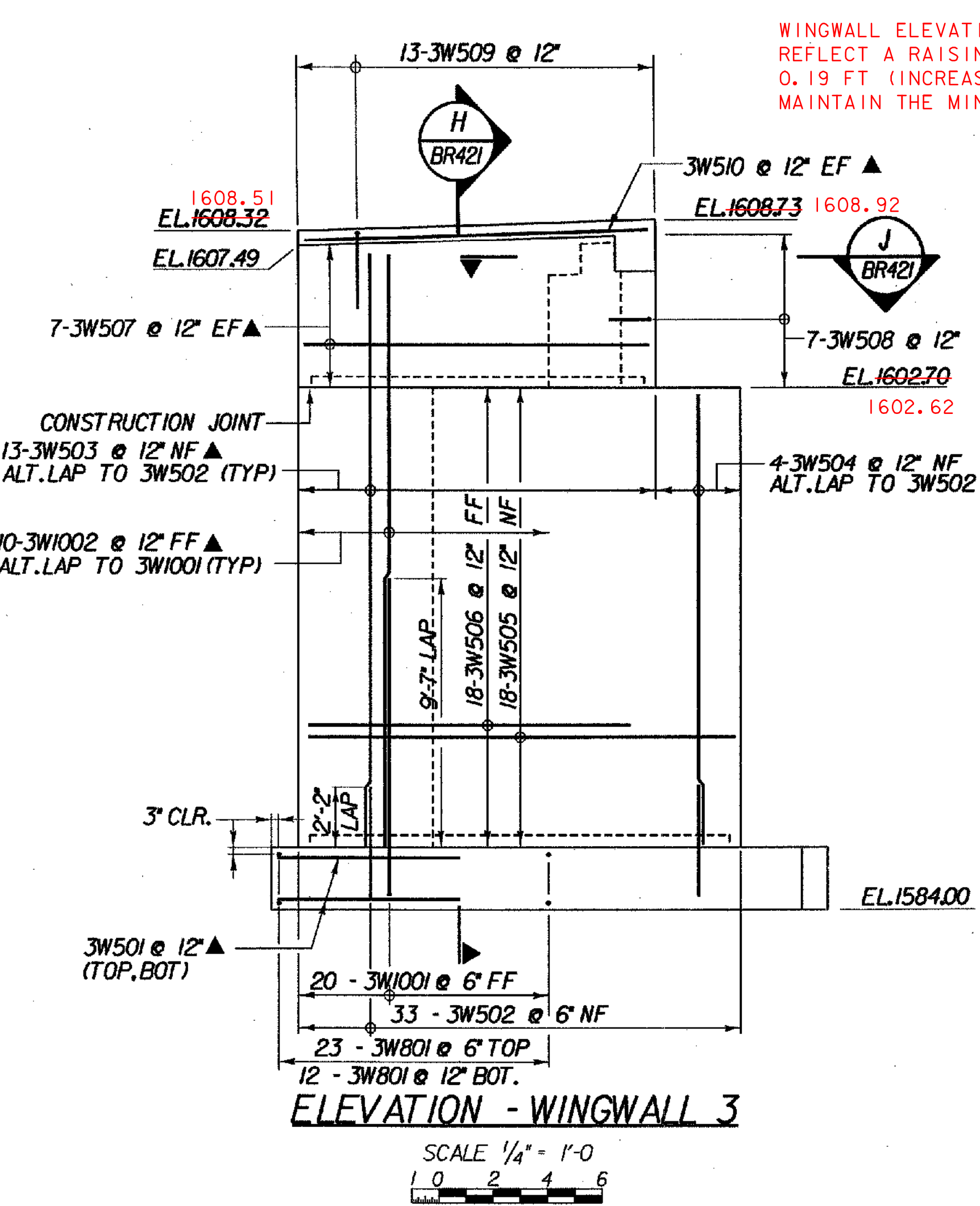


WINGWALL ELEVATION CORRECTIONS
REFLECT A RAISING OF BRIDGE DECK
0.19 FT (INCREASED HAUNCHES TO
MAINTAIN THE MINIMUM 1" HAUNCH.)



KEY:
NF - NEAR FACE
FF - FAR FACE
EF - EACH FACE
▲ - BARS TO BE CUT IN FIELD
◆ - FIELD BEND
* ELEVATIONS APPLY AT NEAR FACE OF BACKWALL.
3" CLR. UNLESS OTHERWISE SPECIFIED ON THE PLANS.

CHA CLOUGH, HARBOUR & ASSOCIATES LLP
ENGINEERS, SURVEYORS, PLANNERS & LANDSCAPE ARCHITECTS
110 WILSONS CIRCLE ALBANY, NEW YORK, 12205

STATE OF VERMONT AGENCY OF TRANSPORTATION			
Town Of	SEARSBURG	Bridge No.	258
Highway No.	VT. RTE. 9	Log Sta.	
		Surv. Sta.	
VT. RTE. 9 OVER DEERFIELD RIVER			
WINGWALL 3 & 4 ELEVATIONS AND SECTION			
Designed By	D. VIENI	Drawn by	J. LAGONE
Checked By	M. OLSTAD	Bridge Design Supervisor	M. OLSTAD
Date	12/2001	Date	12/2001
PROJECT	SEARSBURG - WILMINGTON	PROJECT NO.	NHF 010-108
I.G.C. Info.		Bridge Sheet No.	BR421
		Sheet	227 of 435