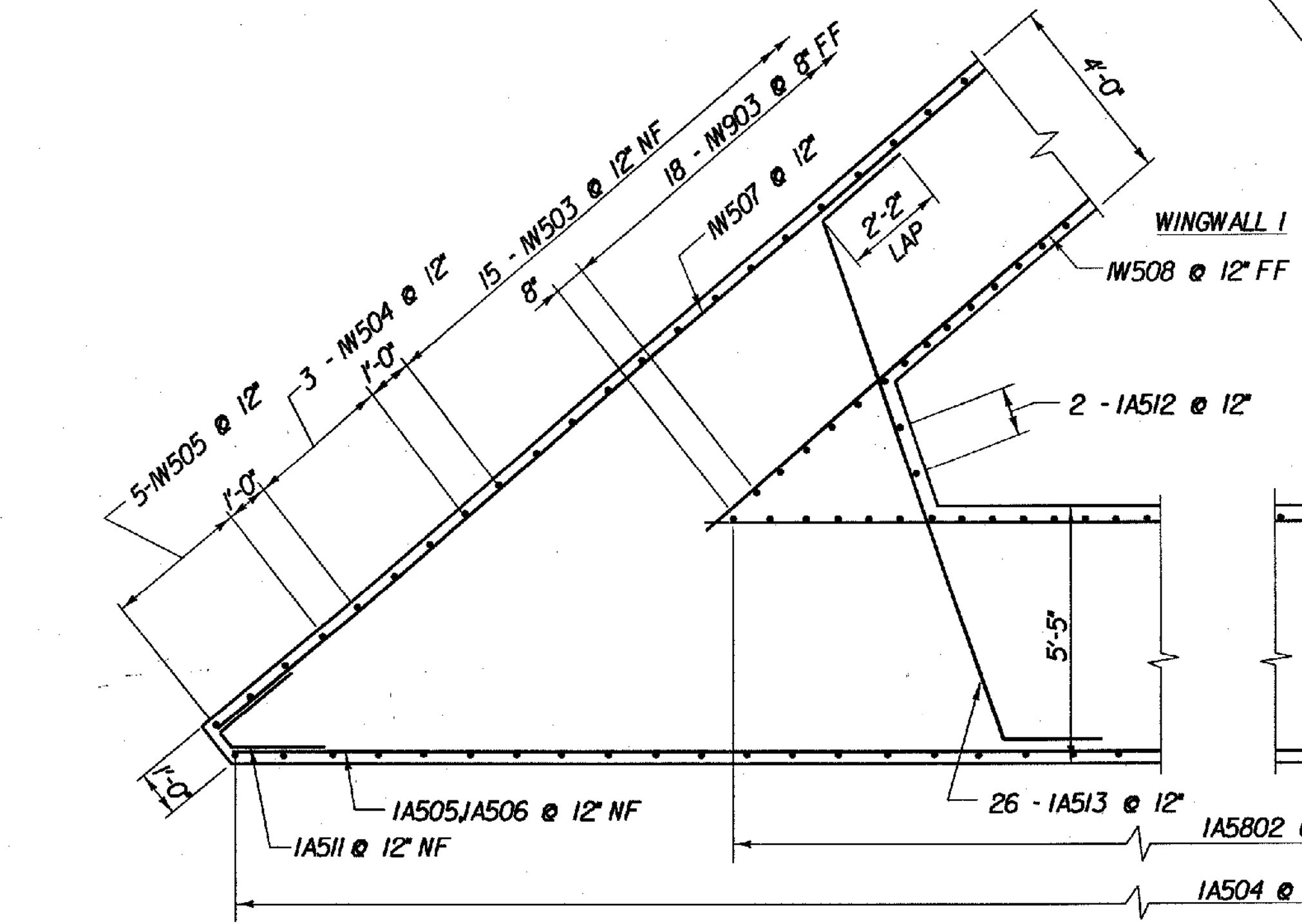


PLAN - APPROACH SLAB I

SCALE 1/4" = 1'-0"
0 2 4 6

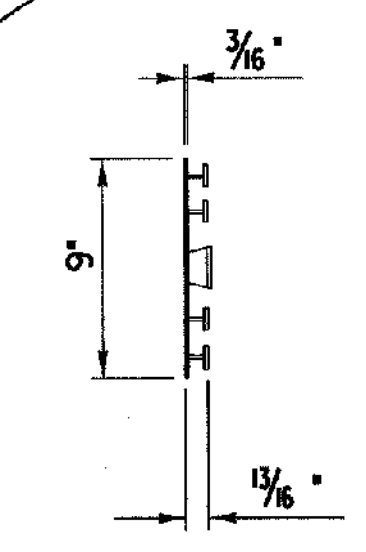


D CORNER AND FILLET DETAILS ABUTMENT 1

SCALE 3/8" = 1'-0"
0 1 2 3 4

APPROACH SLAB FINISH GRADE RAISED 0.19 FT TO MATCH BRIDGE

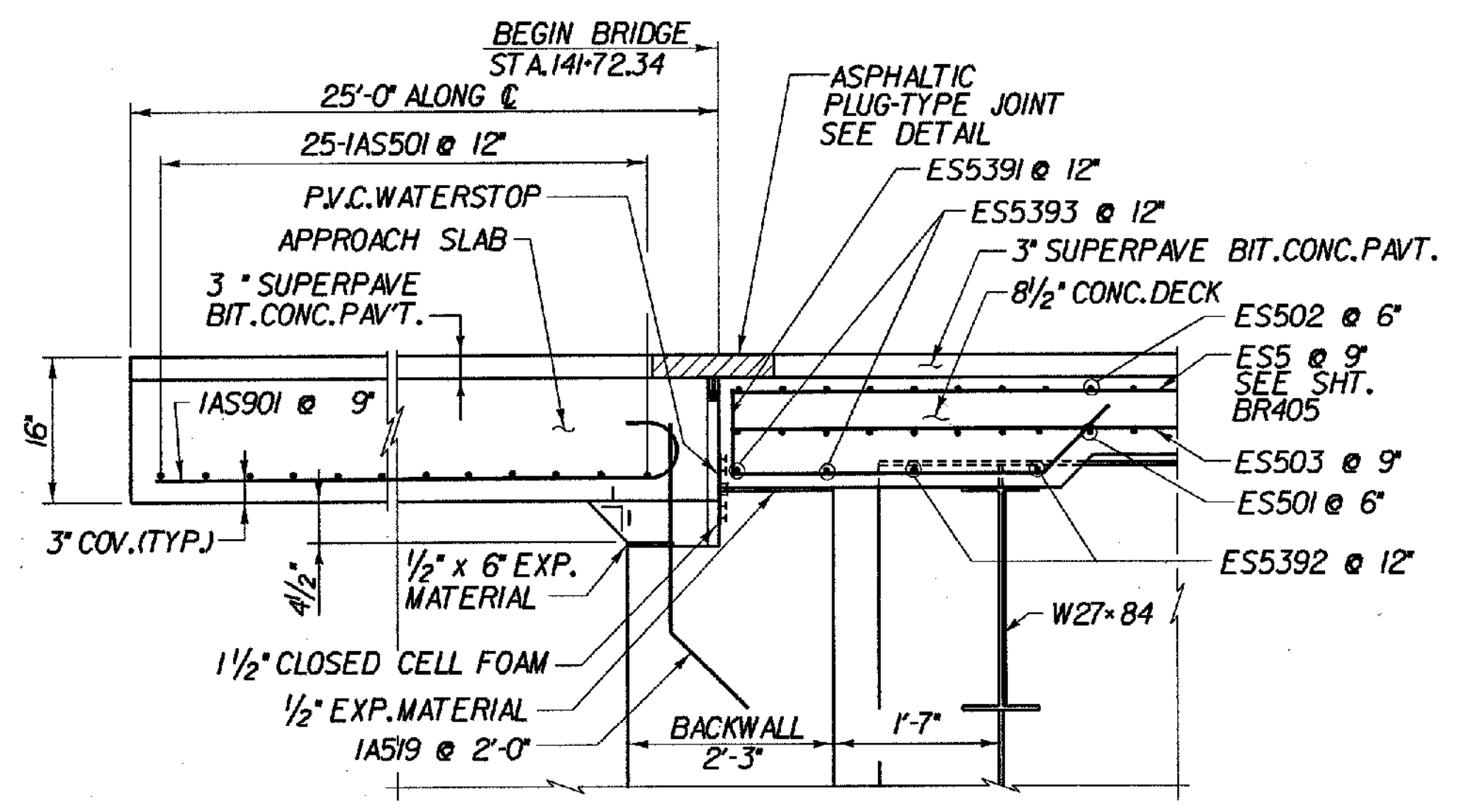
P.V.C. WATERSTOP DETAIL (NOT TO SCALE)



1 CORNER DETAIL

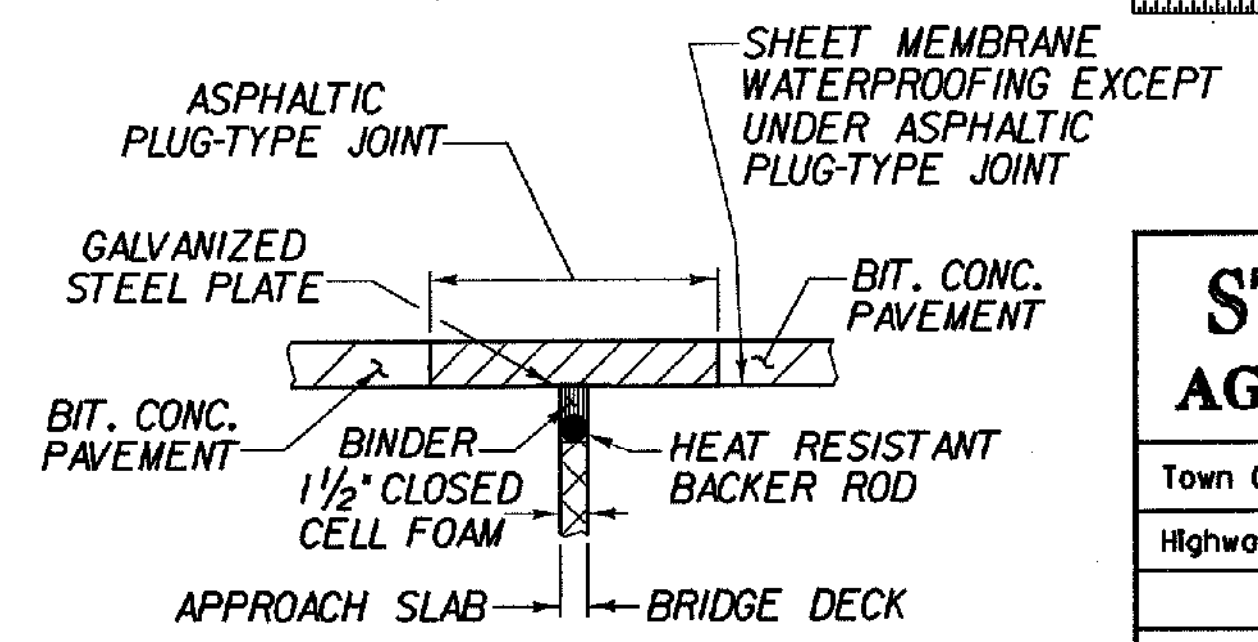
BR419 SCALE 3/4" = 1'-0"
0 1 2

NOTE: FOR LOCATION OF SECTION C-C, SEE SHEET BR213.



F APPROACH SLAB SECTION

SCALE 3/4" = 1'-0"
0 1 2



ASPHALTIC PLUG-TYPE JOINT DETAIL (NOT TO SCALE)

KEY:
 NF - NEAR FACE
 FF - FAR FACE
 EF - EACH FACE
 ▲ - BARS TO BE CUT IN FIELD
 ◆ - FIELD BEND
 * ELEVATIONS APPLY AT NEAR FACE OF BACKWALL
 3" CLR. UNLESS OTHERWISE SPECIFIED ON THE PLANS.

STATE OF VERMONT
 AGENCY OF TRANSPORTATION

Town of	SEARSBURG	Bridge No.	25B
Highway No.	VT. RTE. 9	Log Sta.	
VT. RTE. 9 OVER DEERFIELD RIVER		Surv. Sta.	
APPROACH SLAB I DETAILS			
Designed By	D. VIENI	Drawn by	J. LAGONE/K. DETRICK
Checked By	M. OLSTAD	Date	2/2002
		Bridge Design Supervisor	M. OLSTAD
		Date	2/2002
PROJECT	SEARSBURG - WILMINGTON	PROJECT NO.	NHF 010-1081

CHA CLOUGH, HARBOUR & ASSOCIATES LLP
 ENGINEERS, SURVEYORS, PLANNERS & LANDSCAPE ARCHITECTS
 WINNERS CIRCLE ALBANY, NEW YORK, 12205