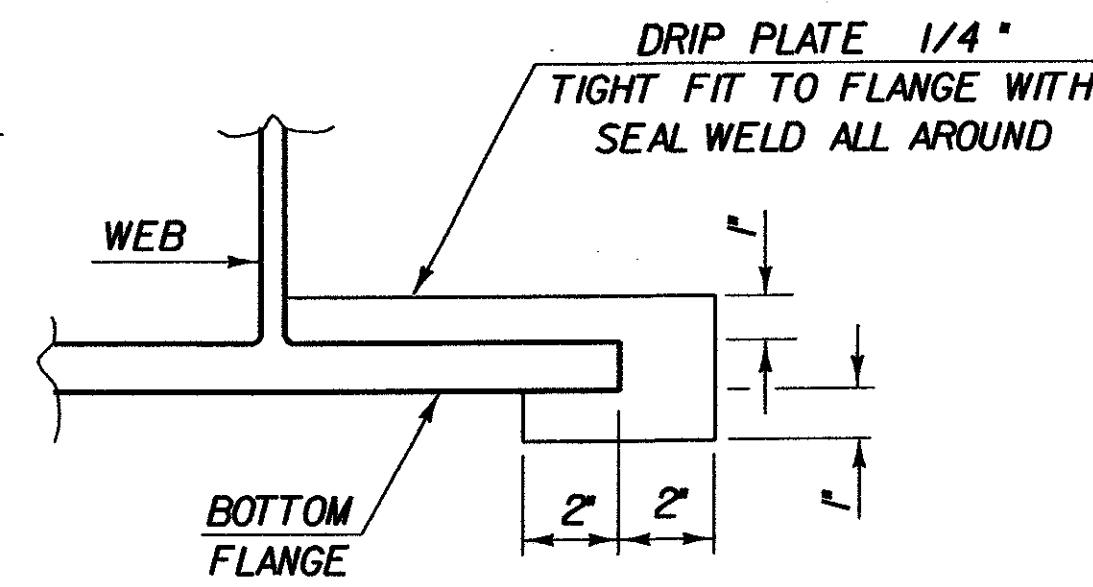
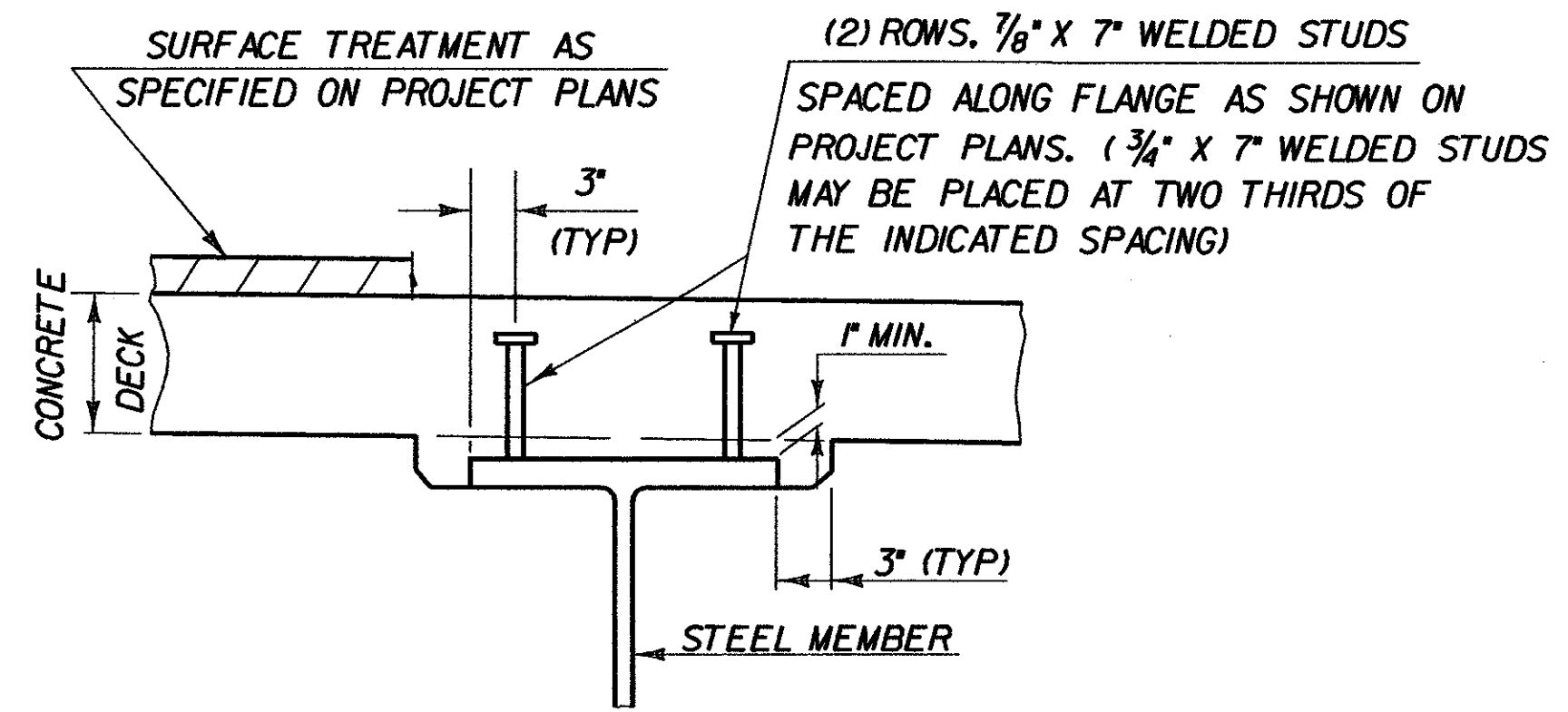


PLAN DRIP PLATE
(NOT TO SCALE)

NOTE: DRIP PLATES SHALL BE PLACED ON OUTSIDE EDGE OF FASCIA GIRDERS ON THE HIGH SIDE OF ALL PIERS, SPLICES AND ABUTMENTS OR AS INDICATED ON PROJECT PLANS.



SECTION A - A
(NOT TO SCALE)



HAUNCH AND SHEAR CONNECTOR DETAILS
(NOT TO SCALE)

FILE NAME = \\s1795\mst\15 BR00268\268_miscell1.plt
 DATE = 12/17/01
 USER = 2225

**STATE OF VERMONT
AGENCY OF TRANSPORTATION**

Town Of	SEARSBURG	Bridge No.	25B
Highway No.	VT. RTE. 9	Log Sta.	
		Surv. Sta.	
VT. RTE. 9 OVER DEERFIELD RIVER			
MISCELLANEOUS DETAIL			
Designed By	D. VIENI	Drawn by	Wm. WEATHERBY
Checked By	M. OLSTAD	Date	12/2001
		Bridge Design Supervisor	M. OLSTAD
		Date	12/2001
PROJECT	SEARSBURG - WILMINGTON	PROJECT NO.	NHF 010-1081
I.G.C. Info.			
Bridge Sheet No.	BR413	Sheet	219 of 435

CHA CLOUGH, HARBOUR & ASSOCIATES LLP
 ENGINEERS, SURVEYORS, PLANNERS & LANDSCAPE ARCHITECTS
 11 WINNERS CIRCLE ALBANY, NEW YORK, 12205