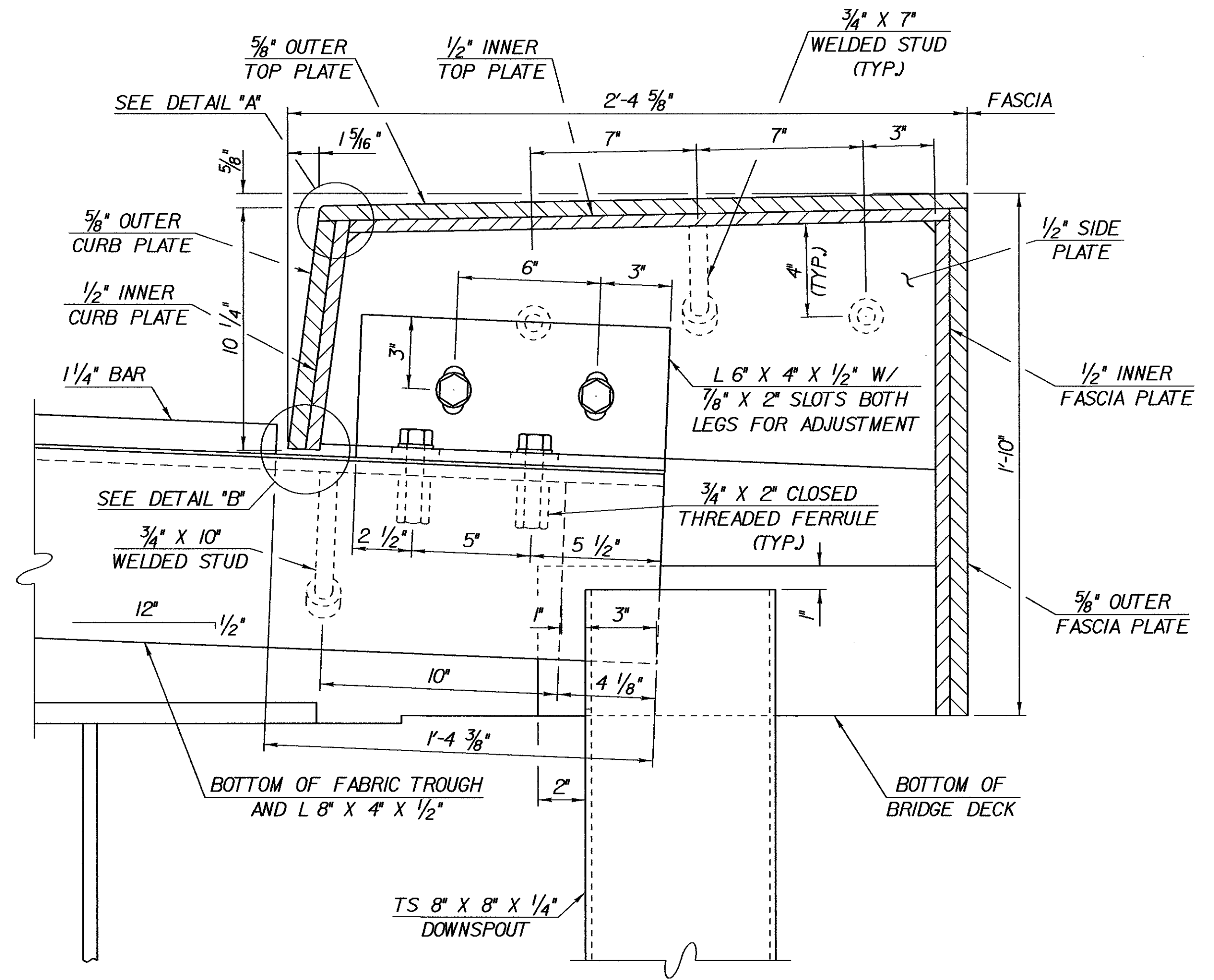
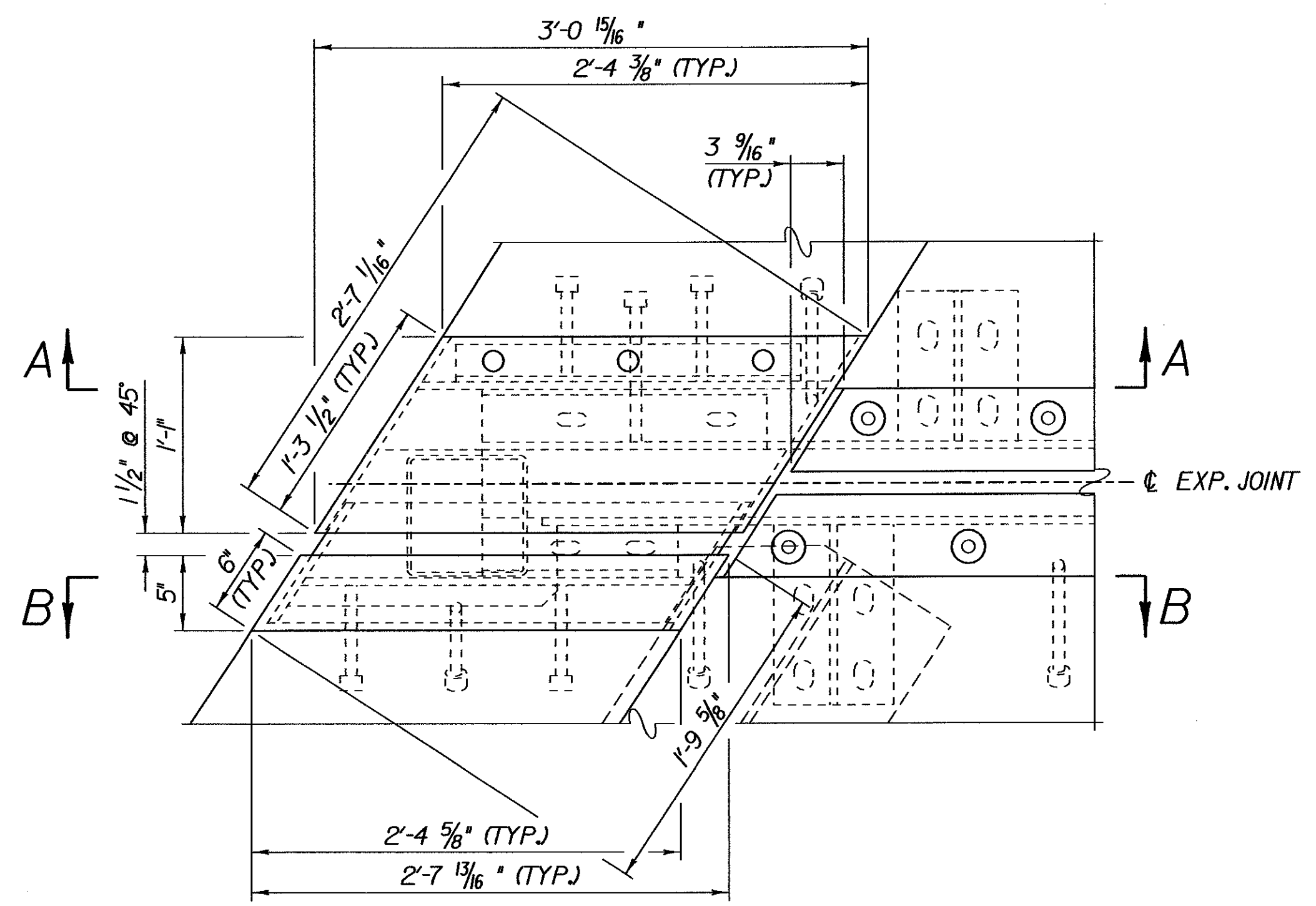


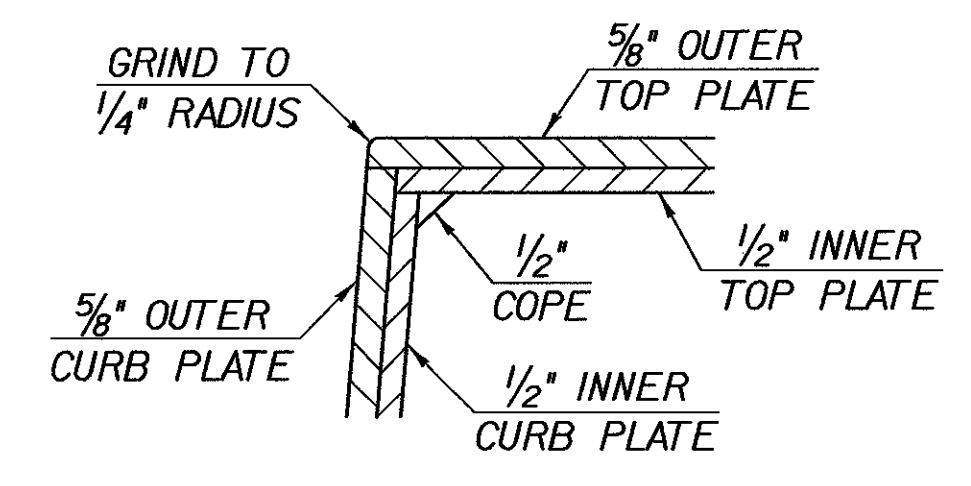
VIEW A - A
SCALE: 3" = 1'-0"



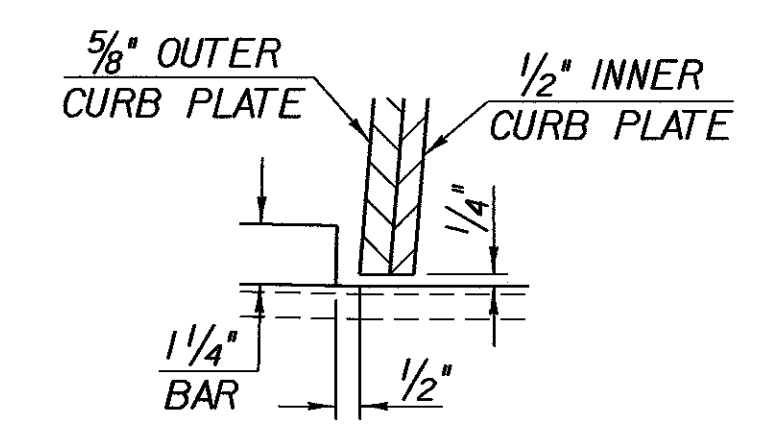
VIEW B - B
SCALE: 3" = 1'-0"



LEFT CURB PLAN @ EXPANSION JOINT
SCALE: 1 1/2" = 1'-0"



DETAIL "A"
SCALE: 3" = 1'-0"



DETAIL "B"
SCALE: 3" = 1'-0"

STATE OF VERMONT AGENCY OF TRANSPORTATION	
Town of SEARSBURG-WILMINGTON	Bridge No. 25B
Highway No. VT. ROUTE 9	Log Sta.
	Surv. Sta.
VT. ROUTE 9 OVER THE DEERFIELD RIVER LEFT CURB PLATE DETAILS - BR 25B	
Designed By G. ROY	Drawn By G. ROY
Checked By R. WHITCOMB	Bridge Design Supervisor
Date 2/02	Date 2/02
PROJECT SEARSBURG-WILMINGTON	PROJECT NO. NHF 010 - 1 (18)
I.G.C. Info. 78d096Structures\sd096exp.dgn	sd096lod.j
Bridge Sheet No. BR 409A	Sheet 213 of 435