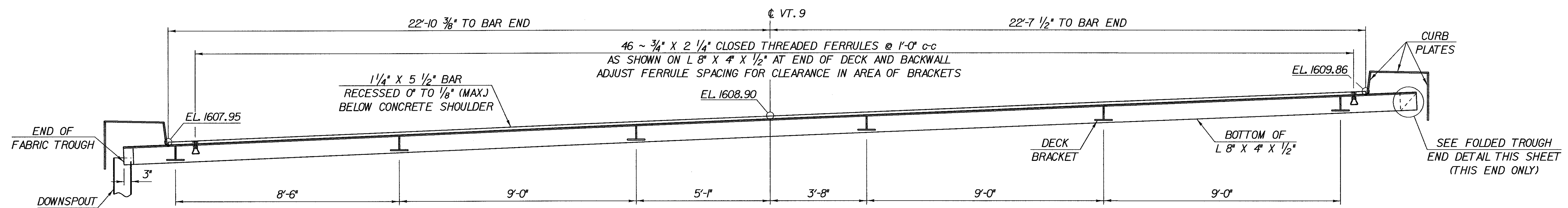
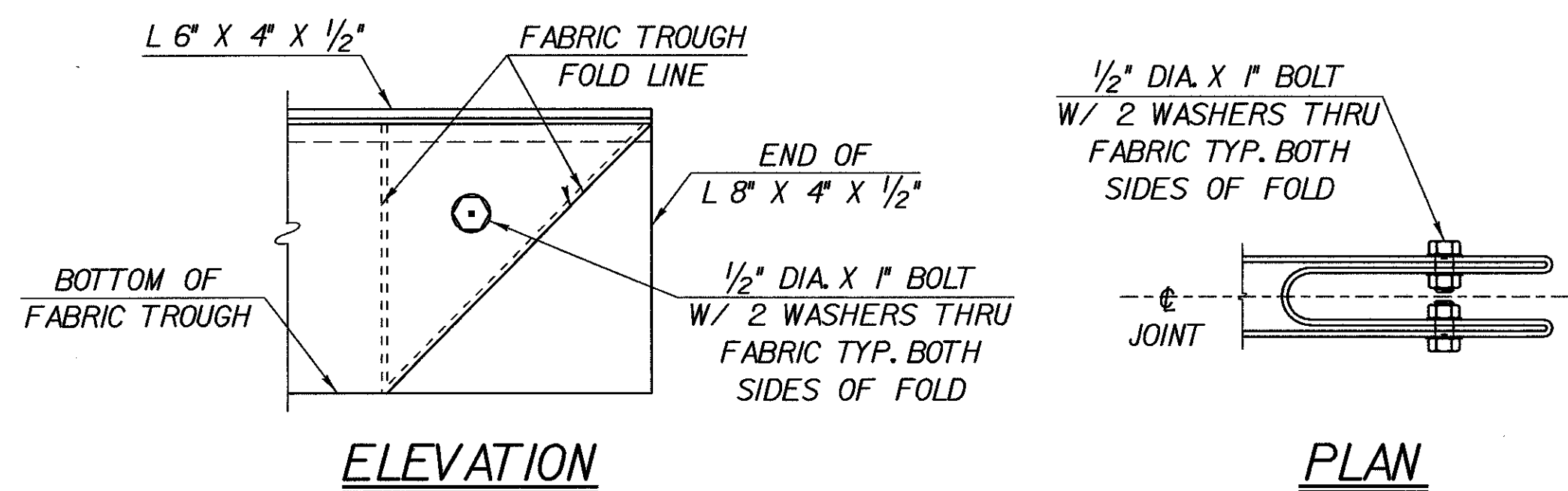


EXPANSION JOINT PLAN
SCALE: 1/2" = 1'-0"



SECTION A - A
SCALE: 1/2" = 1'-0"



FOLDED TROUGH END DETAILS
NOT TO SCALE

STATE OF VERMONT AGENCY OF TRANSPORTATION	
Town of SEARSBURG-WILMINGTON	Bridge No. 25B
Highway No. VT. ROUTE 9	Log Sta. Surv. Sta.
VT. ROUTE 9 OVER THE DEERFIELD RIVER EXPANSION JOINT PLAN - BR 25B	
Designed By G. ROY	Drawn By G. ROY
Checked By R. WHITCOMB	Date 2/02
Bridge Design Supervisor R. R. WHITCOMB	
PROJECT SEARSBURG-WILMINGTON	PROJECT NO. NHF 010 - 1 (18)
I.G.C. Info. 78d096\Structures\sd096exp.dgn sd096e.plt	
Bridge Sheet No. BR402B	Sheet 211 of 435