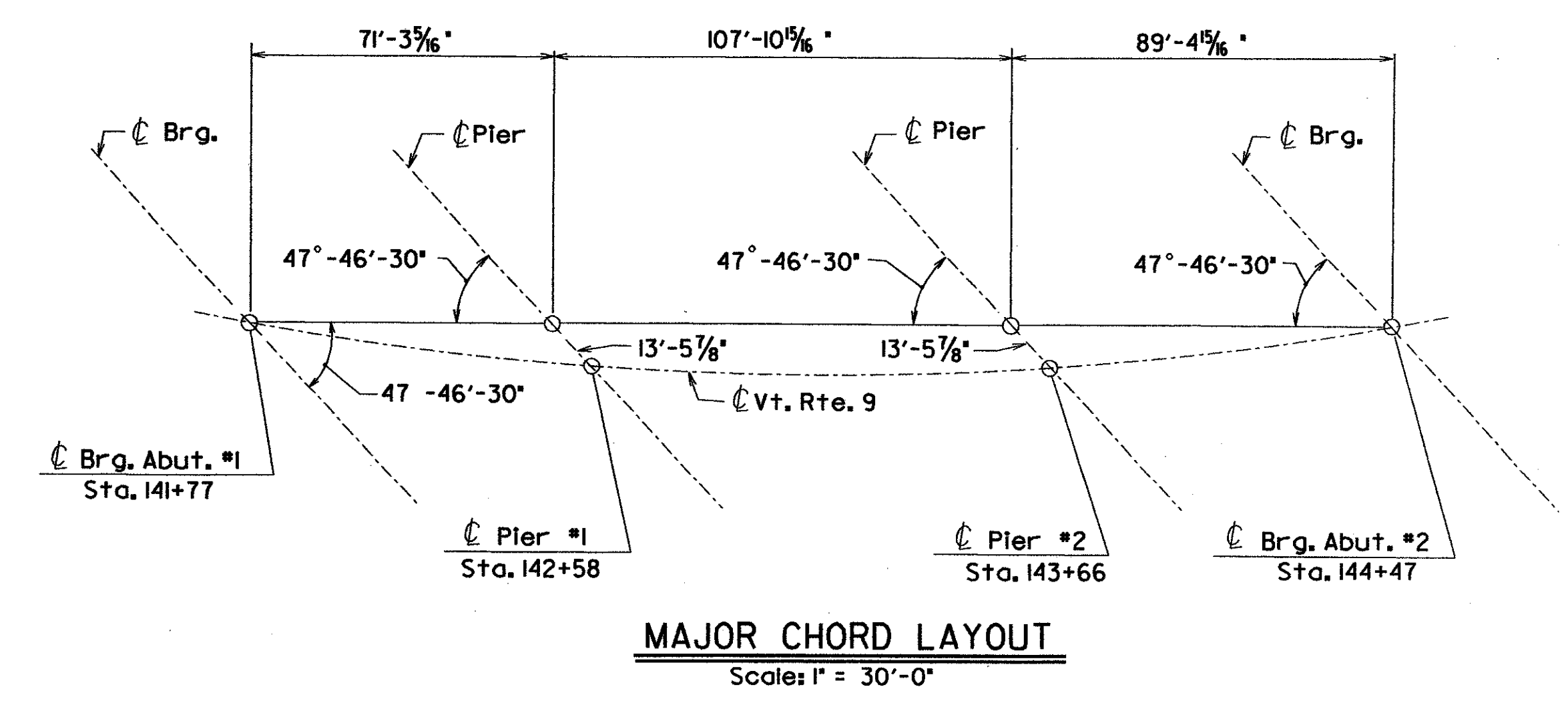
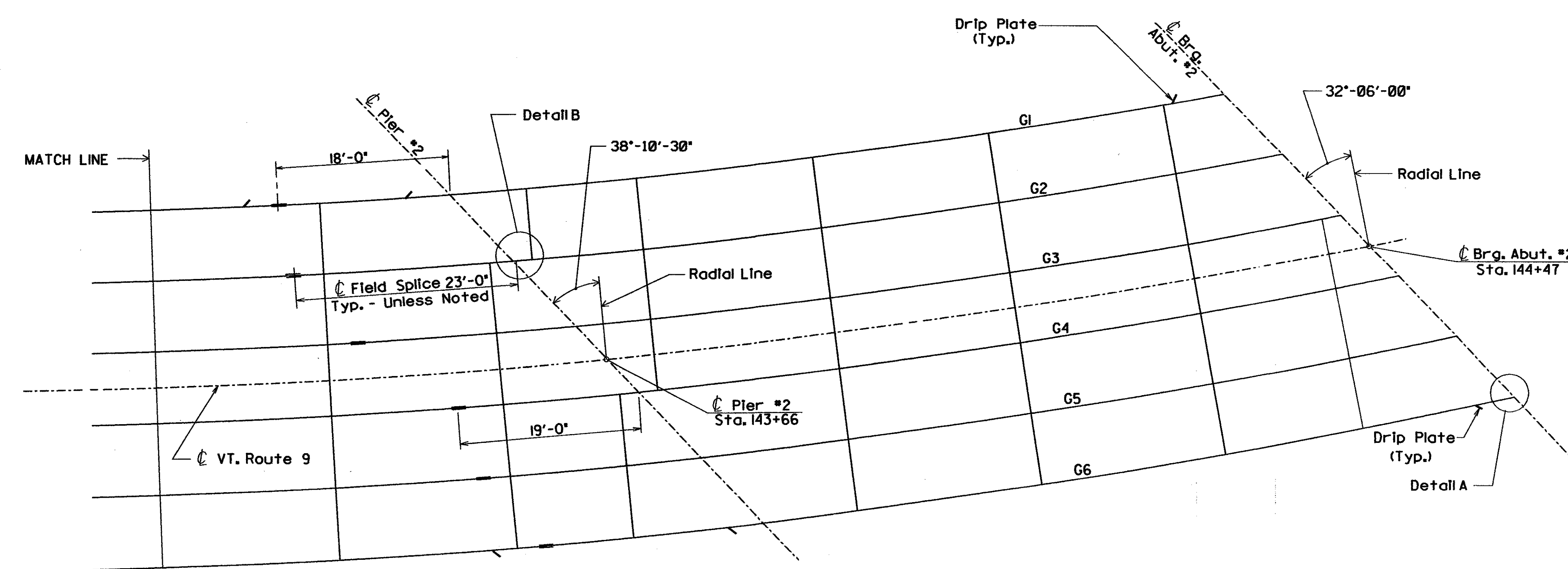
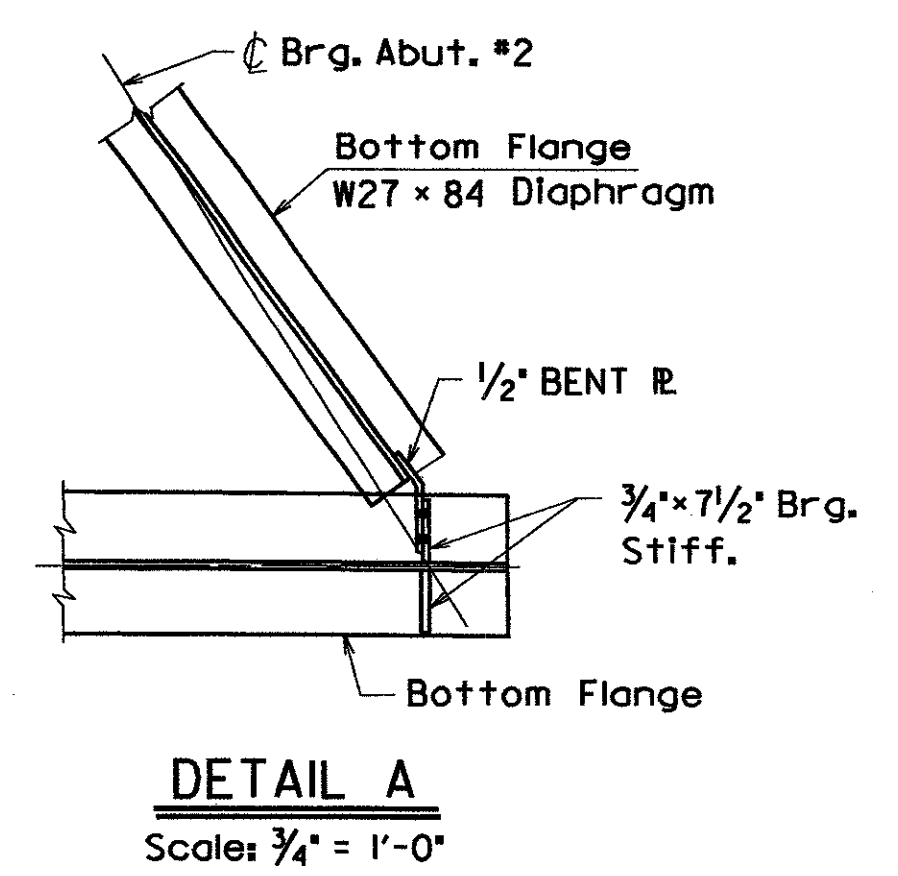
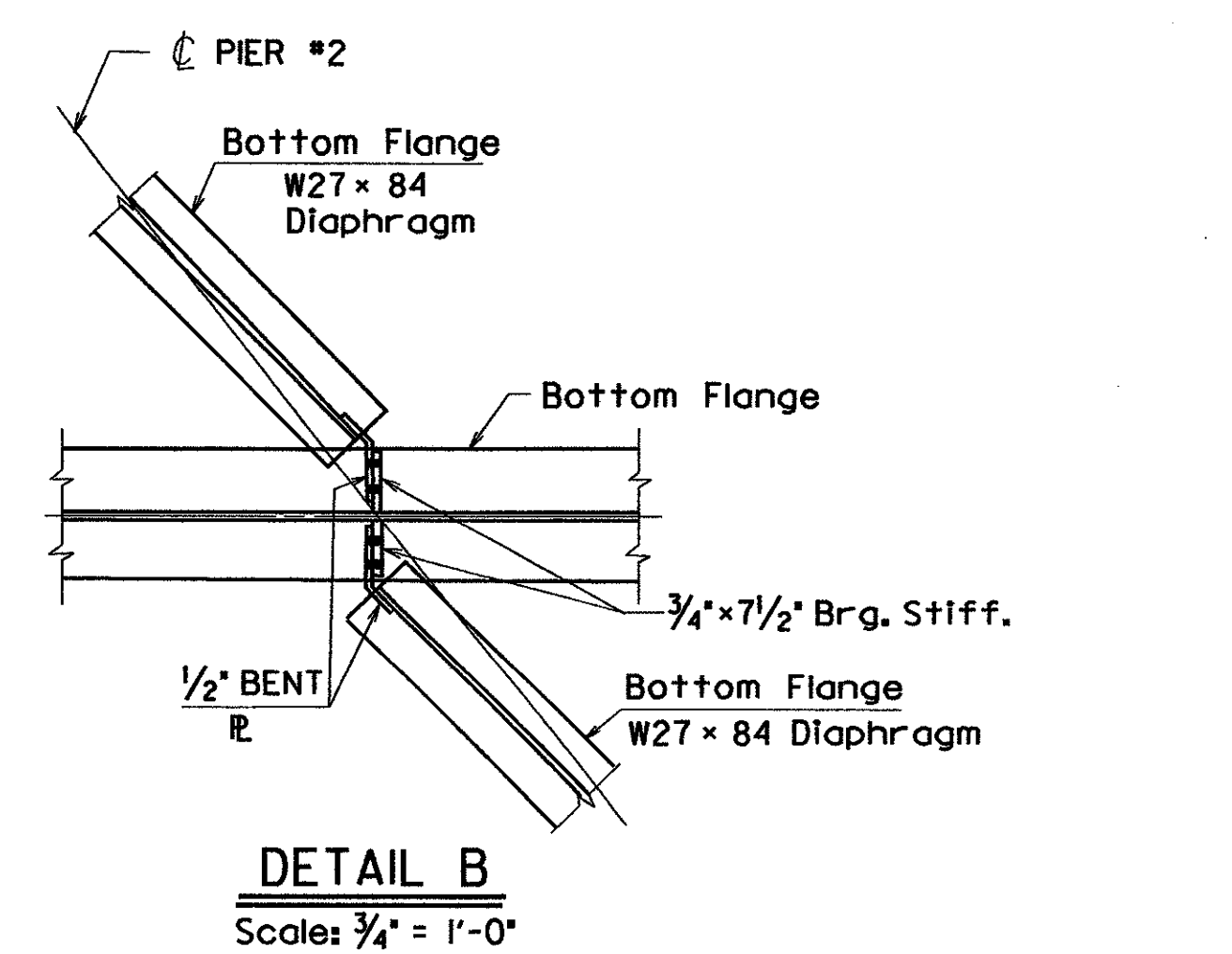
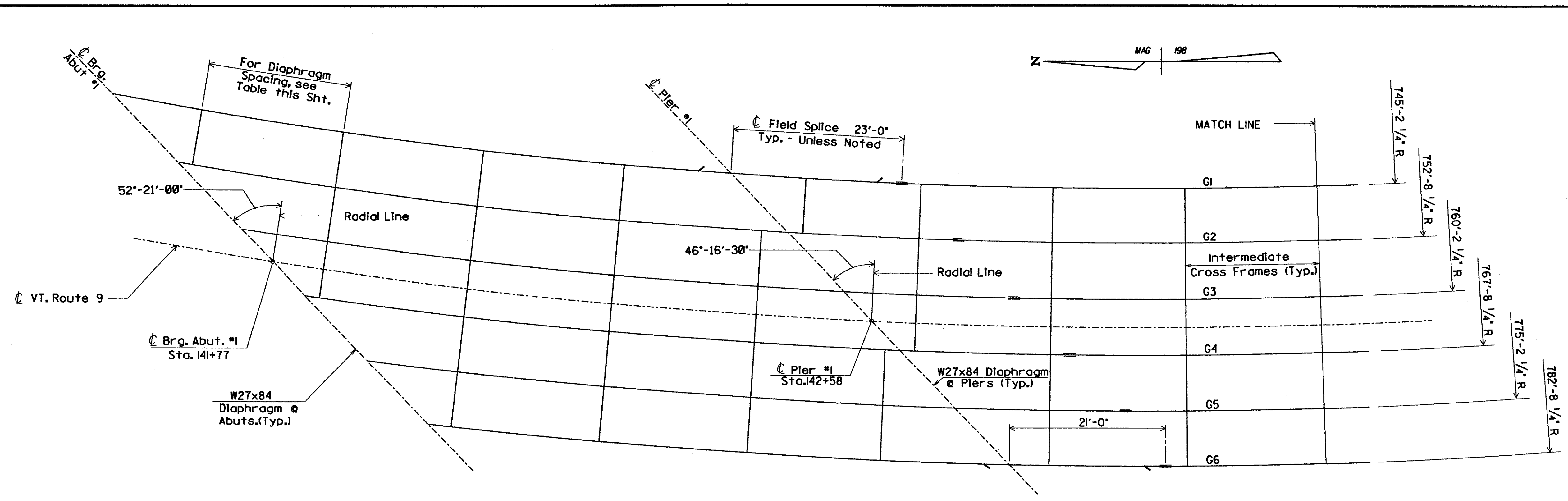


M.J. Job No. 83-3302.0  
 M.J. Br. No. 2  
 M.J. Sht. No. 50



**FRAMING PLAN**  
 SCALE 1/8" = 1'-0"  
 10 2 4 6 8

	← Brg. Abut. #1				← Pier #1				← Pier #2				← Brg. Abut. #2						
	DIAPHRAGM				SPACING														
G1	12'-2 1/8"	19'-3 1/8"	19'-0 1/2"	19'-0 1/2"	14'-4 1/8"	10'-1 1/16"	15'-6"	17'-9 3/16"	17'-9 3/16"	17'-9 3/16"	17'-9 3/16"	13'-8 1/4"	8'-0 1/2"	11'-7 3/8"	18'-7 1/16"	18'-7 1/16"	18'-7 1/16"	6'-5 3/4"	
G2	2'-0"	19'-5 3/8"	19'-2 3/8"	19'-2 3/8"	3'-6 1/2"	2'-0"	15'-7 7/8"	17'-11 1/8"	17'-11 1/8"	17'-11 1/8"	17'-11 1/8"	2'-0"	2'-0"	11'-8 1/16"	18'-9 9/16"	18'-9 9/16"	18'-9 9/16"	11'-4 1/8"	
G3	11'-7 1/8"	19'-5 1/8"	19'-5 1/8"	19'-5 1/8"	11'-7 1/8"	9'-9 1/16"	18'-1 1/2"	18'-1 1/2"	18'-1 1/2"	18'-1 1/2"	18'-1 1/2"	8'-0 1/2"	7'-10 3/16"	19'-0 3/8"	19'-0 3/8"	14'-3 3/4"	2'-0"	2'-0"	
G4	2'-0"	19'-7 3/8"	19'-7 3/8"	19'-7 3/8"	17'-7 3/8"	2'-0"	2'-0"	18'-3 3/8"	18'-3 3/8"	18'-3 3/8"	18'-3 3/8"	18'-3 3/8"	12'-0 3/16"	2'-0"	2'-0"	19'-2 1/16"	19'-2 1/16"	14'-5 1/16"	6'-9"
G5	12'-3 1/16"	19'-9 1/16"	19'-9 1/16"	17'-9 1/16"	9'-8 1/8"	12'-9 3/16"	18'-5 1/16"	18'-5 1/16"	18'-5 1/16"	18'-5 1/16"	18'-5 1/16"	12'-2"	7'-10 1/4"	15'-6 7/8"	19'-4 1/16"	19'-4 1/16"	14'-7 3/8"	11'-5 3/4"	—
G6	3'-1 5/8"	20'-0"	20'-0"	17'-11 1/16"	17'-4 1/8"	5'-4"	18'-7 1/16"	18'-7 1/16"	18'-7 1/16"	18'-7 1/16"	18'-7 1/16"	12'-3 3/8"	13'-8 1/16"	9'-11 1/16"	19'-6 1/16"	19'-6 1/16"	14'-8 1/16"	16'-2 1/16"	—

- NOTES**
- For Diaphragm & Cross Frame Details, see sheet BR404.
  - For Drip Plate Details, see sheet BR413.

**STATE OF VERMONT  
 AGENCY OF TRANSPORTATION**

Town Of SEARSBURG Bridge No. 25 B  
 Highway No. VT. ROUTE 9 Log Sta. 143+11  
 VT. ROUTE 9 OVER DEERFIELD RIVER

**FRAMING PLAN**

Designed By R.P.J. Drawn By C.M.K.  
 Checked By W.J.G. Date 11-85 Bridge Design Supervisor  
 W.T.S. Date 11-85

PROJECT SEARSBURG - WILMINGTON PROJECT NO. FOIO-1181  
 I.G.C. Info.

McFARLAND - JOHNSON ENGINEERS, INC. Bridge Sheet No. BR406 Sheet 208 of 435

FILE NAME: I:\9256\WST\15\BR00258\258\_framing.plt  
 DATE/TIME: 12/12/85  
 USER: J2228