

**PLAN**  
SCALE: 1"=20'-0"

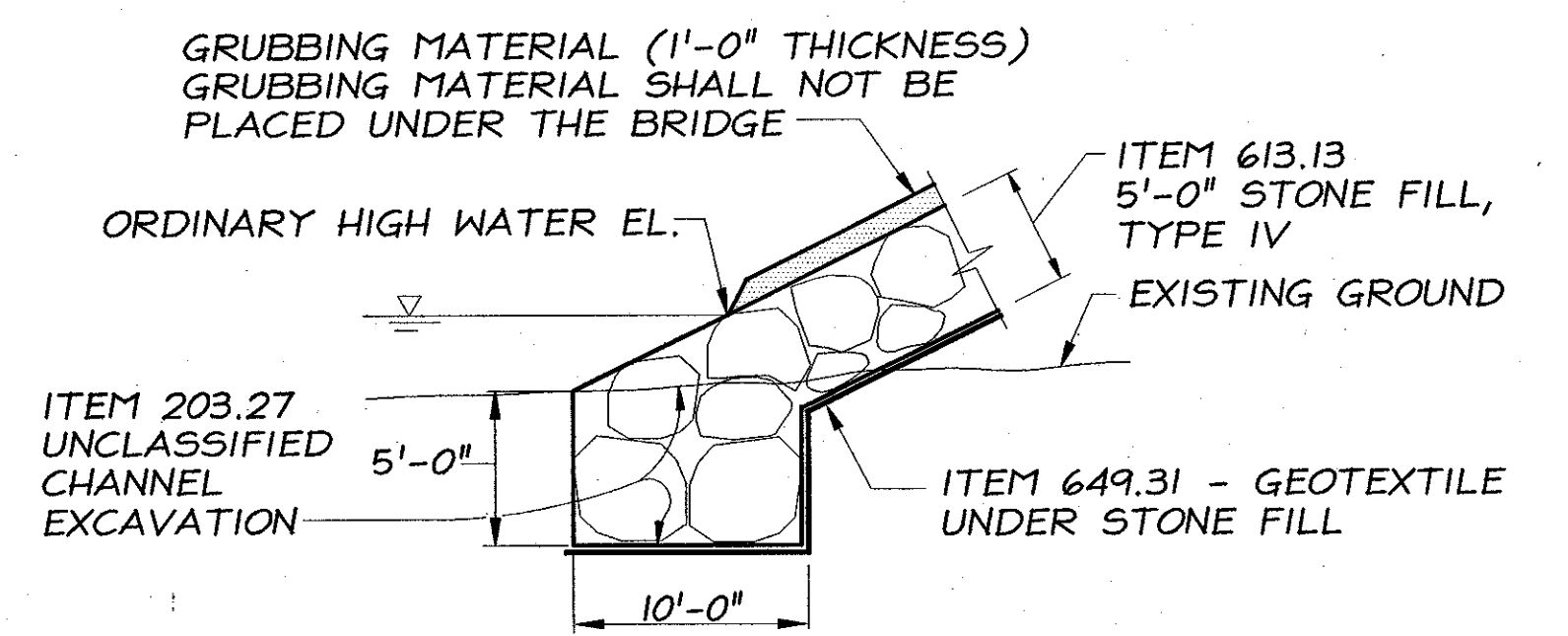
**CURVE DATA**

A = 91°18'18.5" Lt.	L = 1217.40'
D = 7°30'00"	E = 328.96'
R = 763.94'	Bank = 0.070 Ft./Ft.
T = 781.55'	

**GENERAL NOTES:**

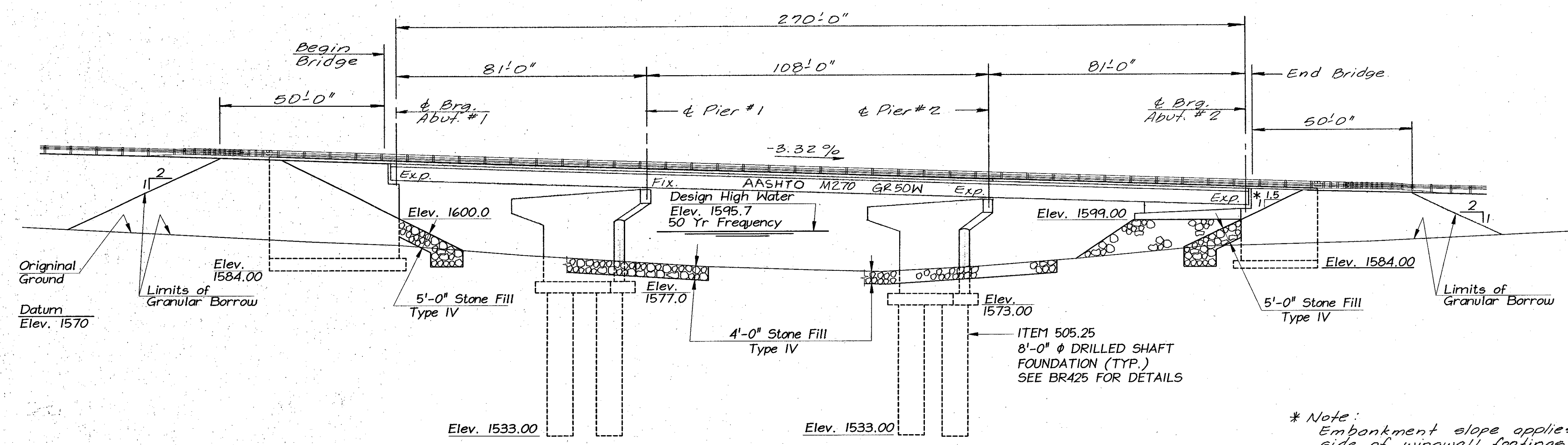
- All surfaces of AASHTO M270, Structural Steel, shall be blast cleaned as specified under section 506.14 (a).
- Bearing Device Assemblies, including anchor bolts, shall be paid for at the unit bid price each for item 531.10 Bearing Device Assembly.
- Water Repellent shall be applied to all exposed concrete surfaces in the abutments, piers and superstructure except area of deck under bituminous surface and the underside of the deck slabs between drip notches.
- Drip notches are to be discontinued 4'-0" upgrade from from Abutment No. 2, Pier No. 1 and Pier No. 2.

SEE SHEET BR 4 FOR MORE GENERAL NOTES



**TYPICAL EMBANKMENT PROTECTION DETAIL**  
(NOT TO SCALE)

Note:  
Topsoil will be stripped under Granular Borrow, Item 203.32.



**ELEVATION**  
SCALE: 1"=20'-0"

\* Note:  
Embankment slope applies also at side of wingwall footings.

<b>STATE OF VERMONT</b>	
<b>AGENCY OF TRANSPORTATION</b>	
TOWN OF SEARSBURG	Bridge No. 25 B
HIGHWAY NO. VT. ROUTE 9	Log Sta.
VT. ROUTE 9 OVER DEERFIELD RIVER	Surv. Sta. 143+11
PLAN, ELEVATION AND GENERAL NOTES	
Designed by W.T.S.	Drawn by J.J.R.
Checked by R.P.U.	Bridge Design Supervisor
date 11/85	W.T.S. date 9-84
PROJECT SEARSBURG-WILMINGTON	PROJECT NO. FD10-1(18)
Bridge Sheet No. BR402	Sheet 204 of 435

Revisions: by CLOUGH HARBOUR & ASSOC. LLP	App'd. By: MWO	Date: 6/01	McFARLAND - JOHNSON ENGINEERS, INC.
▲ REVISED WINGWALLS, ELEVATIONS, PIER FOUNDATIONS			

M.L. Job No. 83-3302  
 M.L. Sy No. 2  
 M.L. Sy No. 2  
 BRIDGE 44 31 40151