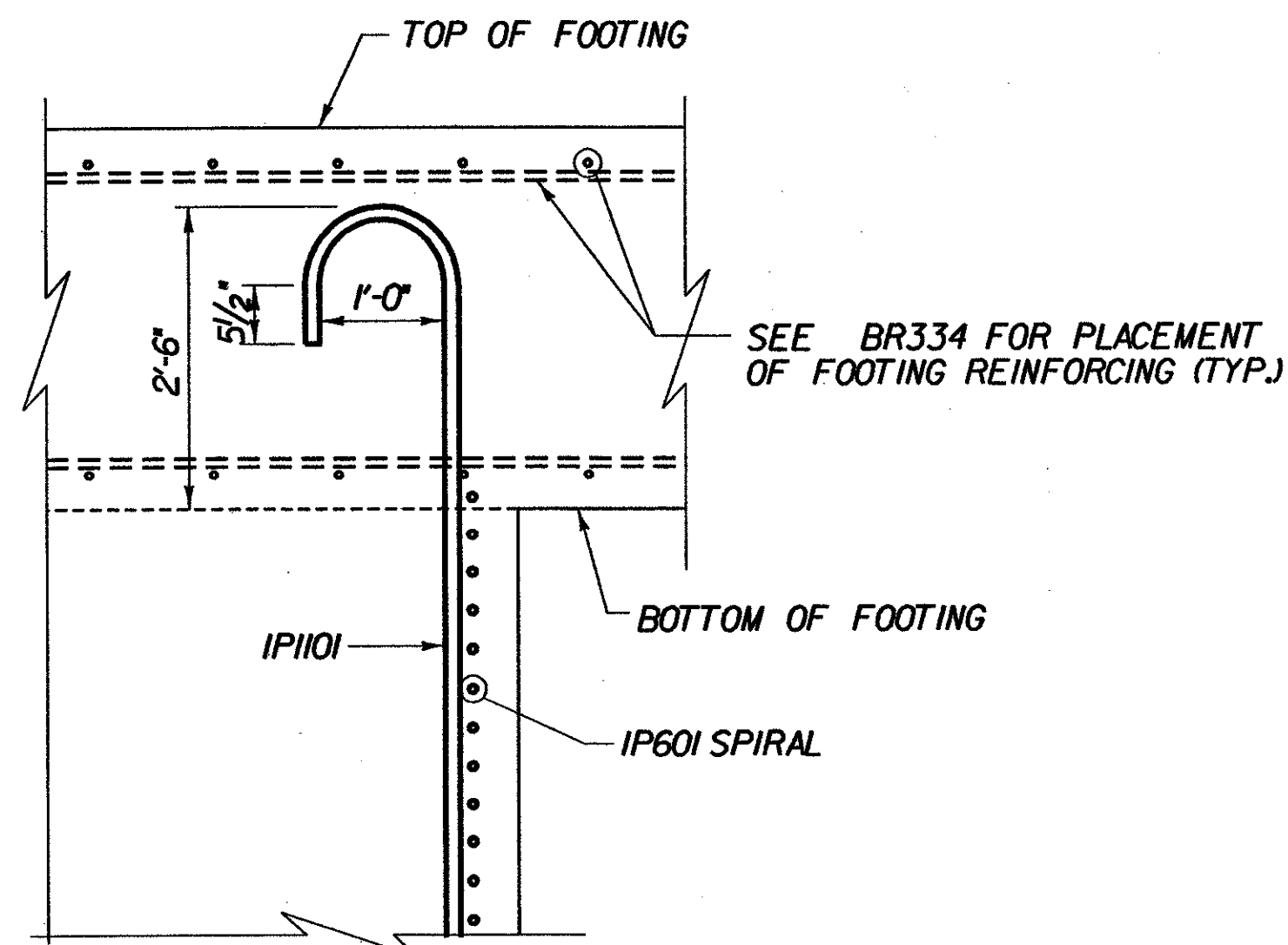


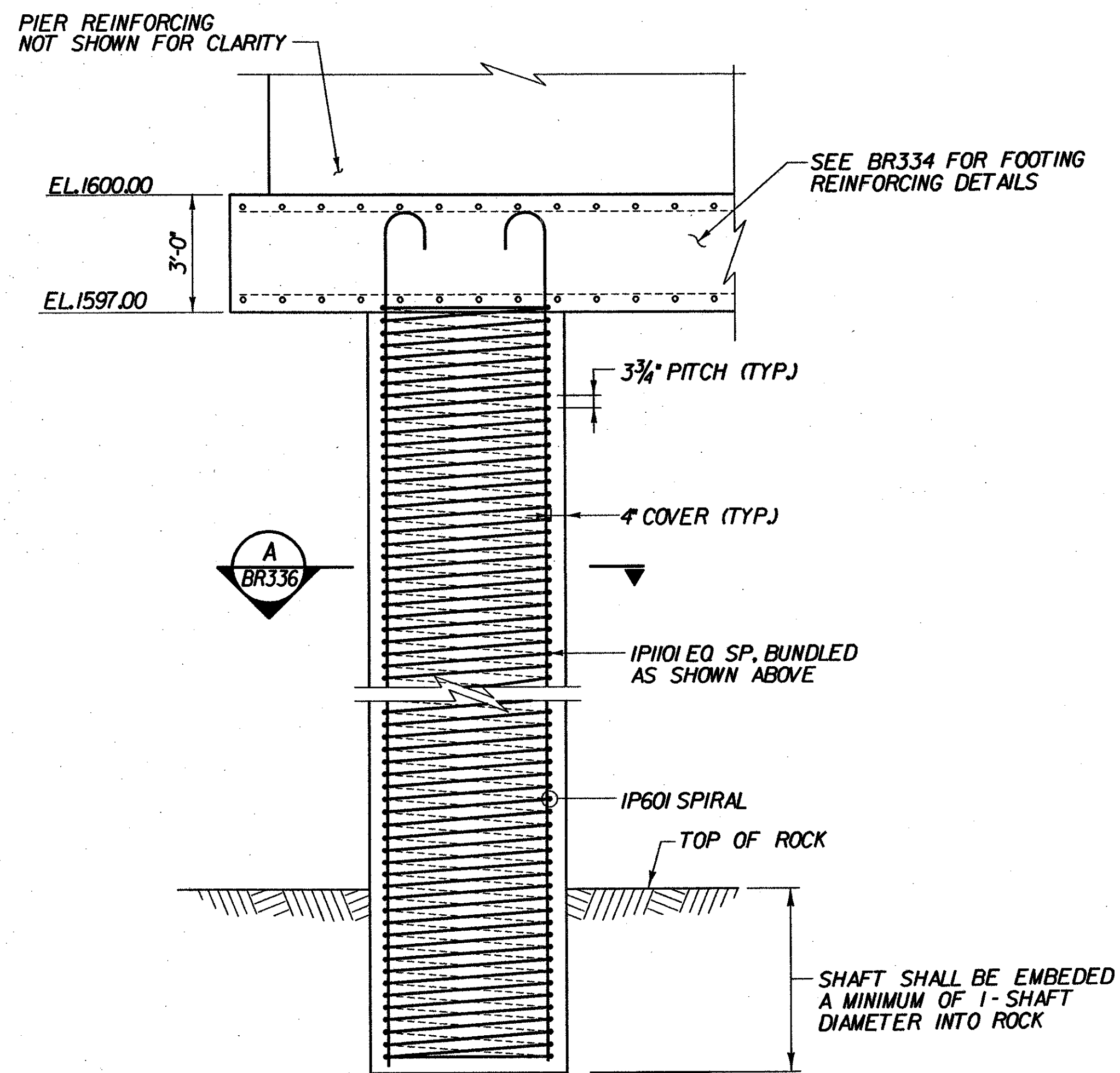
A 5'-0" Ø DRILLED SHAFT SECTION

BR336 SCALE 3/4" = 1'-0"



B 5'-0" Ø DRILLED SHAFT SECTION

BR336 SCALE 3/4" = 1'-0"



TYPICAL 5'-0" Ø DRILLED SHAFT - PIER 1

SCALE 3/8" = 1'-0"

NOTES:
1. FOR DRILLED SHAFT NOTES, SEE BRIDGE SHEET BR3.

KEY:
NF - NEAR FACE
FF - FAR FACE
EF - EACH FACE
▲ - CUT TO FIT IN FIELD
3" CLR. FOR FOOTINGS.
4" CLR. FOR PIER STEM & DRILLED SHAFTS UNLESS OTHERWISE SPECIFIED ON THE PLANS.

**STATE OF VERMONT
AGENCY OF TRANSPORTATION**

Town Of	SEARSBURG	Bridge No.	25A
Highway No.	VT. RTE. 9	Log Sta.	
		Surv. Sta.	
VT. RTE. 9 OVER DEERFIELD RIVER			
PIER 1 DRILLED SHAFT - BR 25A			
Designed By	D. VIEN	Drawn by	K. DETRICK/WmWEATHERBY
Checked By	M. OLSTAD	Date	12/2001
		Bridge Design Supervisor	M. OLSTAD Date 12/2001
PROJECT	SEARSBURG - WILMINGTON	PROJECT NO.	NHF 010-(118)
I.G.C. Info.		Bridge Sheet No. BR336	

CHA CLOUGH, HARBOUR & ASSOCIATES LLP
ENGINEERS, SURVEYORS, PLANNERS & LANDSCAPE ARCHITECTS
WINNERS CIRCLE ALBANY, NEW YORK, 12205