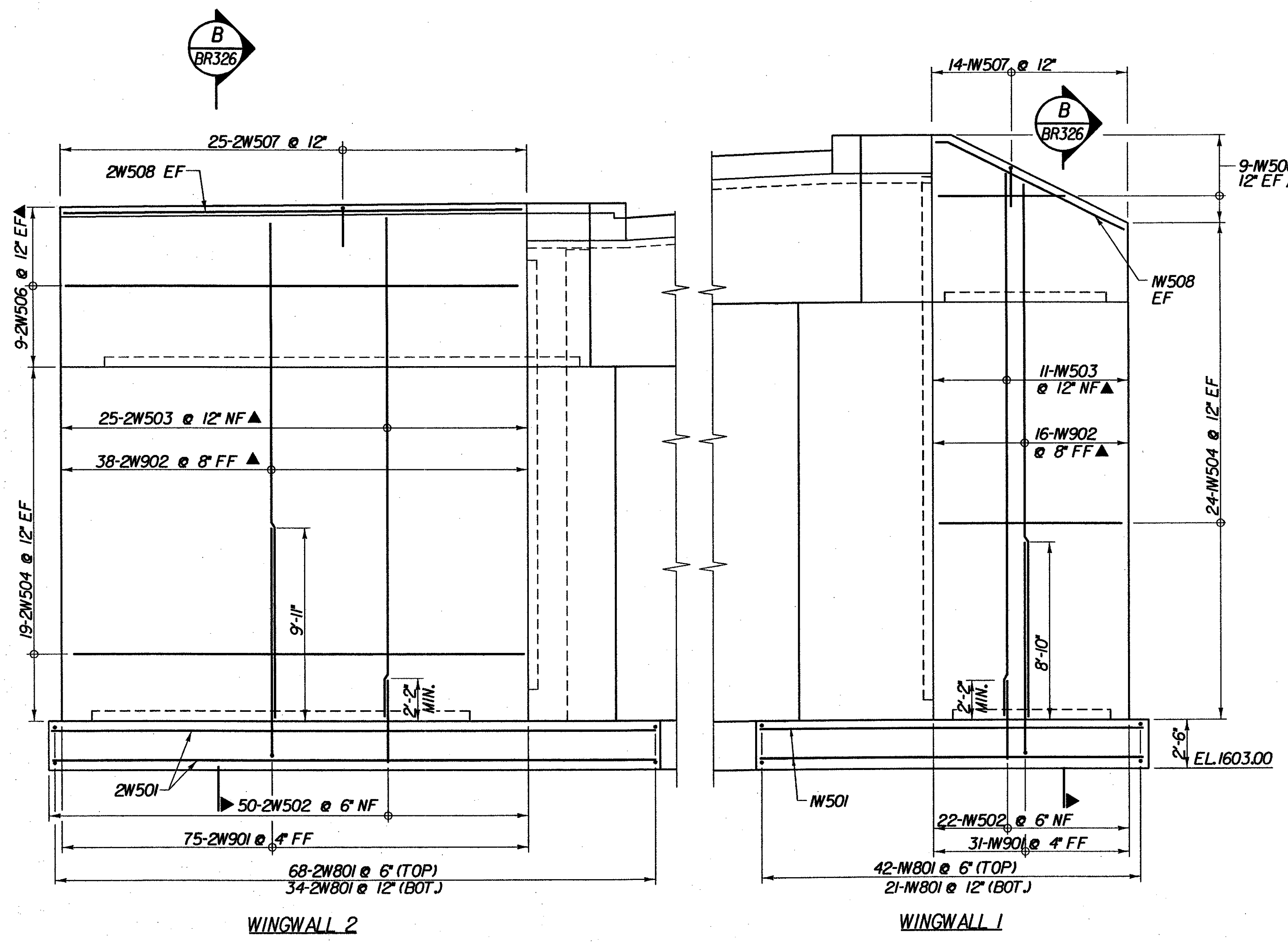
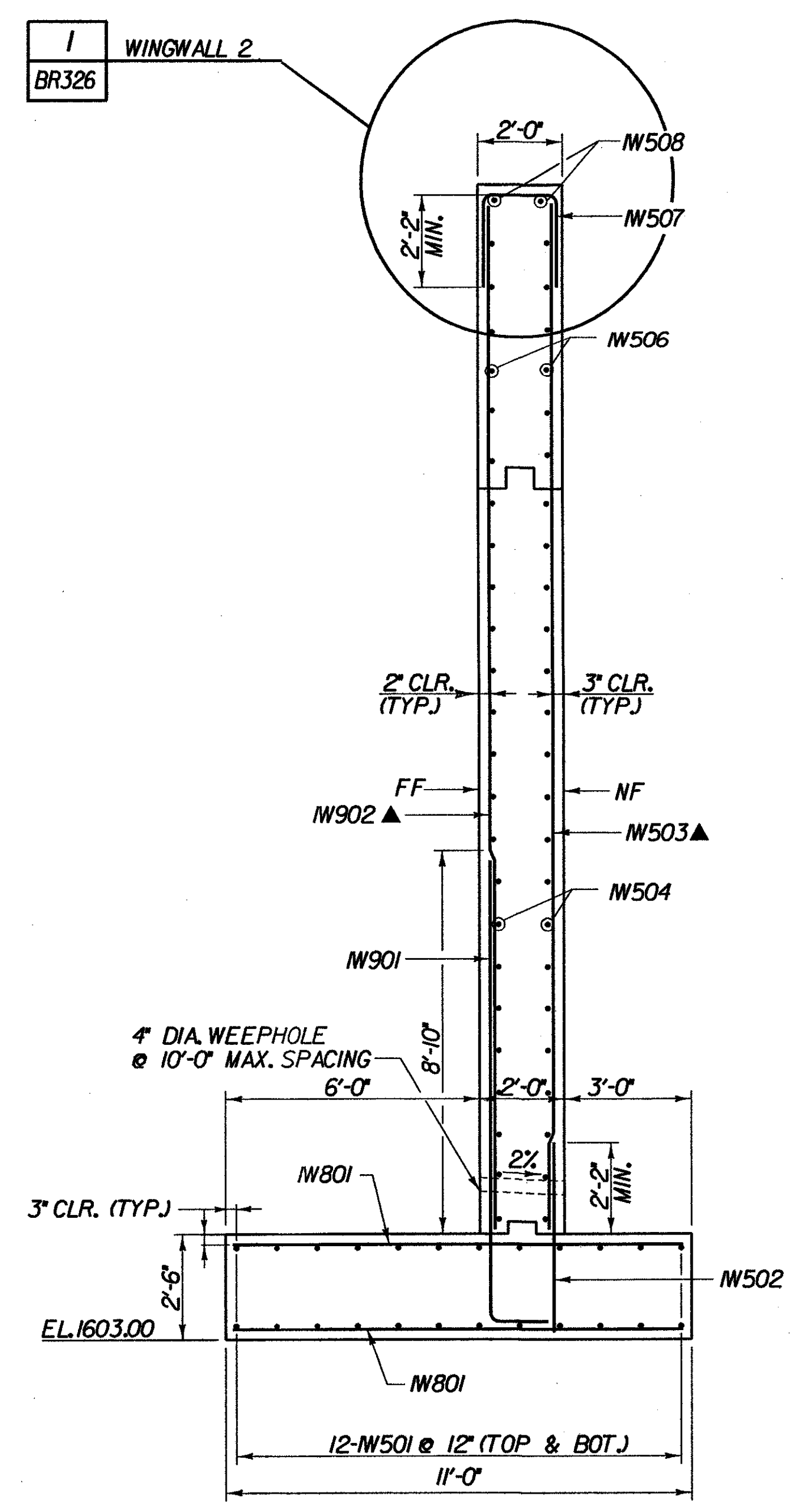


FILE NAME = \\s17551\mstn15\BR025A\25a_cblidtah3.plt
 DATE/TIME = 12/12/01
 USER = 2225

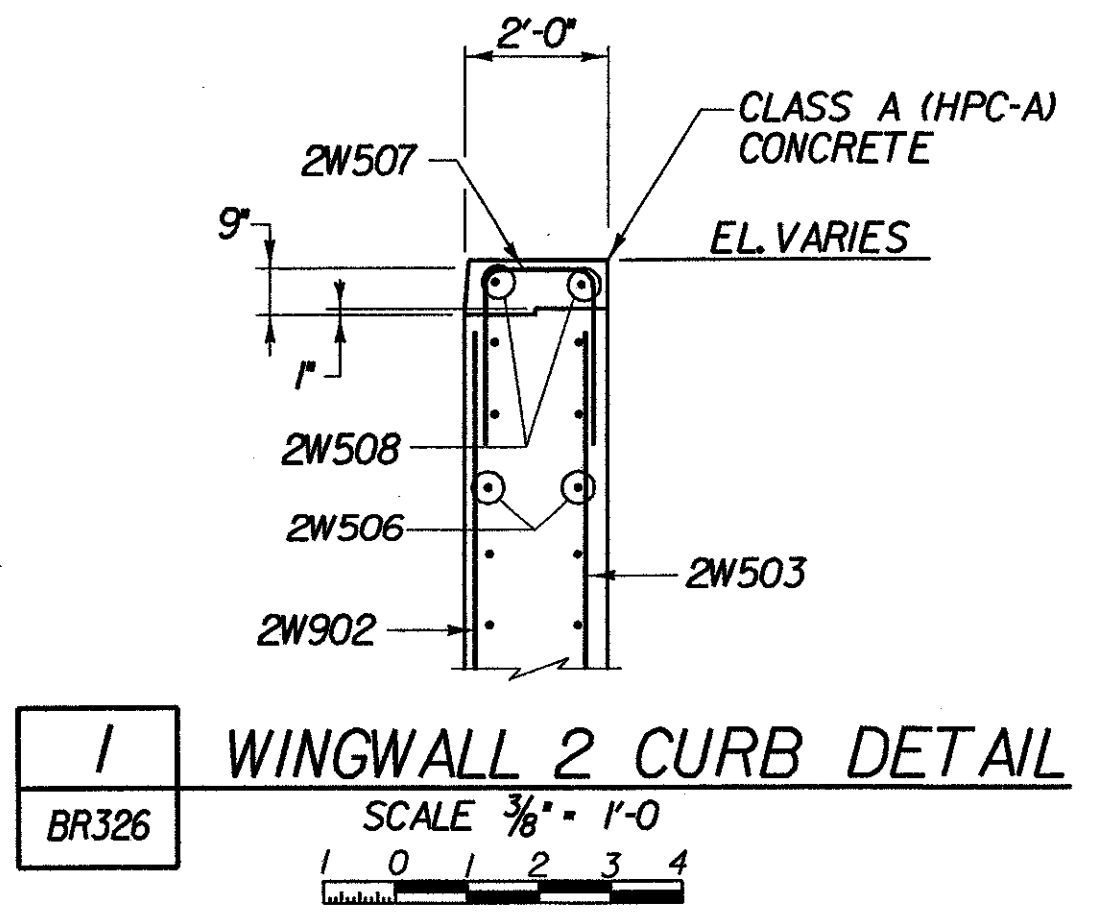


WINGWALL 2
 WINGWALL 1
ABUTMENT 1 WINGWALL REINFORCING ELEVATIONS - BR 25A

SCALE 1/4" = 1'-0"
 1 0 2 4 6



TYPICAL WINGWALL SECTION - BR 25A
 (WW 1 SHOWN, WW 2 SIMILAR)
 SCALE 3/8" = 1'-0"
 1 0 1 2 3 4



WINGWALL 2 CURB DETAIL
 SCALE 3/8" = 1'-0"
 1 0 1 2 3 4

KEY:
 NF - NEAR FACE
 FF - FAR FACE
 EF - EACH FACE
 ▲ - CUT TO FIT IN FIELD
 3" CLR. UNLESS OTHERWISE SPECIFIED ON THE PLANS.

STATE OF VERMONT AGENCY OF TRANSPORTATION			
Town Of	SEARSBURG	Bridge No.	25A
Highway No.	VT. RTE. 9	Log Sta.	
		Surv. Sta.	
VT. RTE. 9 OVER DEERFIELD RIVER			
ABUTMENT 1 WINGWALL REINFORCING - BR 25A			
Designed By	D. VIEN	Drawn by	Wm WEATHERBY
Checked By	M. OLSTAD	Bridge Design Supervisor	M. OLSTAD
Date	12/2001	Date	12/2001
PROJECT	SEARSBURG - WILMINGTON	PROJECT NO.	NHF 010-1018
I.G.C. Info.		Bridge Sheet No. BR326	
		Sheet 190 of 435	

CHA CLOUGH, HARBOUR & ASSOCIATES LLP
 ENGINEERS, SURVEYORS, PLANNERS & LANDSCAPE ARCHITECTS
 11 WINNERS CIRCLE ALBANY, NEW YORK, 12205