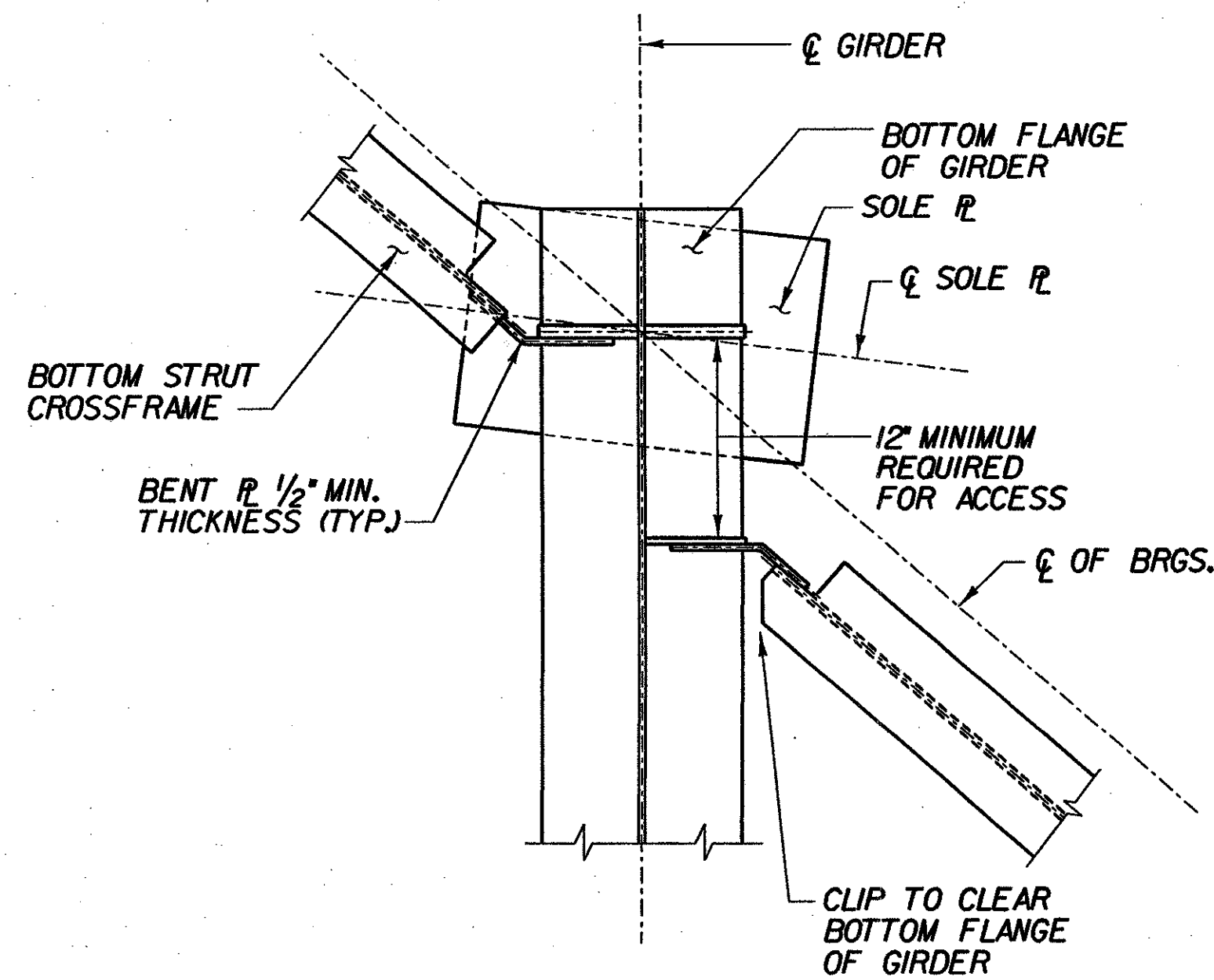
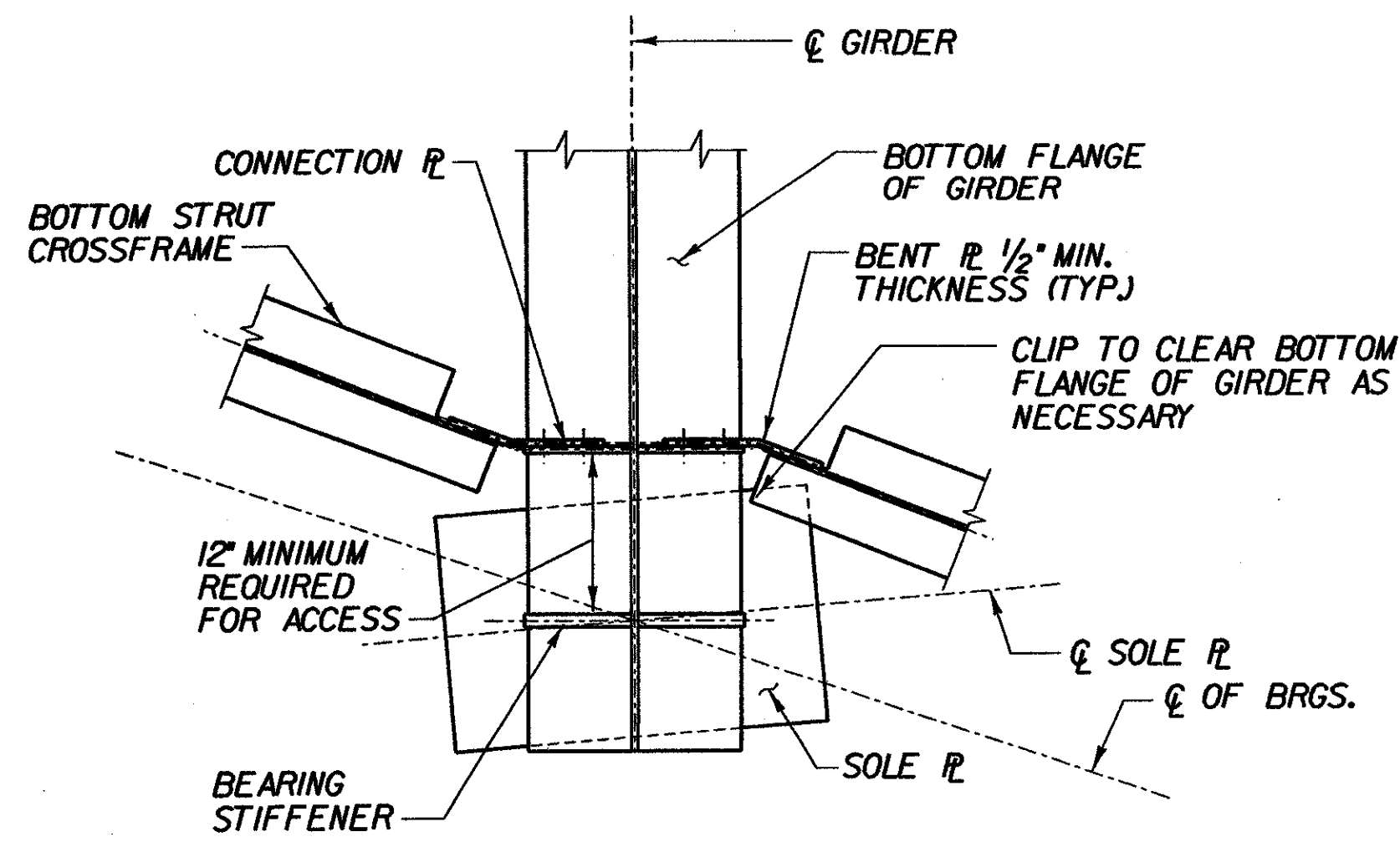


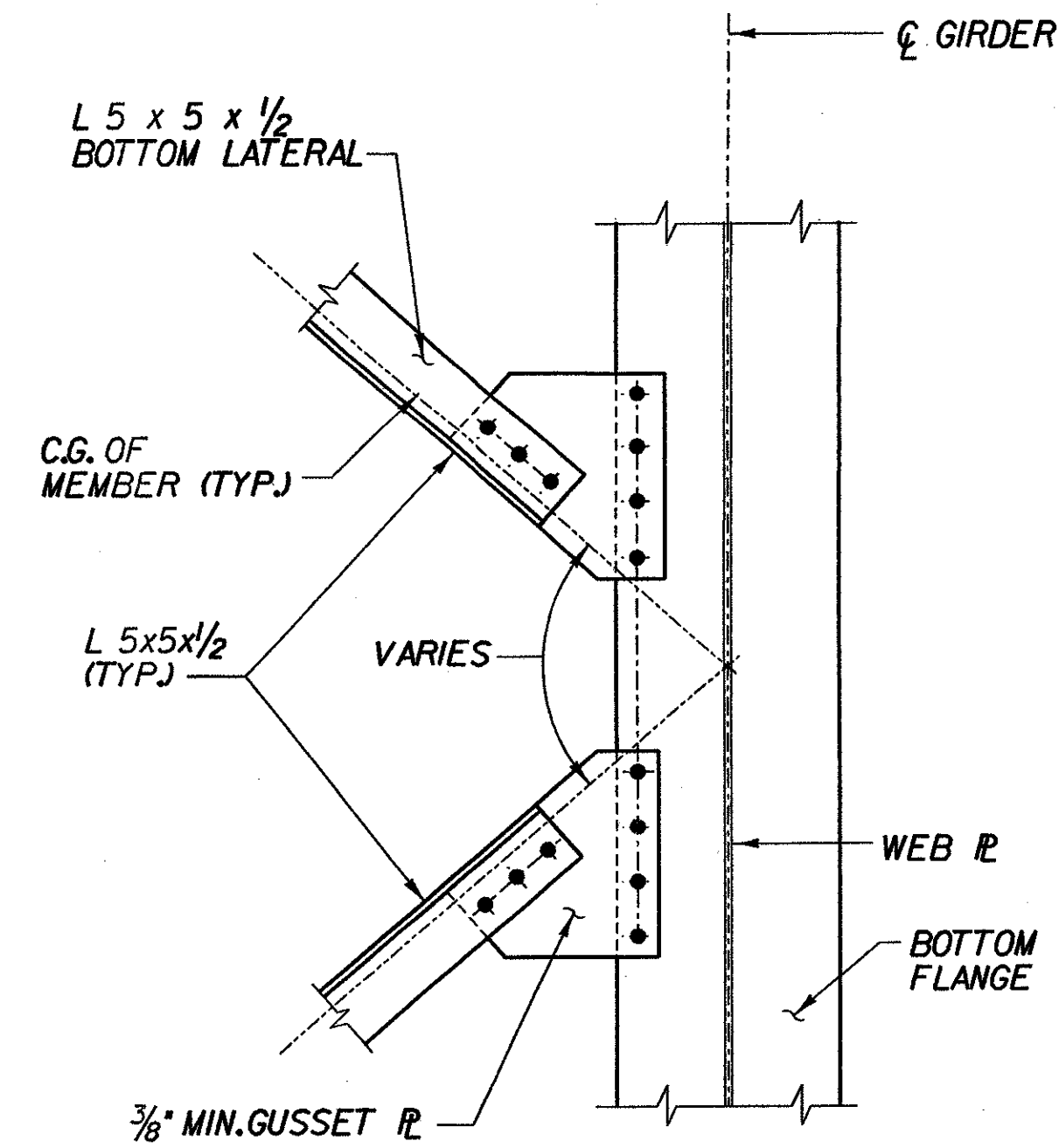
THE BEARING STIFFENER OR CONNECTION PLATE CONNECTIONS CAN USE SHIM PLATES IF NECESSARY.



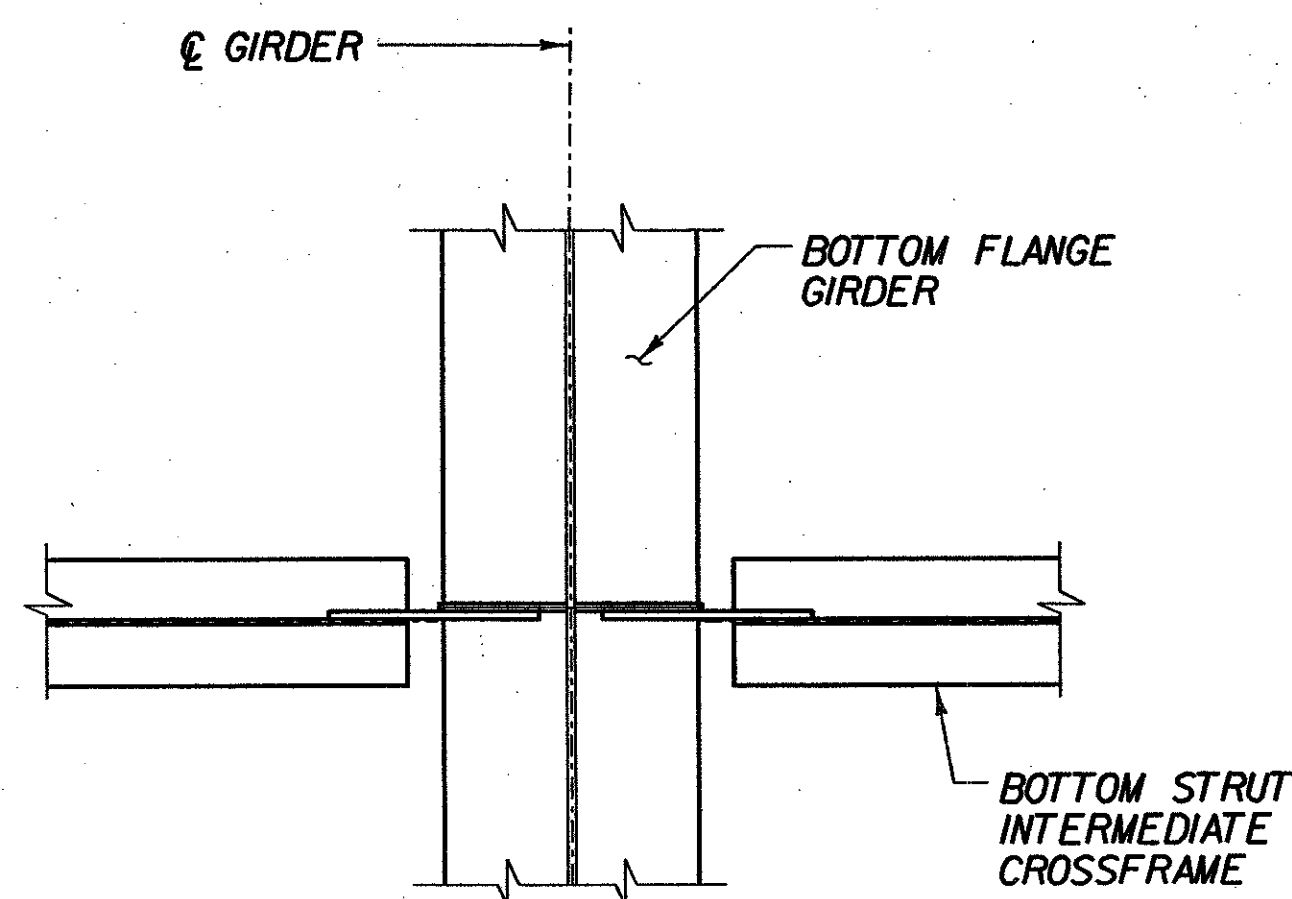
1 BOTTOM CONN. DETAIL (AT ABUT 1)
BR311
SCALE 1" = 1'-0"
1 9 6 3 0 1 2



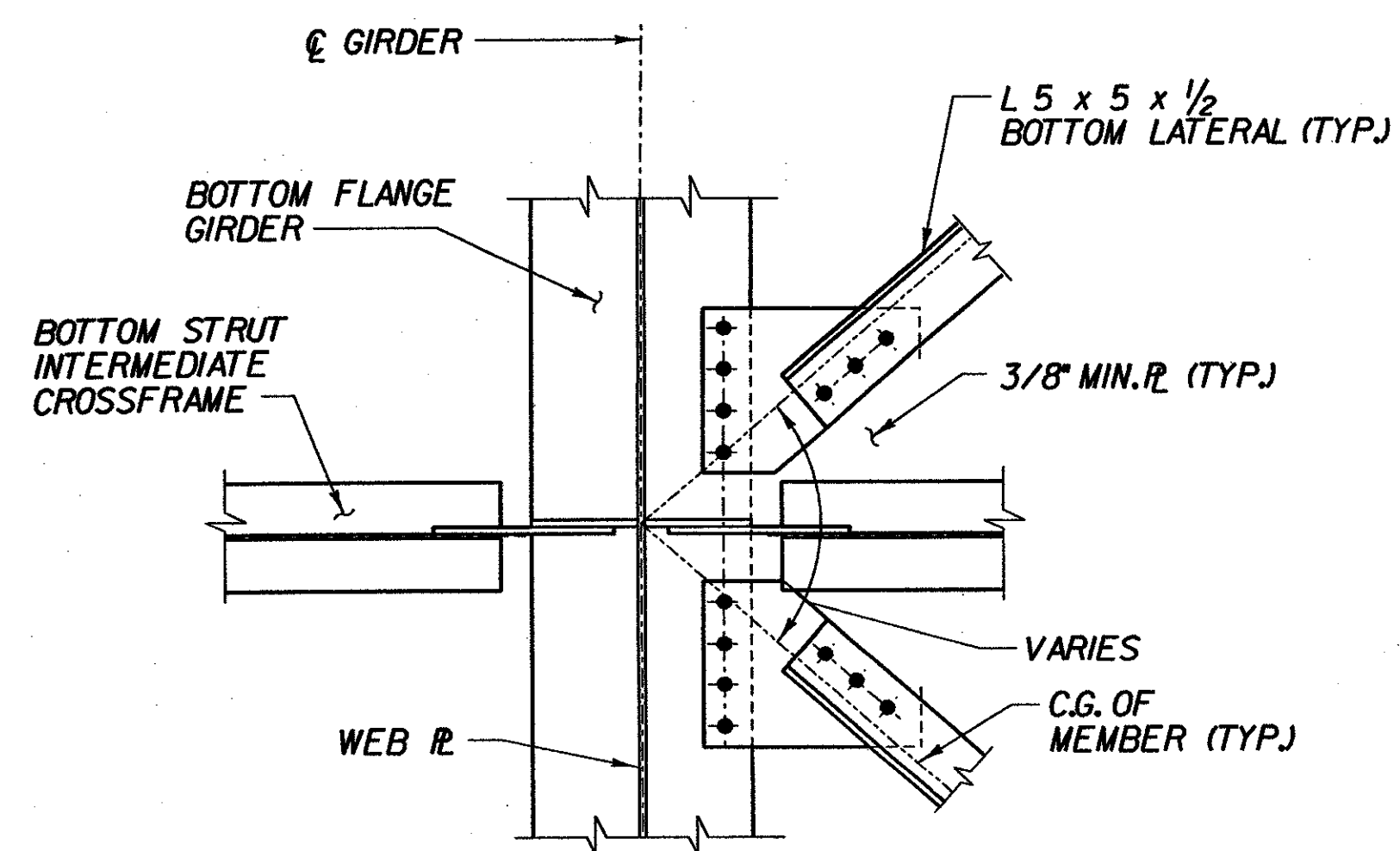
2 BOTTOM CONN. DETAIL (AT ABUT 2)
BR311
SCALE 1" = 1'-0"
1 9 6 3 0 1 2



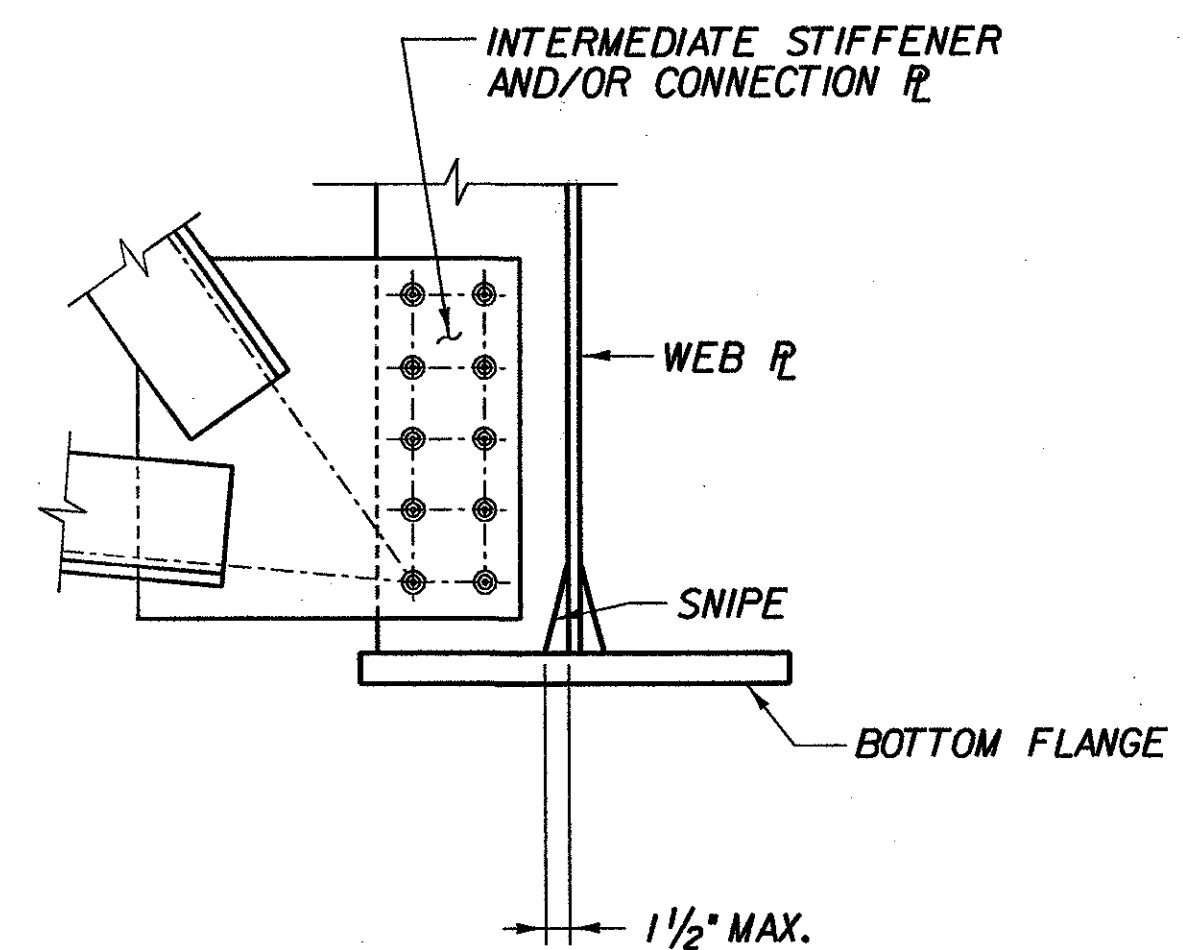
4 LATERAL BRACING CONN.
BR311
SCALE 1" = 1'-0"
1 9 6 3 0 1 2



5 CROSSFRAME BOTTOM CONN.
BR311
SCALE 1" = 1'-0"
1 9 6 3 0 1 2



6 LATERAL BOTTOM CONN.
BR311
SCALE 1" = 1'-0"
1 9 6 3 0 1 2



7 CROSSFRAME DETAIL
BR316
SCALE 1" = 1'-0"
1 9 6 3 0 1 2

FILE NAME: A:\0756\MAIN\15\BRDC25A\25a.dwg, user: dsl, date: 12/12/01

STATE OF VERMONT AGENCY OF TRANSPORTATION			
Town of	SEARSBURG	Bridge No. 25A	
Highway No.	VT. RTE. 9	Log Sta.	
		Surv. Sta.	
VT. RTE. 9 OVER DEERFIELD RIVER			
CROSSFRAME DETAILS - 2 - BR 25A			
Designed By	D. VIENI	Drawn by	J. LAGONE
Checked By	M. OLSTAD	Date	12/20/01
		Bridge Design Supervisor	M. OLSTAD
		Date	12/20/01
PROJECT	SEARSBURG - WILMINGTON	PROJECT NO.	NHF 010-K18)
I.G.C. Info.			Bridge Sheet No. BR317

CHA CLOUGH HARBOUR & ASSOCIATES LLP
ENGINEERS SURVEYORS PLANNERS & LANDSCAPE ARCHITECTS
110 BROADWAY ALBANY, NEW YORK, 12205