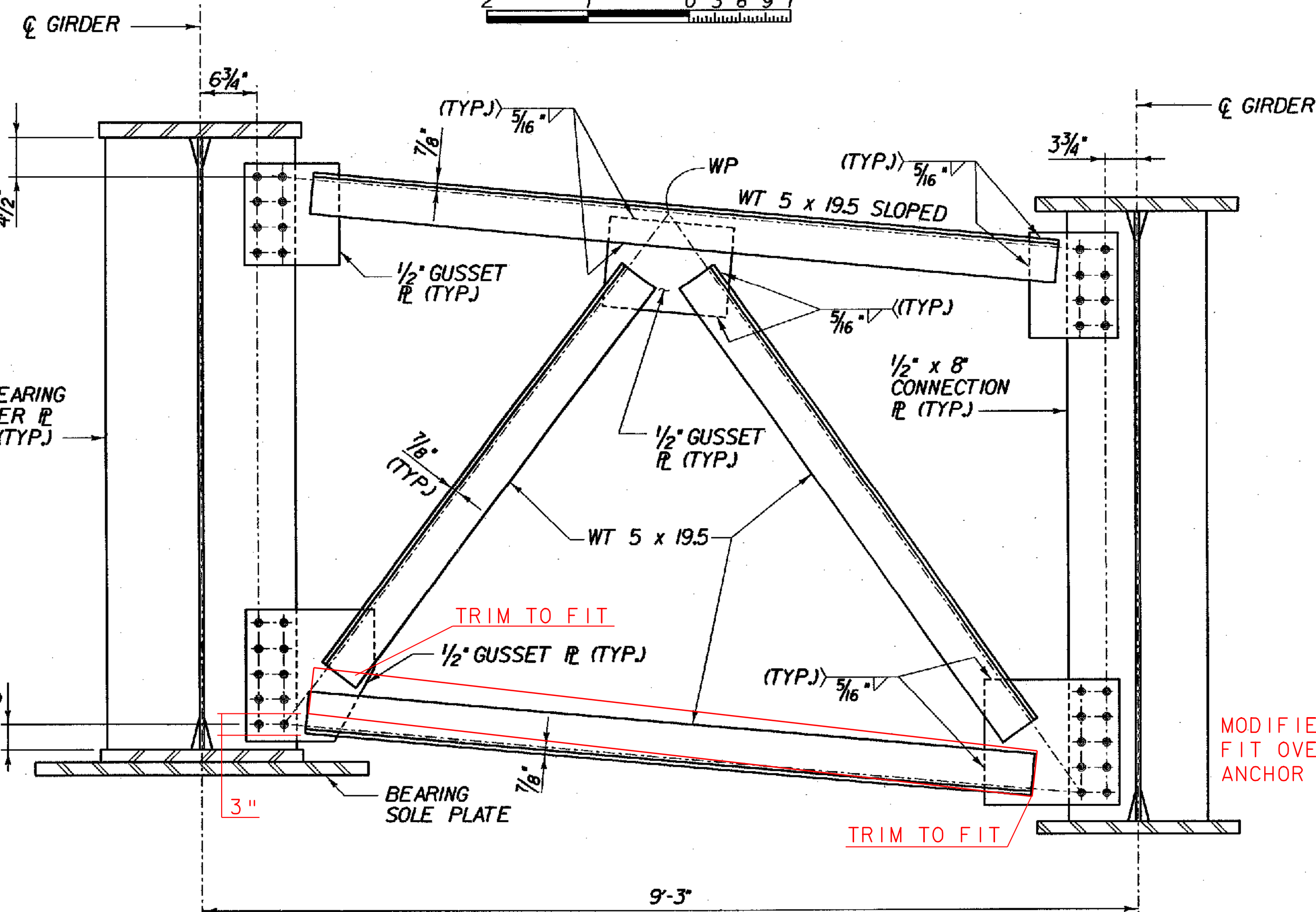


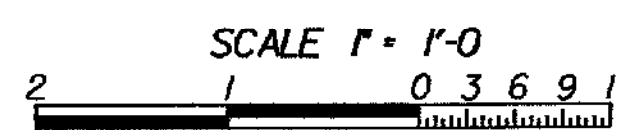
INTERMEDIATE CROSSFRAME (C2) - BR25A



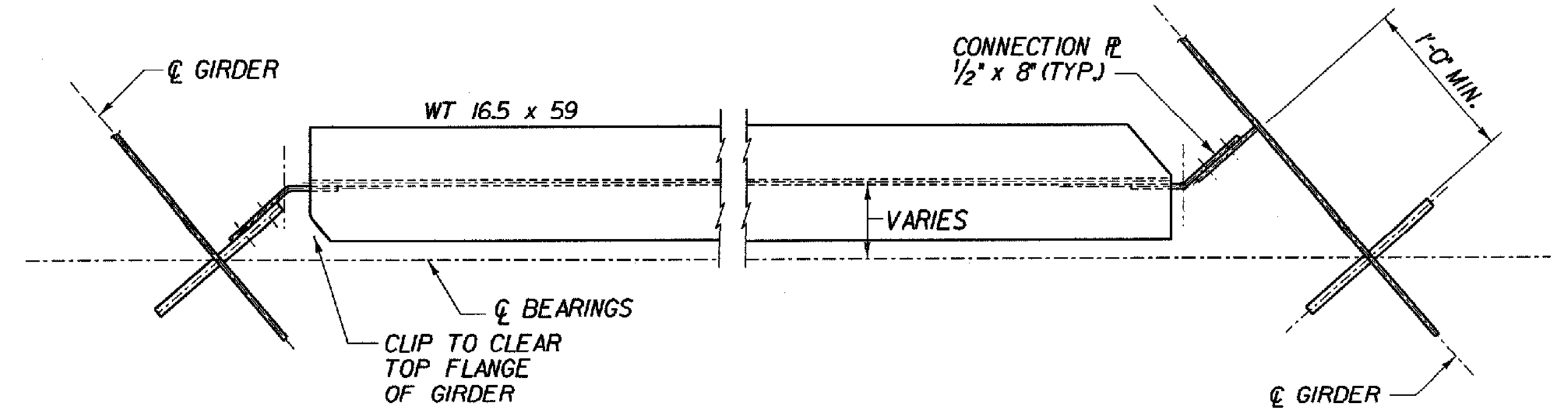
7
BR317



INTERMEDIATE CROSSFRAME AT PIER (C3) - BR25A

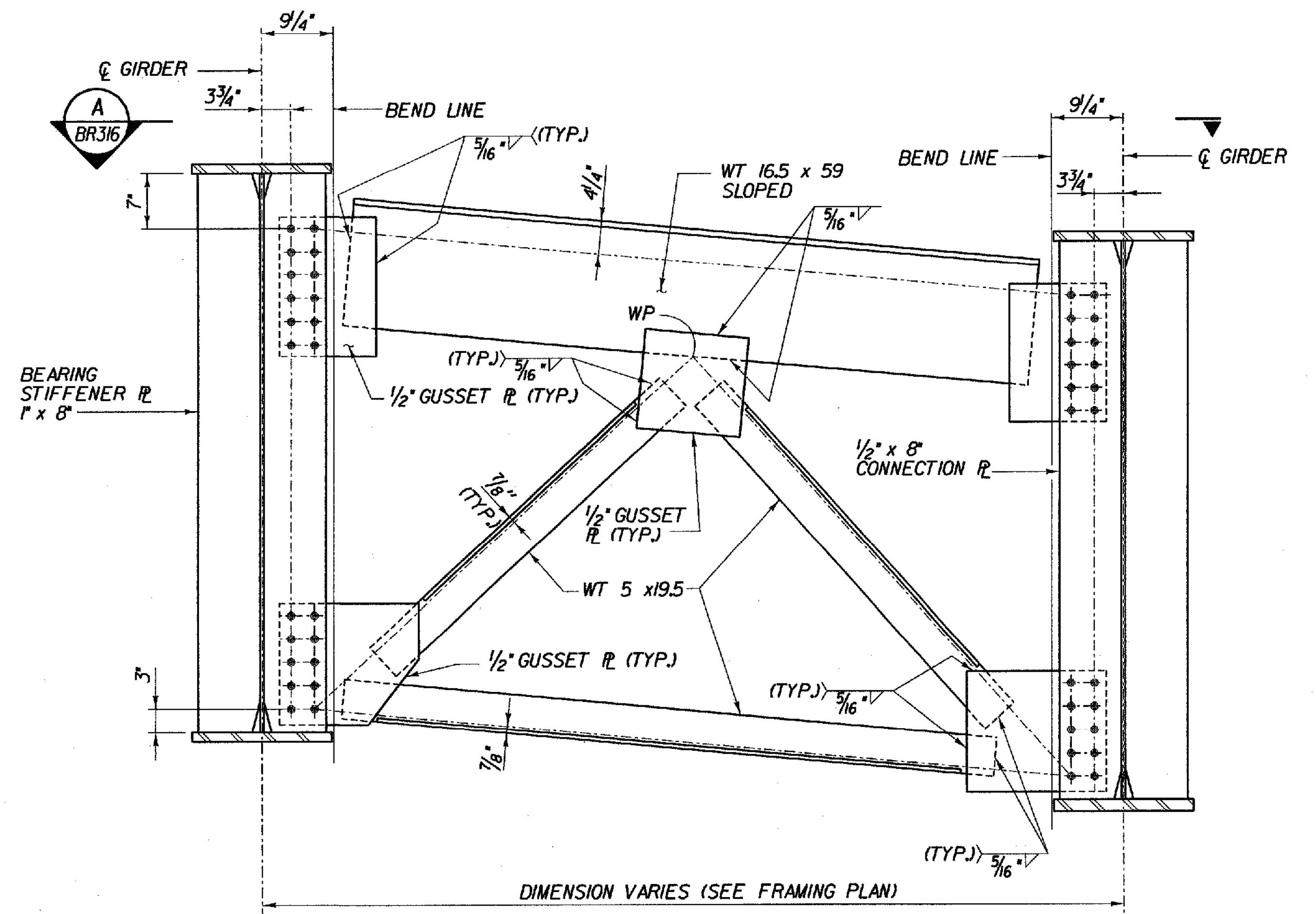
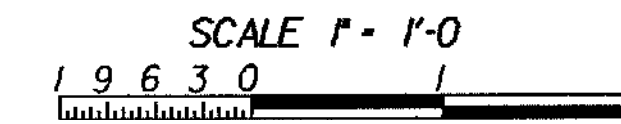


MODIFIED BY SHOP TO FIT OVER BEARING PAD ANCHOR BOLTS.



A ABUTMENT CROSSFRAME (CI) SECTION

BR316



ABUTMENT CROSSFRAME (CI) - BR25A



NOTES:

1. ALL CONNECTIONS SHALL BE MADE USING A325 7/8" DIA. BOLTS. ALL HOLES IN THE CONNECTION PLATES SHALL BE 15/16" DIAMETER.
2. THE LENGTHS OF WELDS ON EACH SIDE OF THE WT SHALL BE PROPORTIONED TO MINIMIZE ECCENTRICITIES IN THE CONNECTION.
3. ALL CROSSFRAMES AND CONNECTION PLATES REQUIRE CVN TESTING.
4. SEE BR314 FOR WELD LOCATION DETAIL.

STATE OF VERMONT
AGENCY OF TRANSPORTATION

Town Of	SEARSBURG	Bridge No.	25A
Highway No.	VT. RTE. 9	Log Sta.	
		Surv. Sta.	
VT. RTE. 9 OVER DEERFIELD RIVER			
CROSSFRAME DETAILS - I - BR 25A			
Designed By	D. VIENI	Drawn by	J. LAGONE
Checked By	M. OLSTAD	Date	2/2002
		Bridge Design Supervisor	M. OLSTAD
		Date	2/2002
PROJECT	SEARSBURG - WILMINGTON	PROJECT NO.	NHF 010-1118
I.G.C. Info.			
Bridge Sheet No.	BR316	Sheet	181 of 435

CHA CLOUGH, HARBOUR & ASSOCIATES LLP
ENGINEERS, SURVEYORS, PLANNERS & LANDSCAPE ARCHITECTS
MEMBERS: CIRCLE ALBANY, NEW YORK, 12203