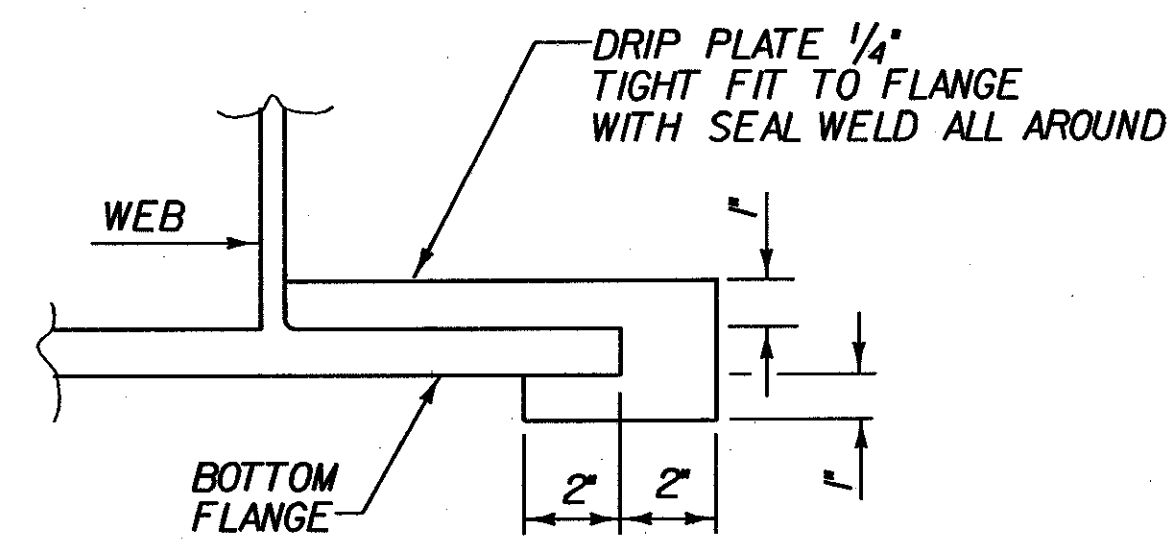


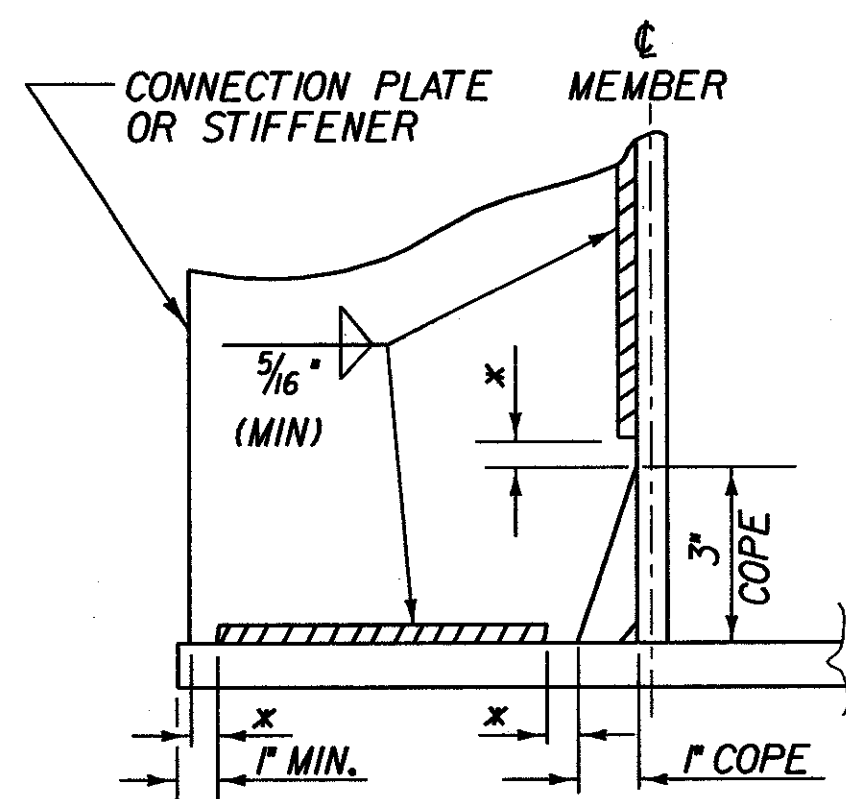
7 PLAN DRIP PLATE

BR311

NOTE: DRIP PLATES SHALL BE PLACED ON OUTSIDE EDGE OF FASCIA GIRDERS ON THE HIGH SIDE OF ALL PIERS, SPLICE AND ABUTMENTS OR AS INDICATED ON PROJECT PLANS.

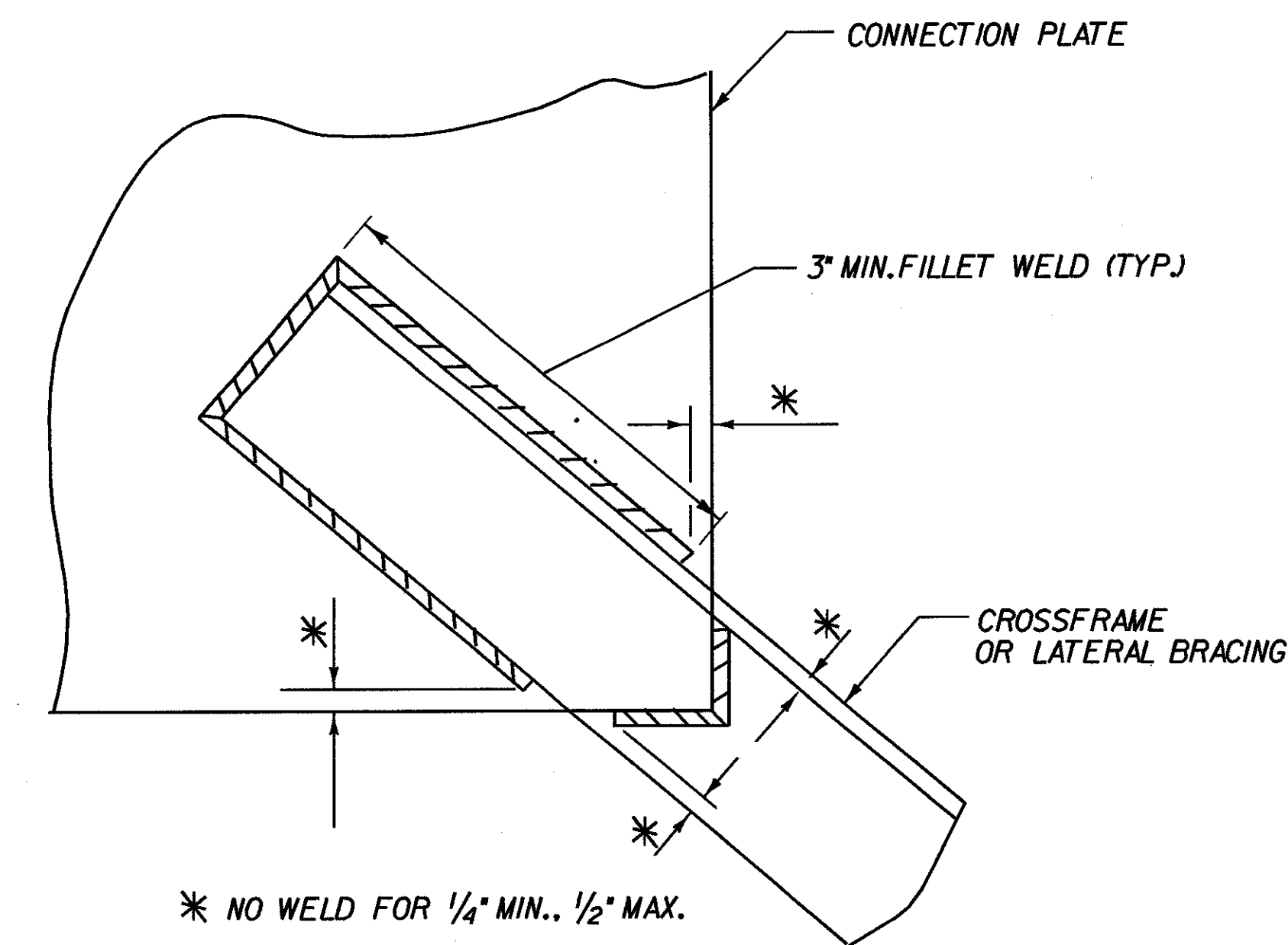


SECTION A-A



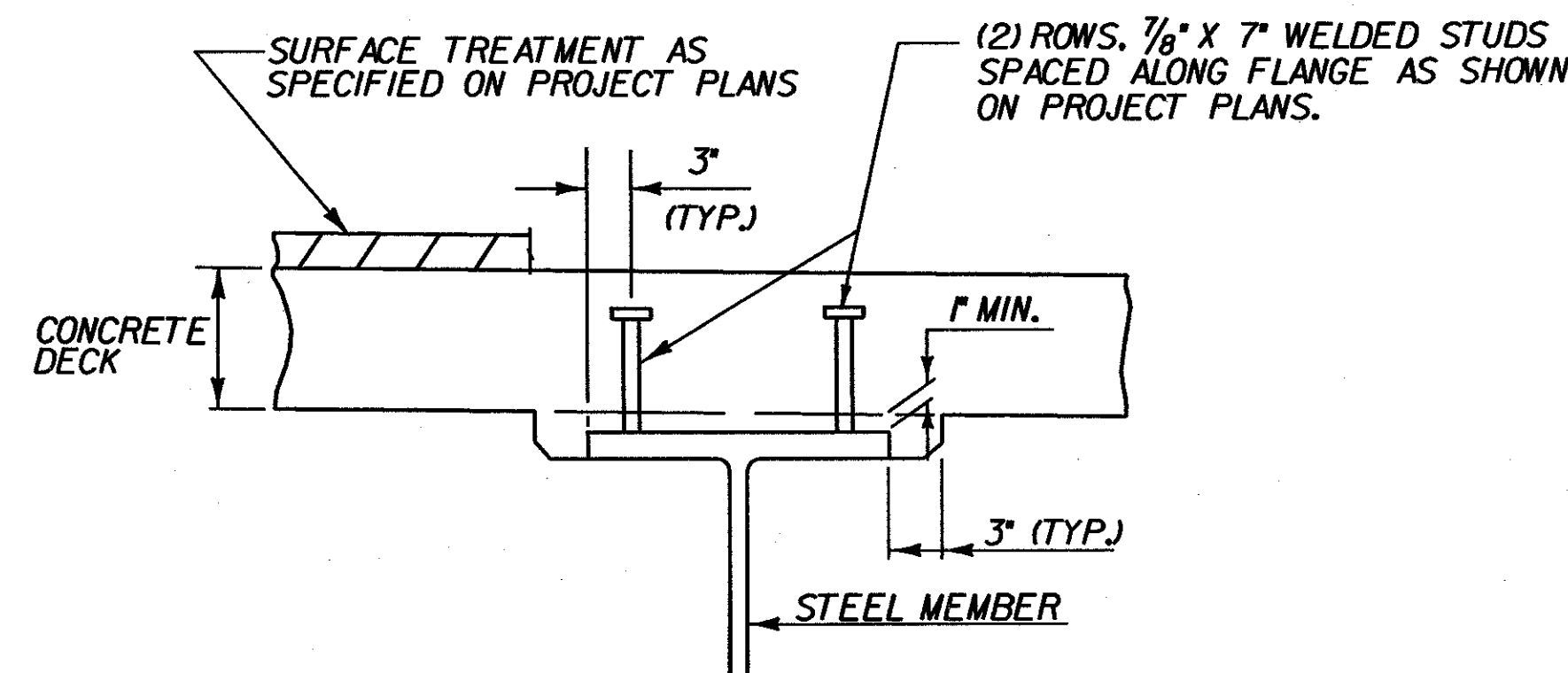
* NO WELD FOR 1/4" MIN.. 1/2" MAX. (EXCEPT MUST MAINTAIN 1" MINIMUM FROM EDGE OF FLANGE)

WELD TERMINATION AND COPING DETAILS FOR STEEL MEMBERS
(NOT TO SCALE)

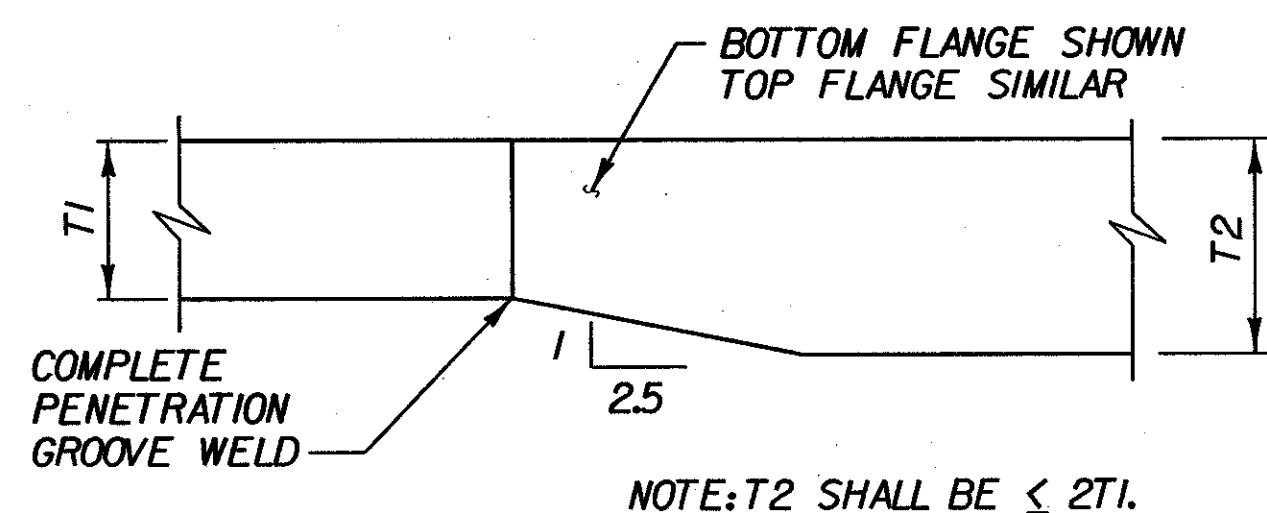


* NO WELD FOR 1/4" MIN.. 1/2" MAX.

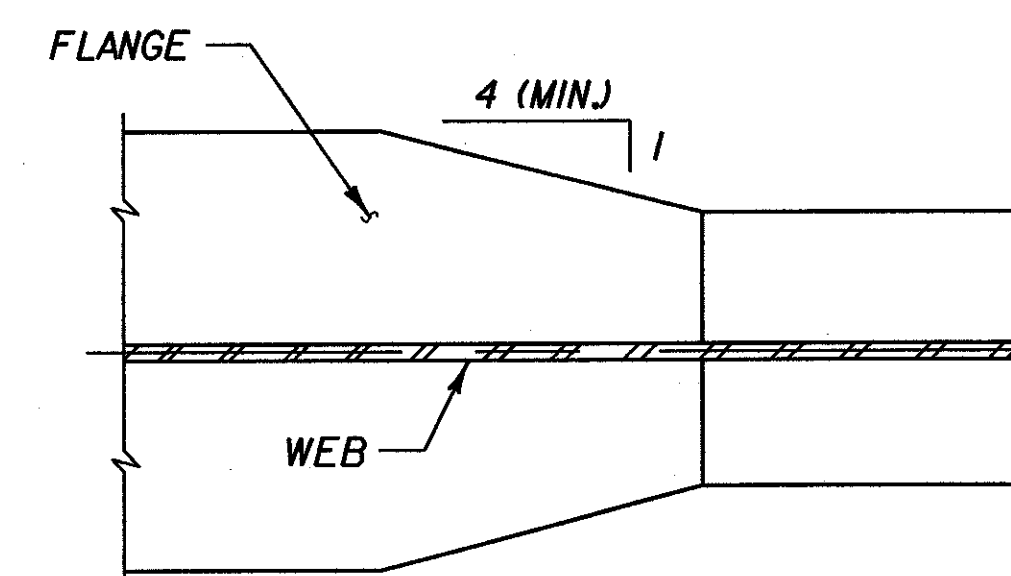
WELD LOCATION DETAIL AT CROSSFRAMES AND LATERAL BRACING
(NOT TO SCALE)



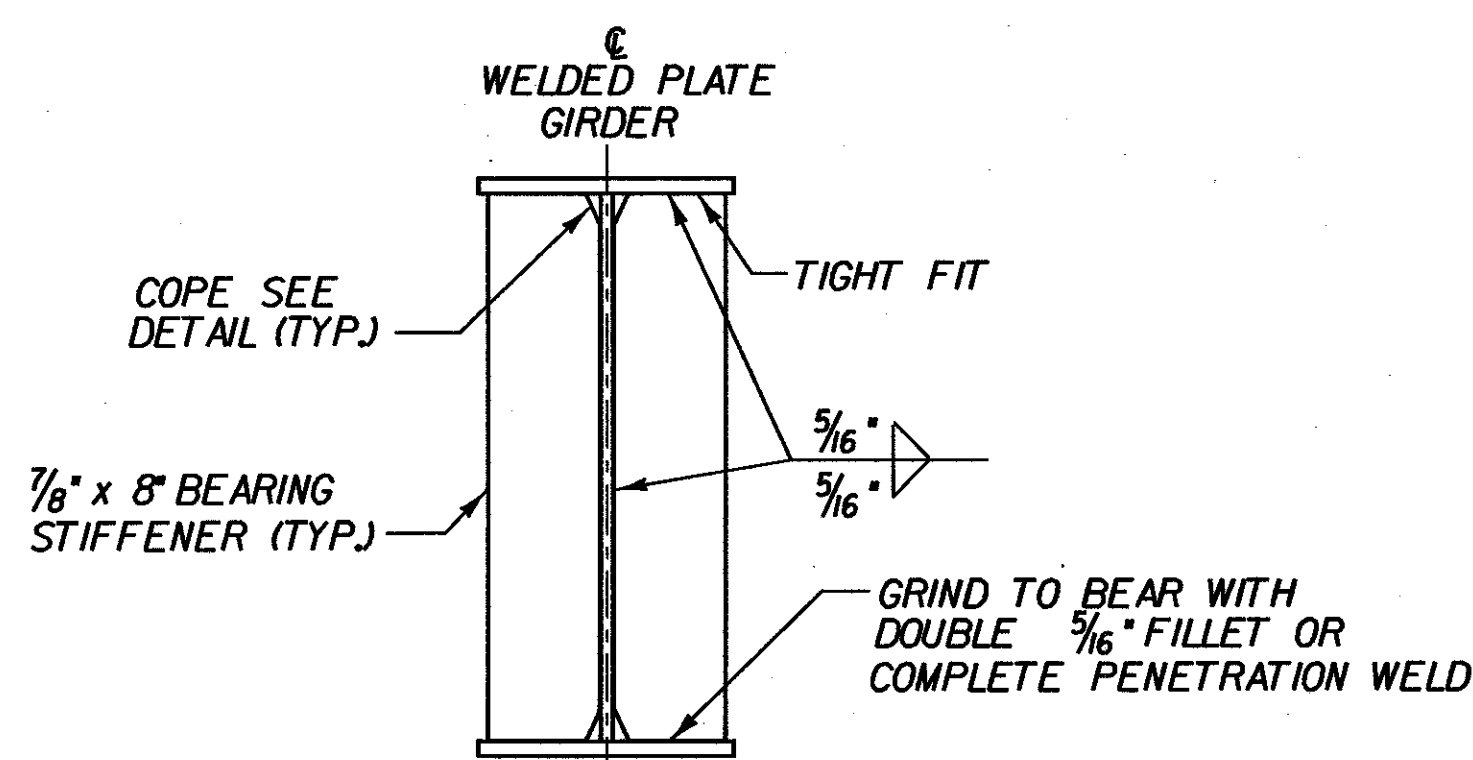
HAUNCH AND SHEAR CONNECTOR DETAILS
(NOT TO SCALE)



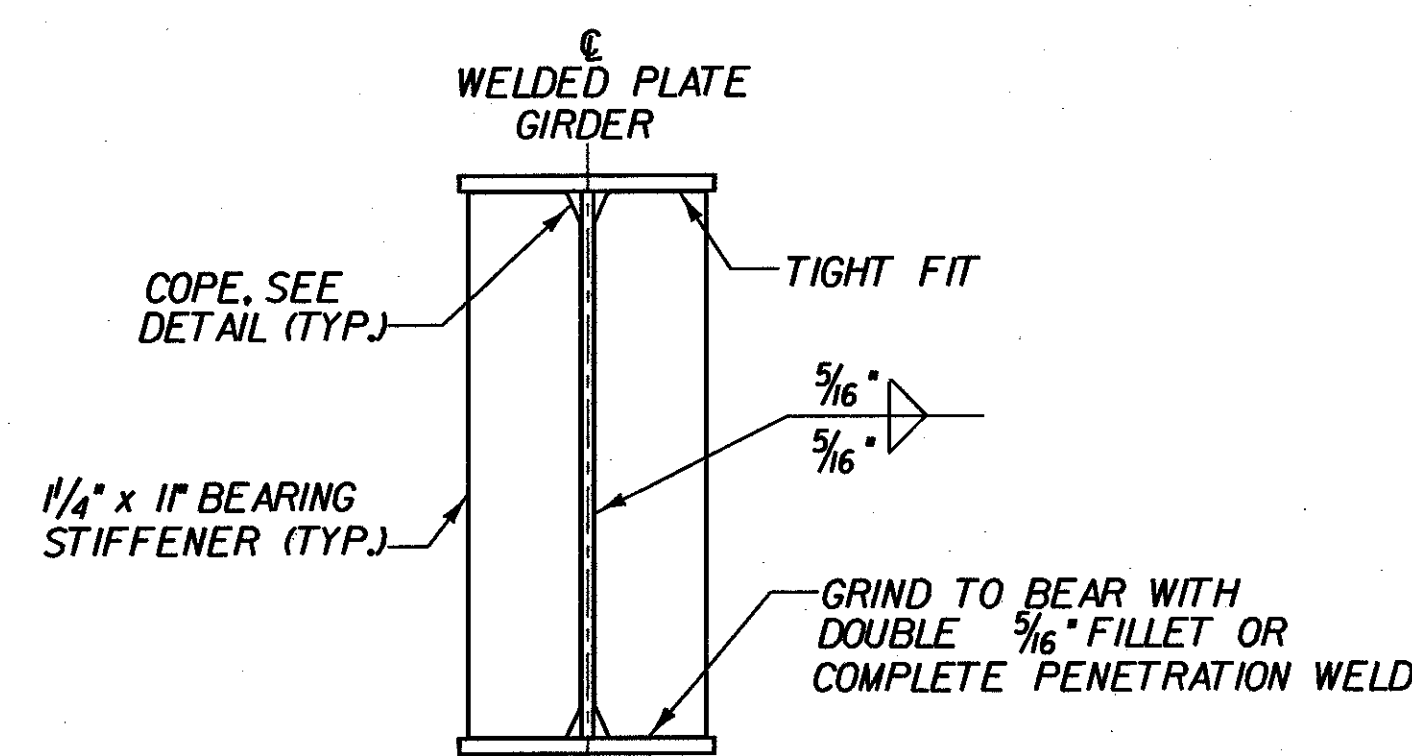
1 FLANGE THICKNESS TAPER
(NOT TO SCALE)



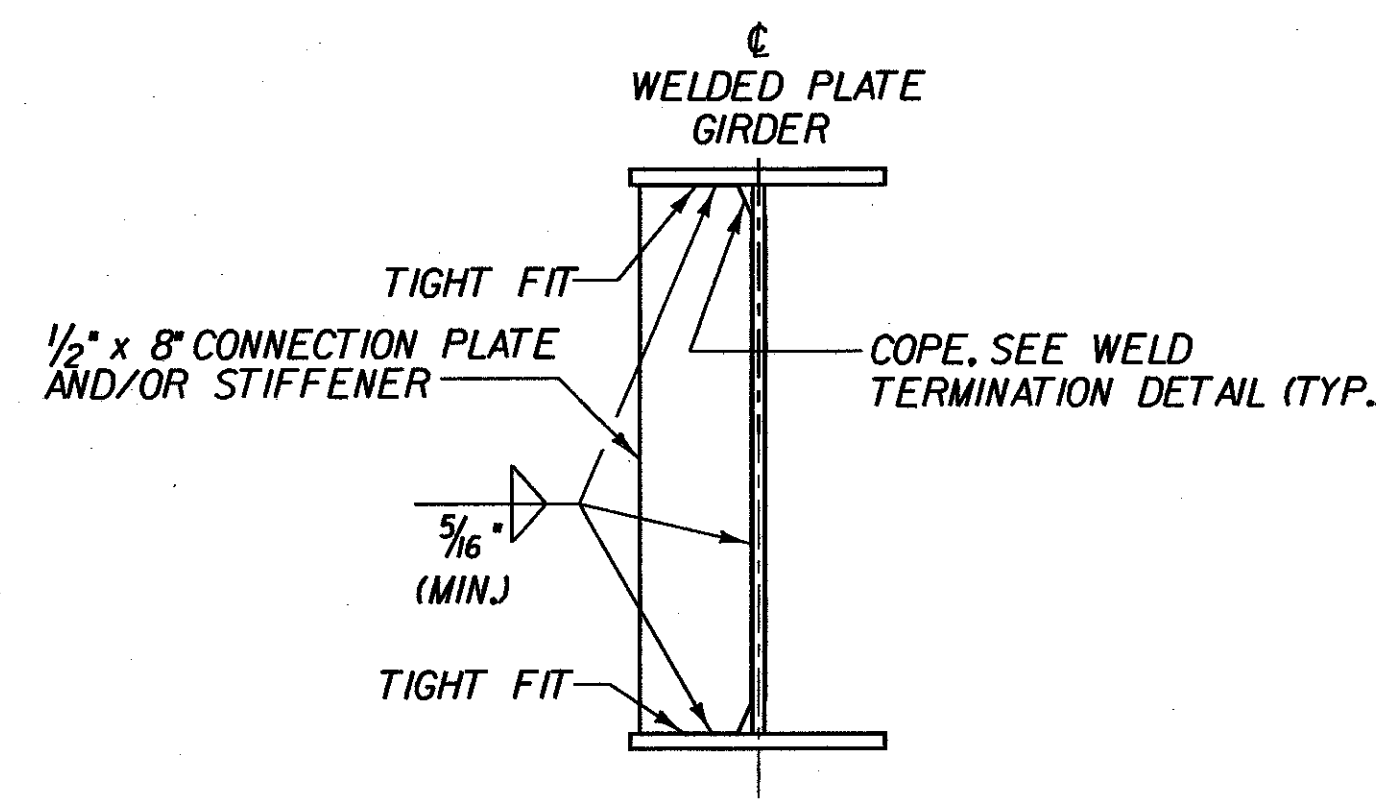
2 FLANGE WIDTH TAPER
(NOT TO SCALE)



ABUTMENT BEARING STIFFENERS FOR WELDED PLATE GIRDERS
(NOT TO SCALE)



PIER BEARING STIFFENERS FOR WELDED PLATE GIRDERS
(NOT TO SCALE)



INTERMEDIATE CONNECTION PLATES AND/OR STIFFENERS FOR WELDED PLATE GIRDERS
(NOT TO SCALE)

FILE NAME: A:\STRA\MTIN\US\BR026A\25a.dwg
DATE/TIME: 02/28/02
USER: 2225

STATE OF VERMONT AGENCY OF TRANSPORTATION

Town of	SEARSBURG	Bridge No.	25A
Highway No.	VT, RTE. 9	Log Sta.	
		Surv. Sta.	
VT, RTE. 9 OVER DEERFIELD RIVER			
GIRDER DETAILS - BR 25A			
Designed By	D. VIENI	Drawn by	K. DETRICK
Checked By	M. OLSTAD	Bridge Design Supervisor	M. OLSTAD
Date	2/2002	Date	2/2002
PROJECT	SEARSBURG - WILMINGTON	PROJECT NO.	NHF 010-K18
I.G.C. Info.		Bridge Sheet No. BR314	

CHA CLOUGH, HARBOUR & ASSOCIATES LLP
ENGINEERS, SURVEYORS, PLANNERS & LANDSCAPE ARCHITECTS
110 BOND STREET ALBANY, NEW YORK, 12205