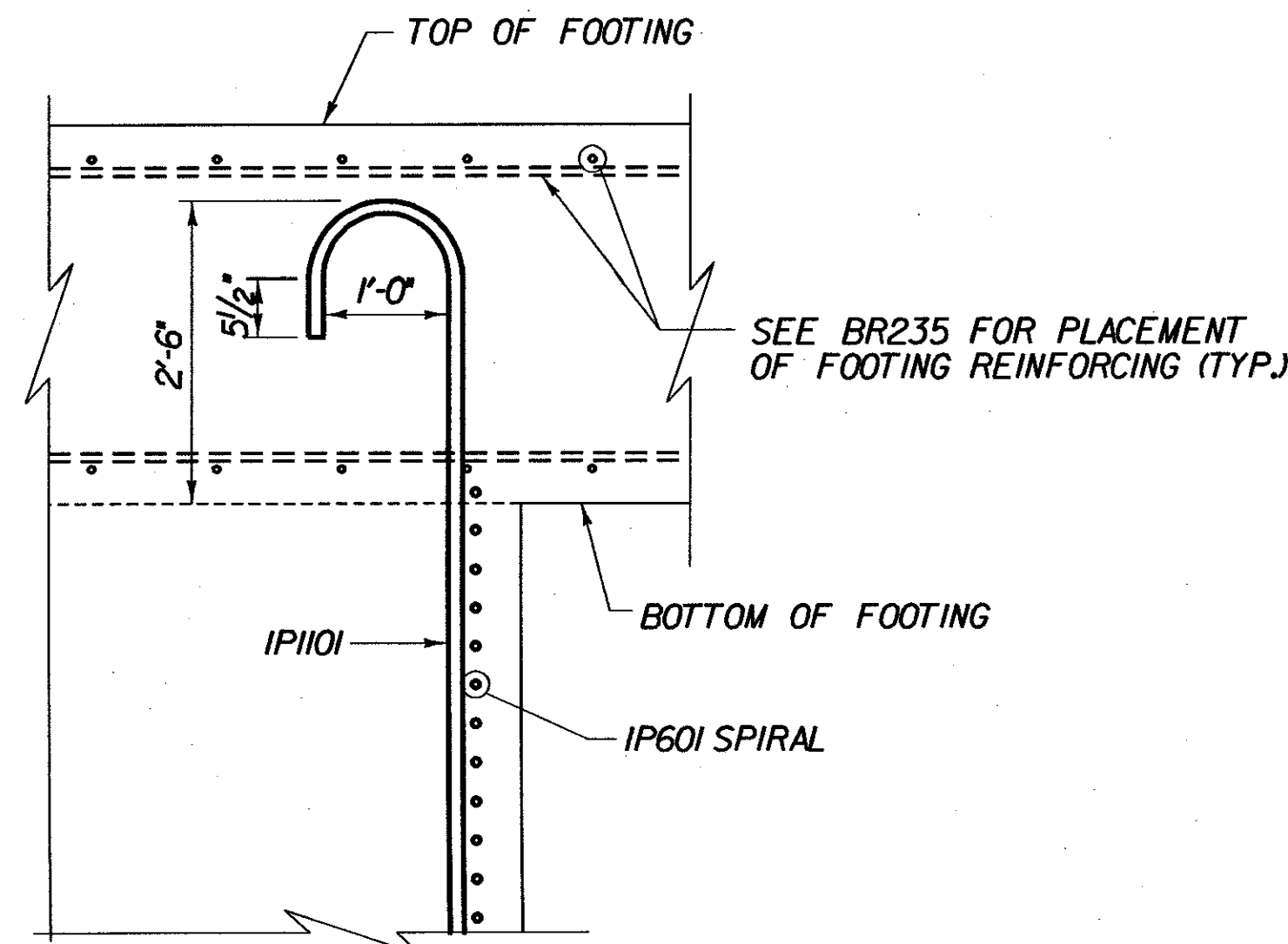
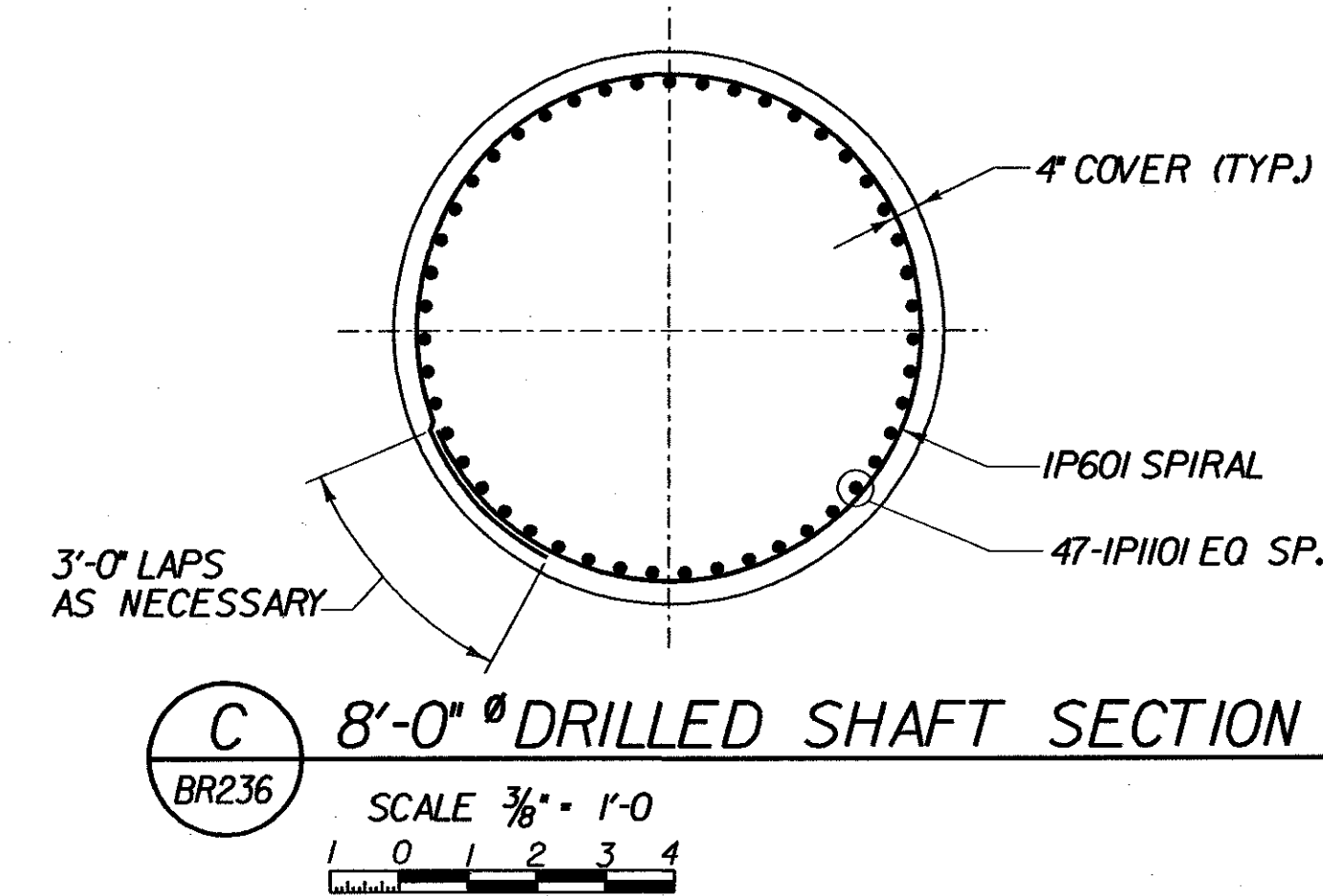


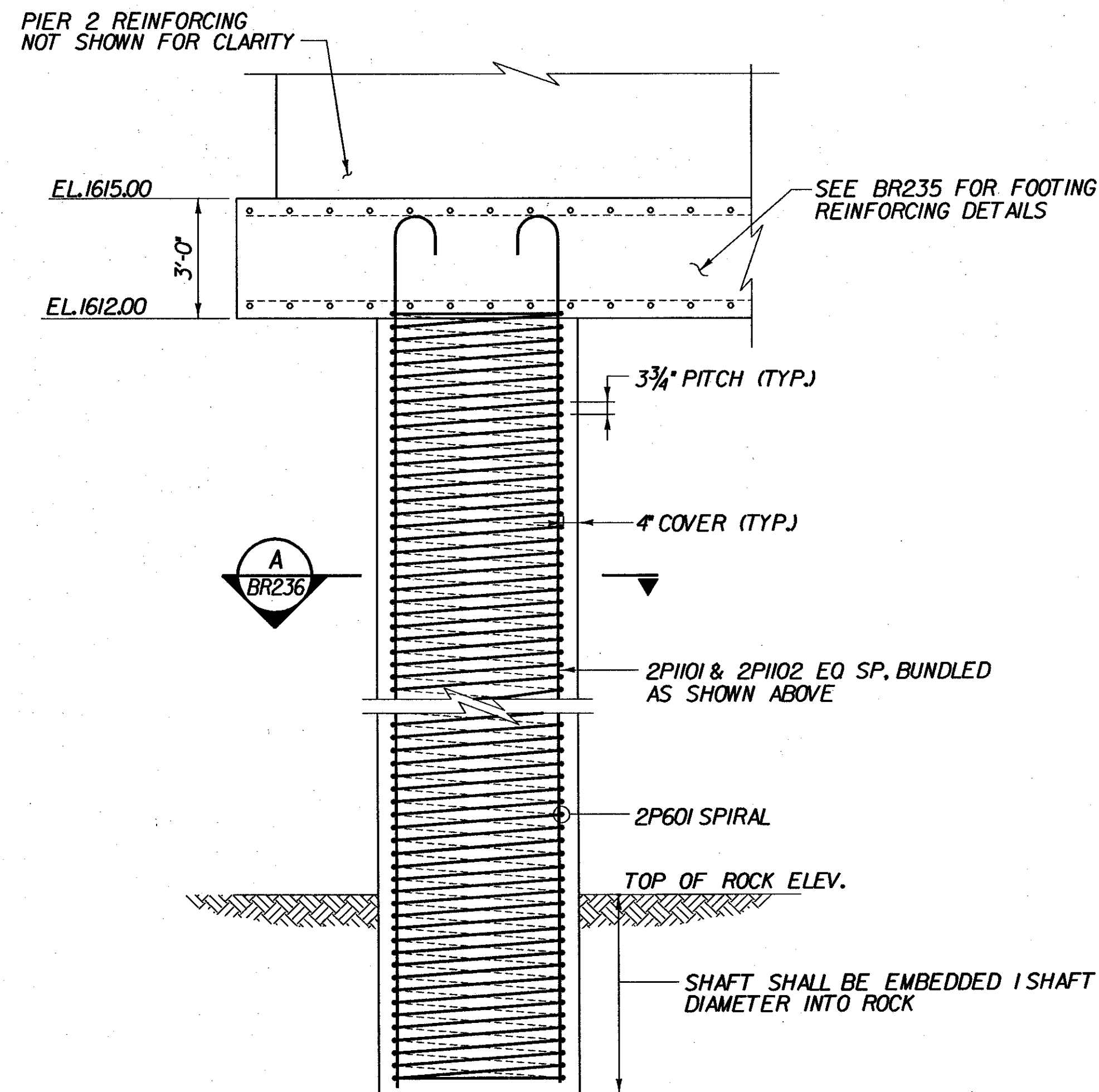
A 5'-0" Ø DRILLED SHAFT SECTION
BR236 SCALE 3/4" = 1'-0"
0 1 2



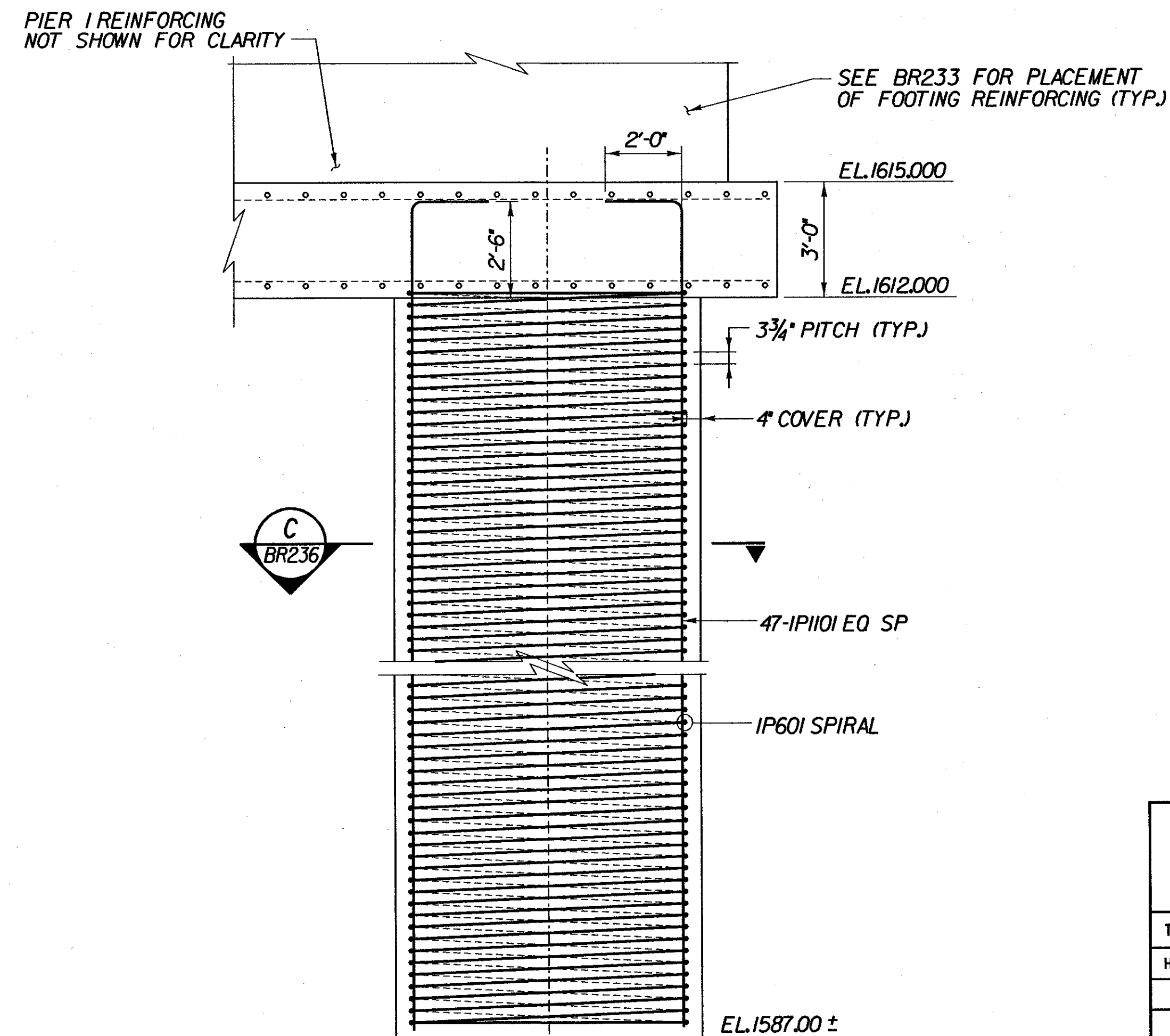
B 5'-0" Ø DRILLED SHAFT SECTION
BR236 SCALE 3/4" = 1'-0"
0 1 2



C 8'-0" Ø DRILLED SHAFT SECTION
BR236 SCALE 3/8" = 1'-0"
0 1 2 3 4



A TYPICAL 5'-0" Ø DRILLED SHAFT - PIER 2
BR236 SCALE 3/8" = 1'-0"
0 1 2 3 4



C TYPICAL 8'-0" Ø DRILLED SHAFT - PIER 1
BR236 SCALE 3/8" = 1'-0"
0 1 2 3 4

NOTES:
1. FOR DRILLED SHAFT NOTES SEE BRIDGE SHEET BR3.

KEY:
NF - NEAR FACE
FF - FAR FACE
EF - EACH FACE
▲ - CUT TO FIT IN FIELD
3' CLR. FOR FOOTINGS.
4' CLR. FOR PIER STEM & DRILLED SHAFTS UNLESS OTHERWISE SPECIFIED ON THE PLANS.

**STATE OF VERMONT
AGENCY OF TRANSPORTATION**

Town of	SEARSBURG	Bridge No.	25
Highway No.	VT. RTE. 9	Log Sta.	
		Surv. Sta.	
VT. RTE. 9 OVER DEERFIELD RIVER			
DRILLED SHAFT - BR 25			
Designed By	D. VIENI	Drawn by	K. DETRICK/WmWEATHERBY
Checked By	M. OLSTAD	Date	2/2002
		Bridge Design Supervisor	M. OLSTAD
		Date	2/2002
PROJECT	SEARSBURG - WILMINGTON	PROJECT NO.	NHF 010-1181
I.G.C. Info.			
Bridge Sheet No. BR236			

CHA CLOUGH, HARBOUR & ASSOCIATES LLP
ENGINEERS, SURVEYORS, PLANNERS & LANDSCAPE ARCHITECTS
WINNERS CIRCLE ALBANY, NEW YORK, 12205