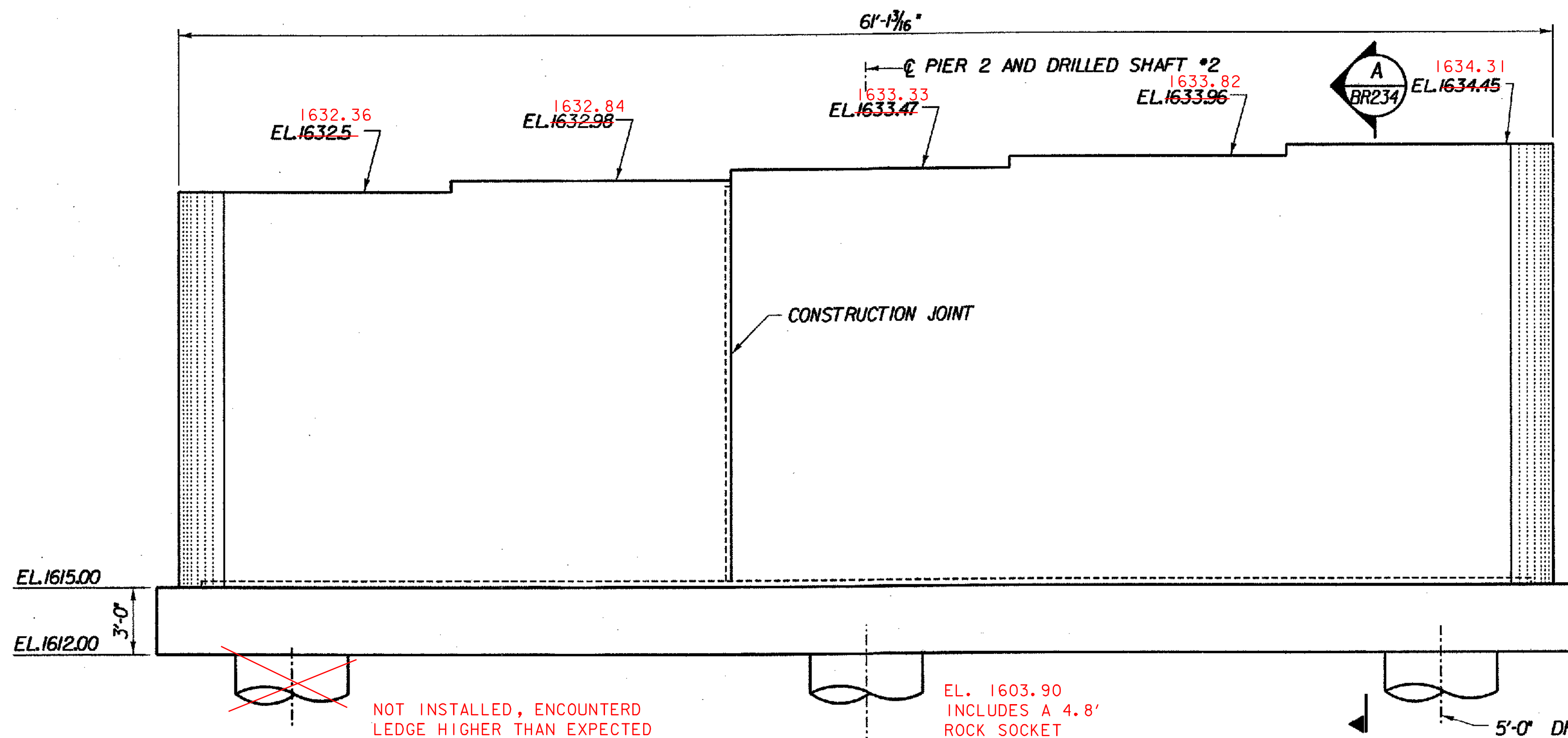


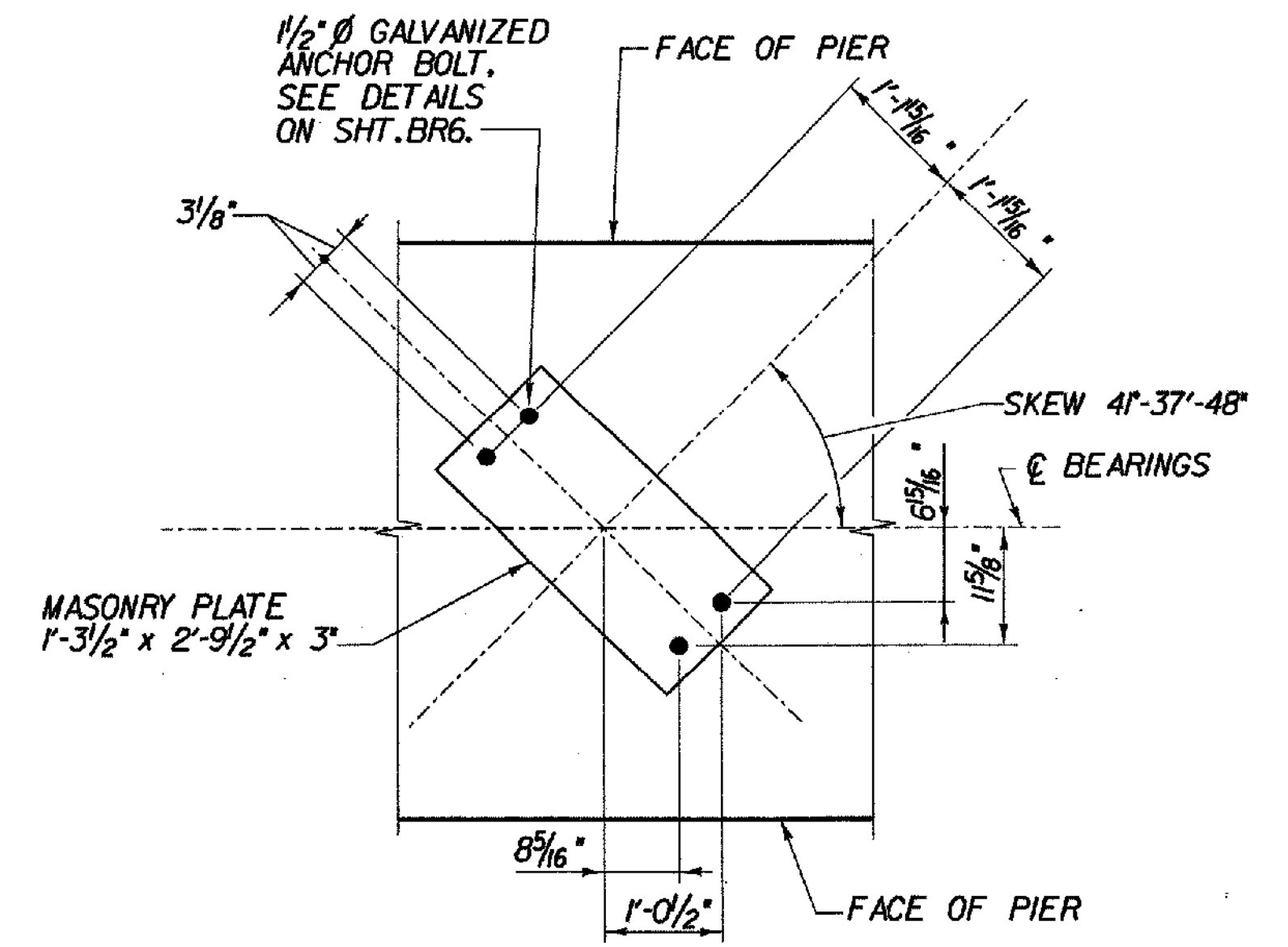
PIER 2 PLAN - BR 25

SCALE 1/4" = 1'-0"
1 0 2 4 6



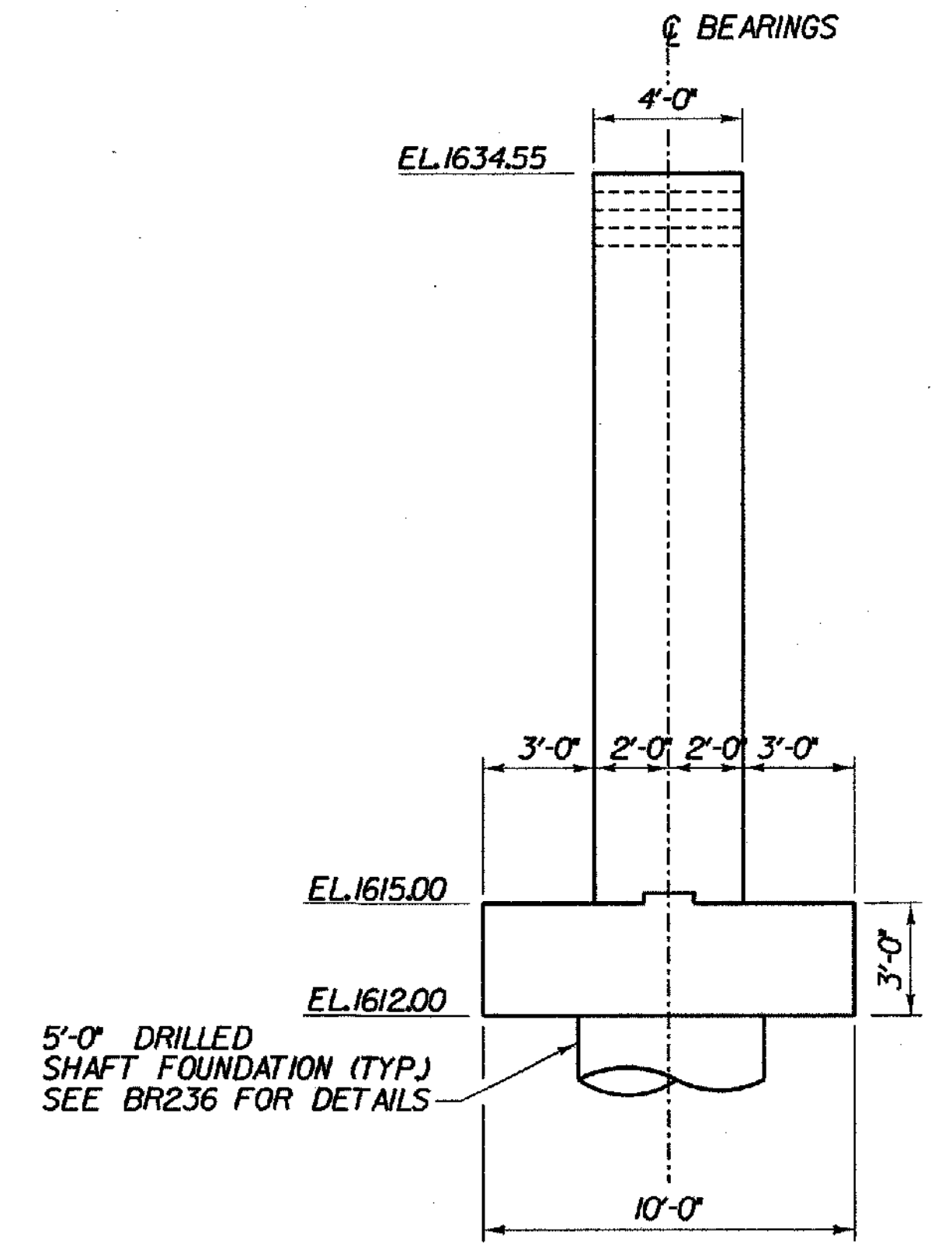
PIER 2 ELEVATION - BR 25

SCALE 1/4" = 1'-0"
1 0 2 4 6



PIER 2 ANCHOR BOLT LAYOUT PLAN

SCALE 3/4" = 1'-0"
0 1 2



PIER 2 SECTION

SCALE 1/4" = 1'-0"
1 0 2 4 6

- NOTES:**
- ANCHOR BOLTS SHALL CLEAR ALL REINFORCING STEEL IN THE PIER CAP.
 - FOR BEARING DETAIL SEE BRIDGE SHEET BR6 AND BR7.
 - FOR CONSTRUCTION JOINT DETAIL SEE BRIDGE SHEET BR15.

STATE OF VERMONT AGENCY OF TRANSPORTATION			
Town of SEARSBURG	Bridge No. 25	Log Sta.	
Highway No. VT. RTE. 9	Sur. Sta.	VT. RTE. 9 OVER DEERFIELD RIVER	
PIER 2 PLAN & ELEVATION - BR 25			
Designed By D. VIEN	Drawn by K. DETRICK	PROJECT NO. NHF 010-1181	
Checked By M. OLSTAD	Date 12/2001	Bridge Design Supervisor M. OLSTAD	Date 12/2001
PROJECT SEARSBURG - WILMINGTON		PROJECT NO. NHF 010-1181	
I.G.C. Info.			
Bridge Sheet No. BR234		Sheet 160 of 425	

CHA CLOUGH, HARBOUR & ASSOCIATES LLP
ENGINEERS, SURVEYORS, PLANNERS & LANDSCAPE ARCHITECTS
110 BOND STREET ALBANY, NEW YORK, 12208

FILE NAME: H:\9755\MAIN\15\BRIDGE\25\BR25.dwg
DATE/TIME: 12/12/2001 11:58:44
USER: KDET