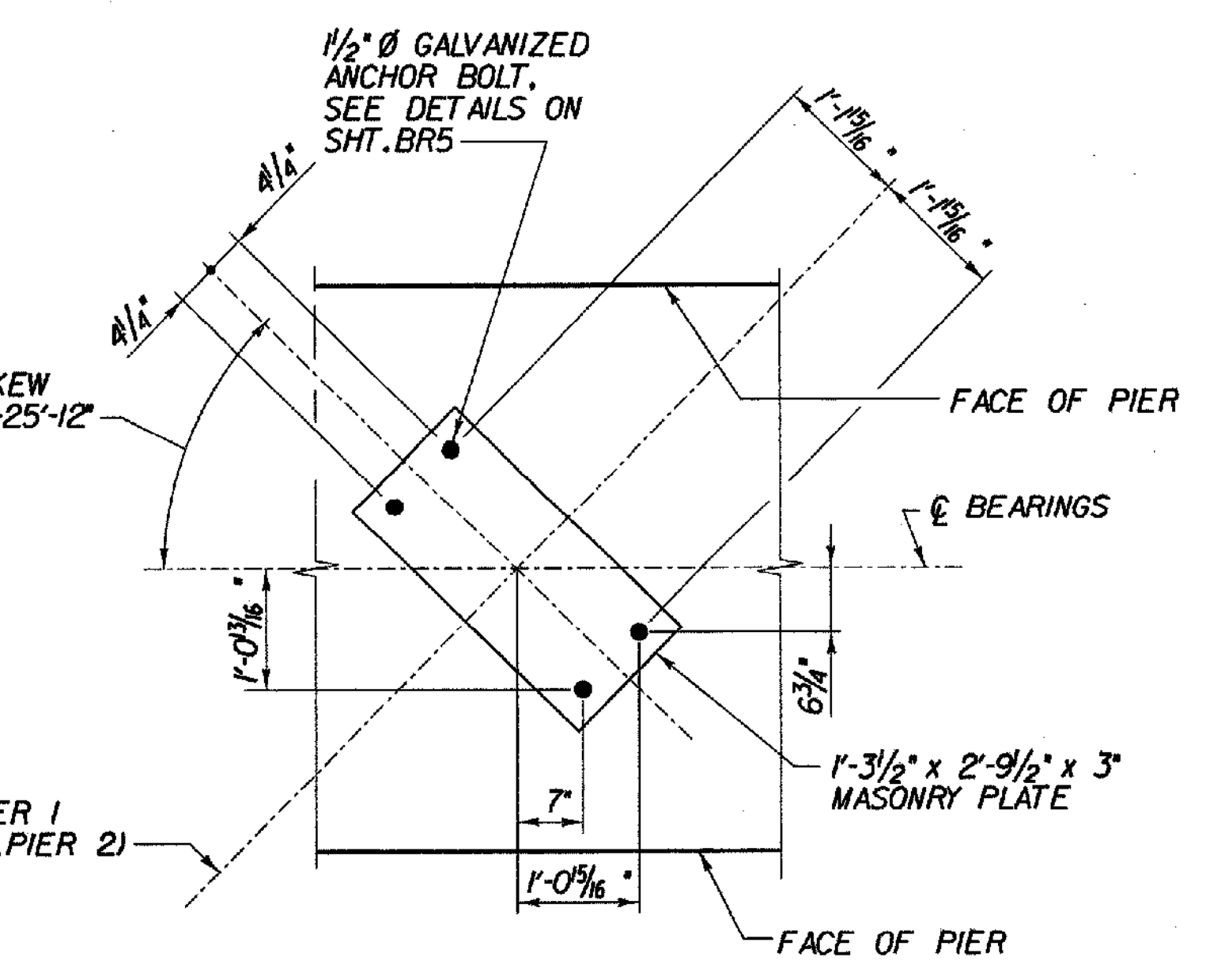
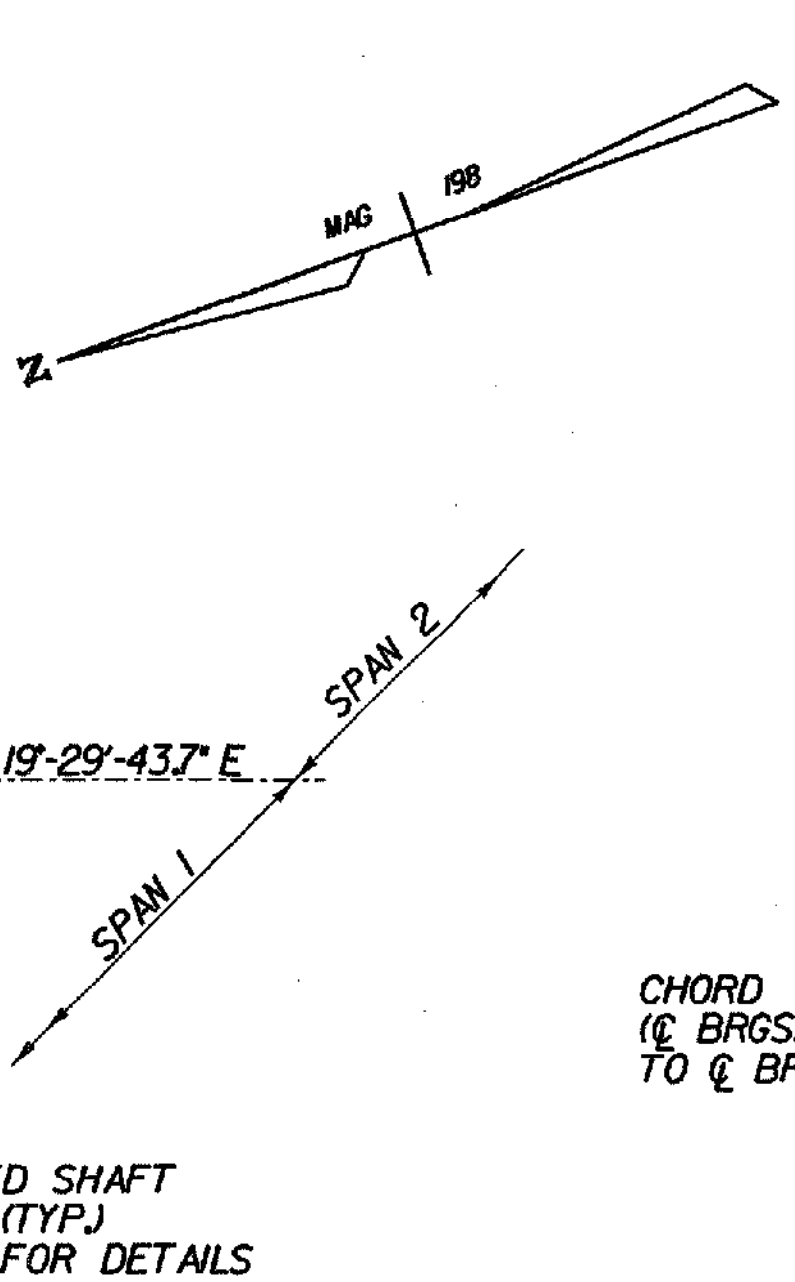
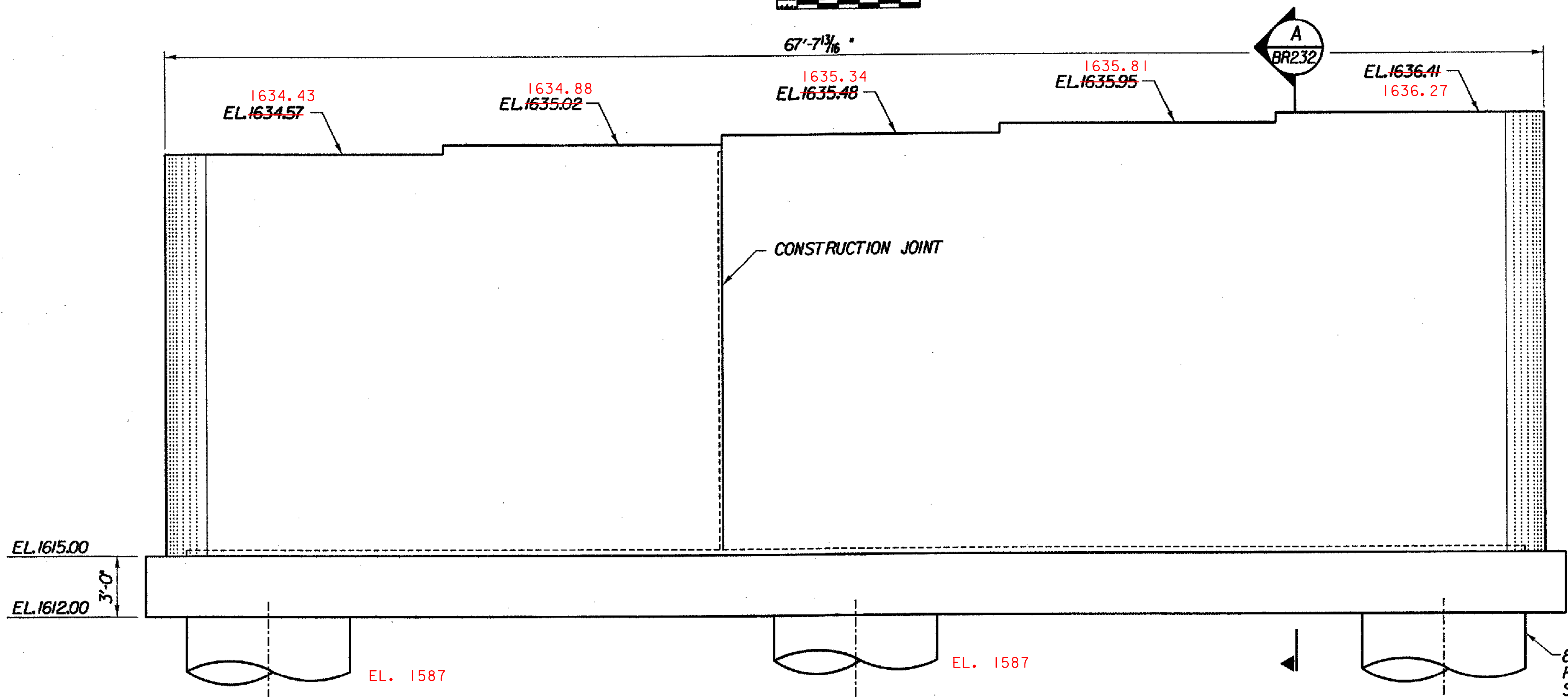


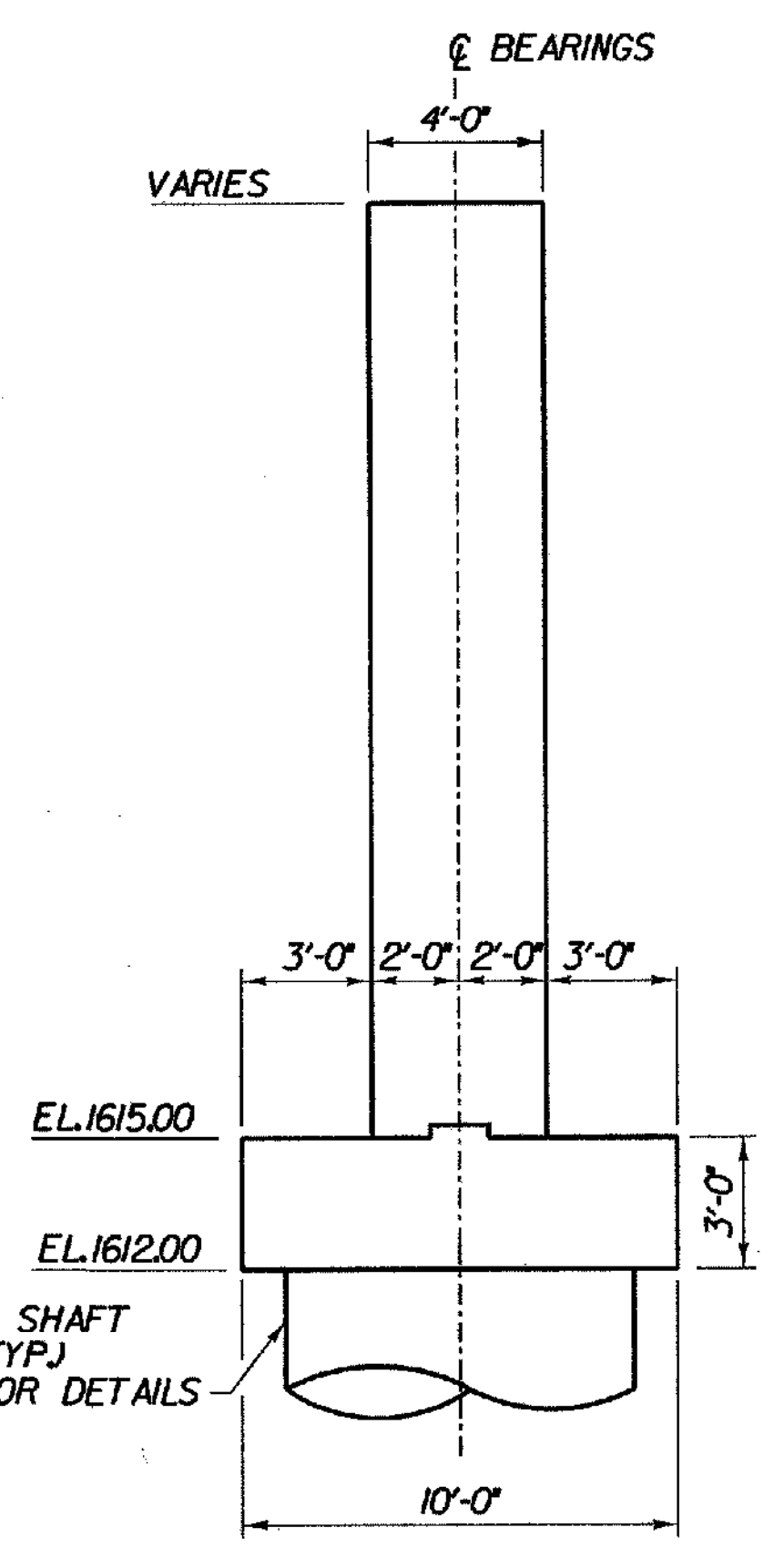
PIER 1 PLAN - BR 25
 SCALE 1/4" = 1'-0"
 1 0 2 4 6



PIER 1 ANCHOR BOLT LAYOUT PLAN
 SCALE 3/4" = 1'-0"
 1 0 2



PIER 1 ELEVATION - BR 25
 SCALE 1/4" = 1'-0"
 6 4 2 0 1



PIER 1 SECTION
 SCALE 1/4" = 1'-0"
 1 0 2 4 6

- NOTES:**
- ANCHOR BOLTS SHALL CLEAR ALL REINFORCING STEEL IN THE PIER CAP.
 - FOR BEARING DETAIL SEE BRIDGE SHEET BR5 AND BR7.
 - FOR CONSTRUCTION JOINT DETAIL SEE BRIDGE SHEET BR15.

STATE OF VERMONT AGENCY OF TRANSPORTATION		Town Of	SEARSBURG	Bridge No.	25
		Highway No.	VT. RTE. 9	Log Sta.	
				Surv. Sta.	
VT. RTE. 9 OVER DEERFIELD RIVER					
PIER 1 PLAN & ELEVATION - BR 25					
Designed By	D. VIEN	Drawn by	K. DETRICK/Wm WEATHERBY		
Checked By	M. OLSTAD	Date	12/2001	Bridge Design Supervisor	M. OLSTAD
				Date	12/2001
PROJECT	SEARSBURG - WILMINGTON			PROJECT NO.	NHF 010-108
I.G.C. Info.					
Bridge Sheet No. BR232					

CHA CLOUGH, HARBOUR & ASSOCIATES LLP
 ENGINEERS, SURVEYORS, PLANNERS & LANDSCAPE ARCHITECTS
 WINNERS CIRCLE ALBANY, NEW YORK, 02208