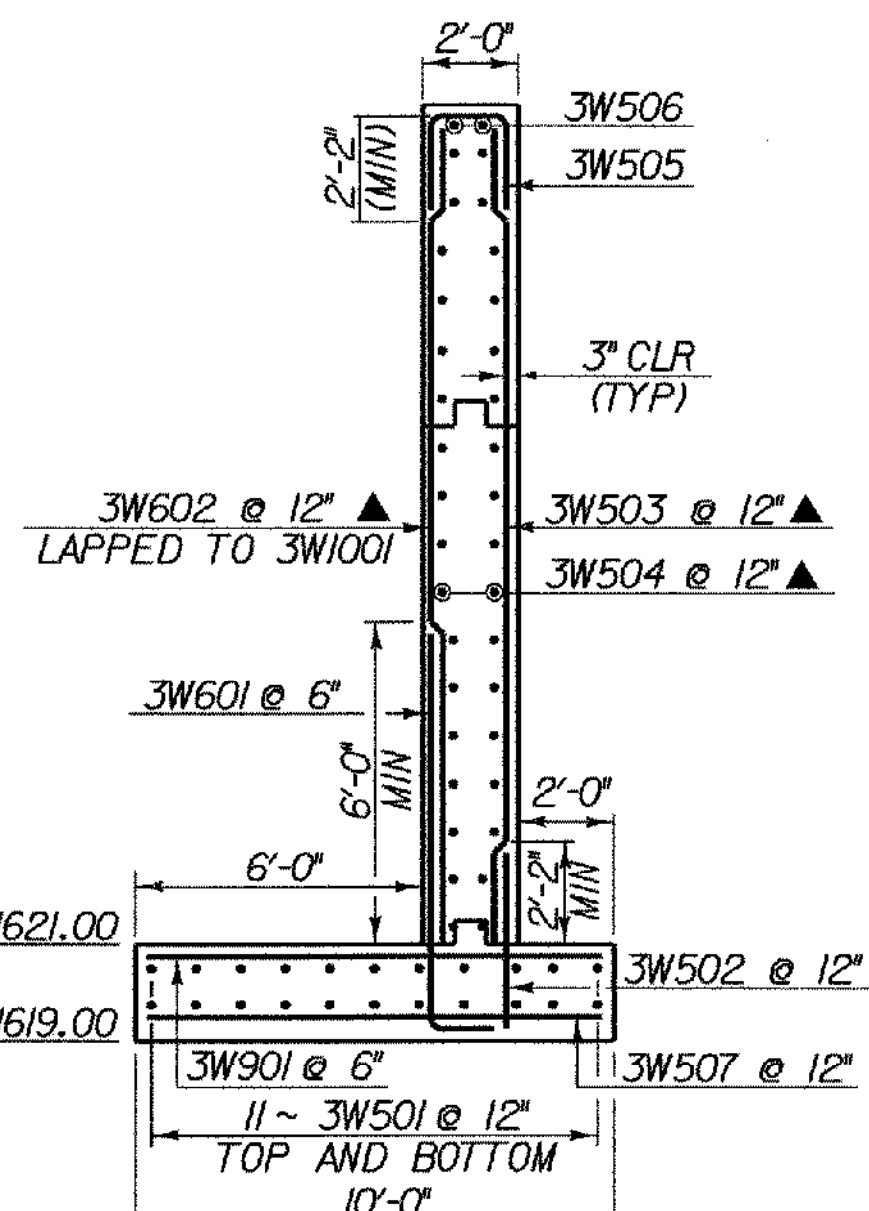


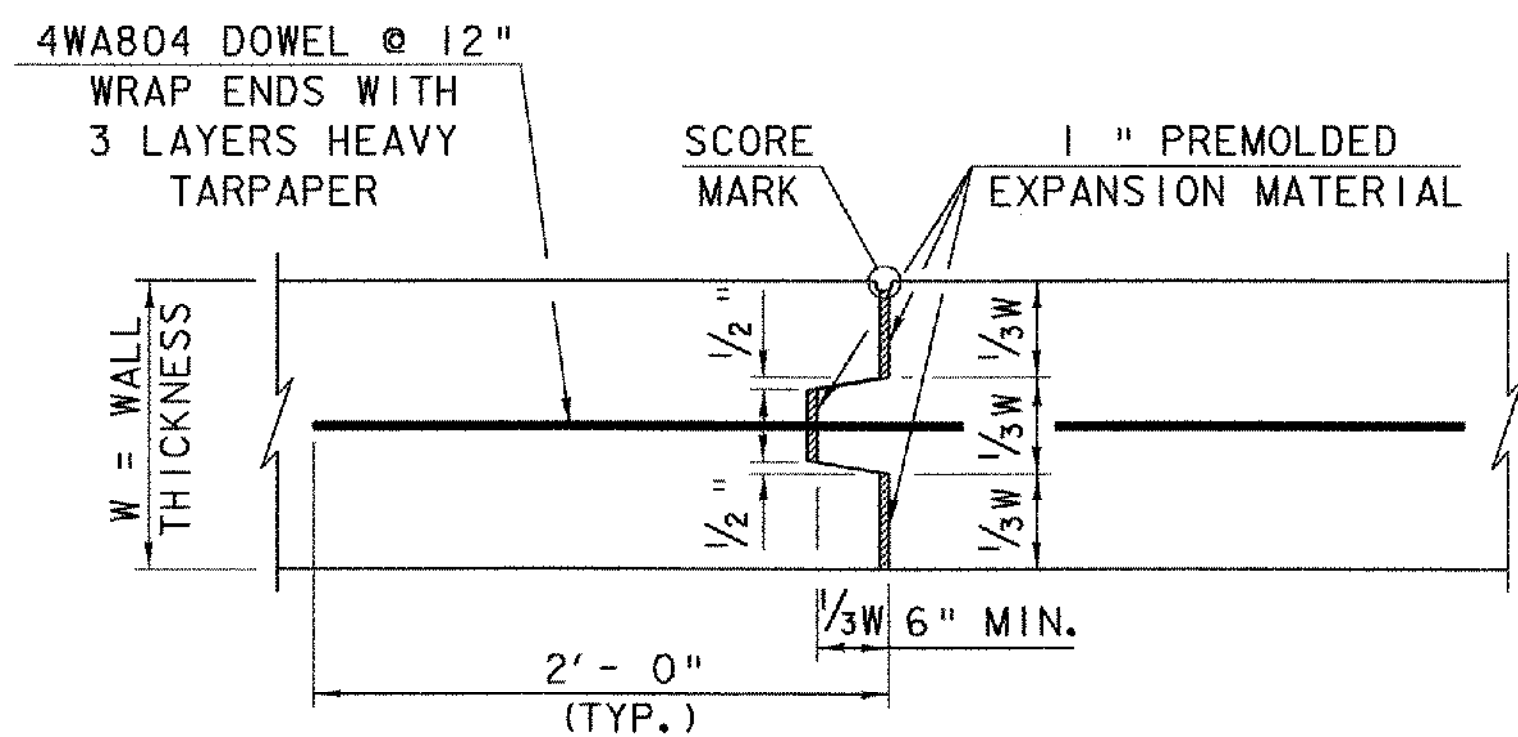
WINGWALL 3 ELEVATION - BR 25

SCALE 1/4" = 1'-0"
1 0 2 4 6



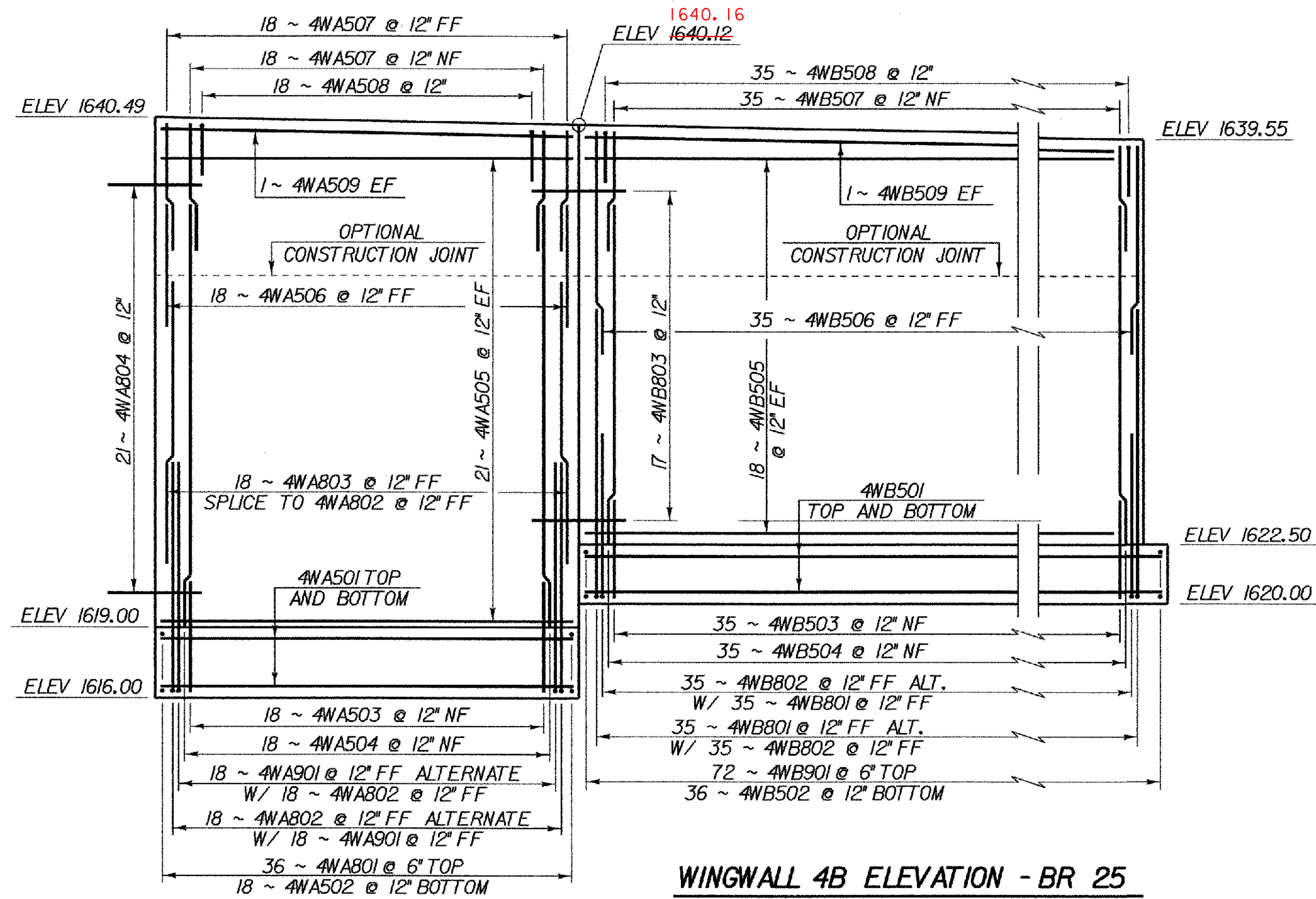
WINGWALL 3 SECTION

SCALE 1/4" = 1'-0"
1 0 2 4 6



TYPICAL CONCRETE EXPANSION JOINT

(IN WALL ONLY. PAINT SIDE OF KEY WITH BITUMEN TO PREVENT BONDING.)

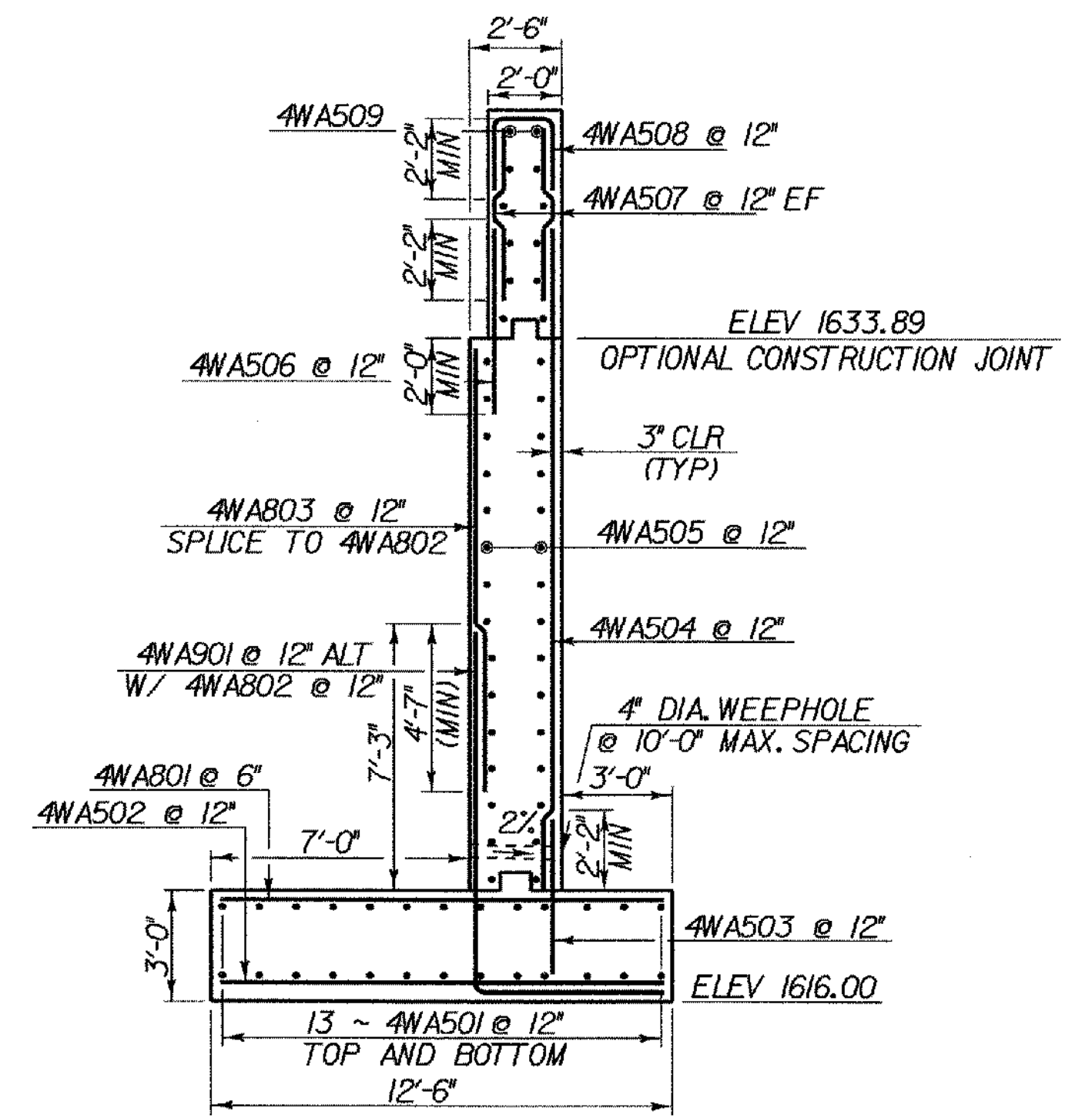


WINGWALL 4B ELEVATION - BR 25

SCALE 1/4" = 1'-0"
1 0 2 4 6

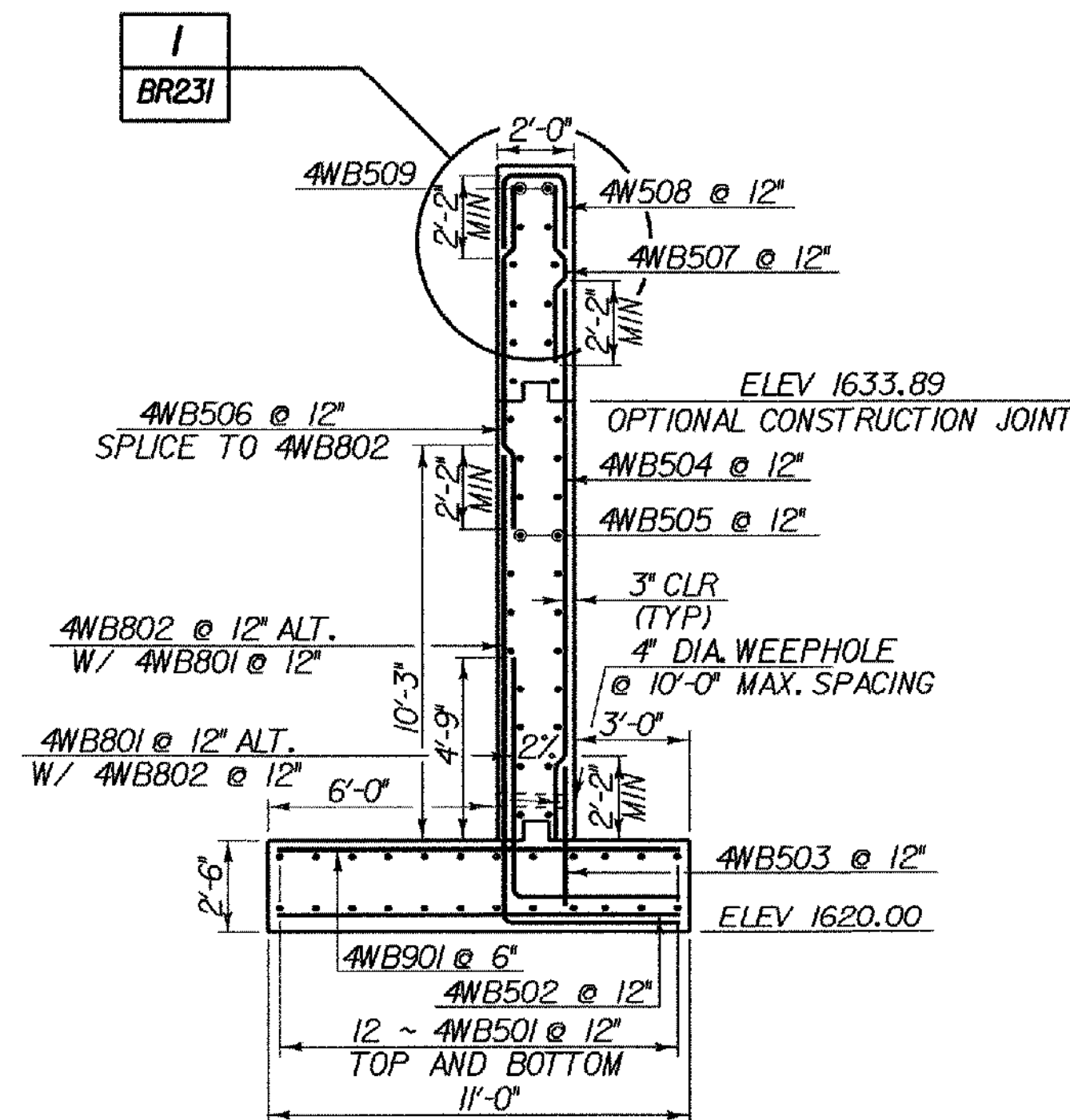
WINGWALL 4A ELEVATION - BR 25

SCALE 1/4" = 1'-0"
1 0 2 4 6



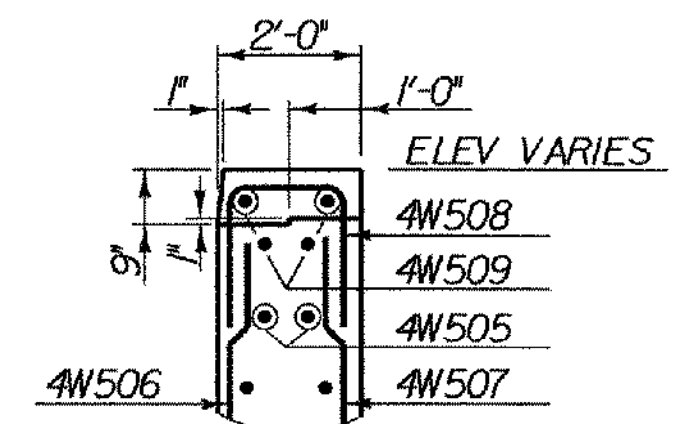
WINGWALL 4A SECTION - BR 25

SCALE 1/4" = 1'-0"
1 0 2 4 6



WINGWALL 4B SECTION - BR 25

SCALE 1/4" = 1'-0"
1 0 2 4 6



WINGWALL 4 CURB DETAIL

SCALE 3/8" = 1'-0"
1 0 1 2 3 4

KEY:
NF - NEAR FACE
FF - FAR FACE
EF - EACH FACE
▲ - CUT TO FIT IN FIELD
3" CLR. UNLESS OTHERWISE SPECIFIED ON THE PLANS.

SHEET NAME: ABUT 2 WINGWALL REINFORCING

PROJECT NAME: SEARSBURG

HIGHWAY NO.: ROUTE 9

PROJECT NUMBER: NH F 010-(18)

BRIDGE NO.: 25

FILE NAME: /str4/78d096/25 ab2elernf.dgn

PLOT DATE: 16-JAN-2003

PROJECT MANAGER: R.WHITCOMB

DRAWN BY: J.GILMORE

DESIGNED BY: CH&A LLP

IPARM NAME: br231

BRIDGE SHEET NUMBER: BR231

SHEET 157 OF 435