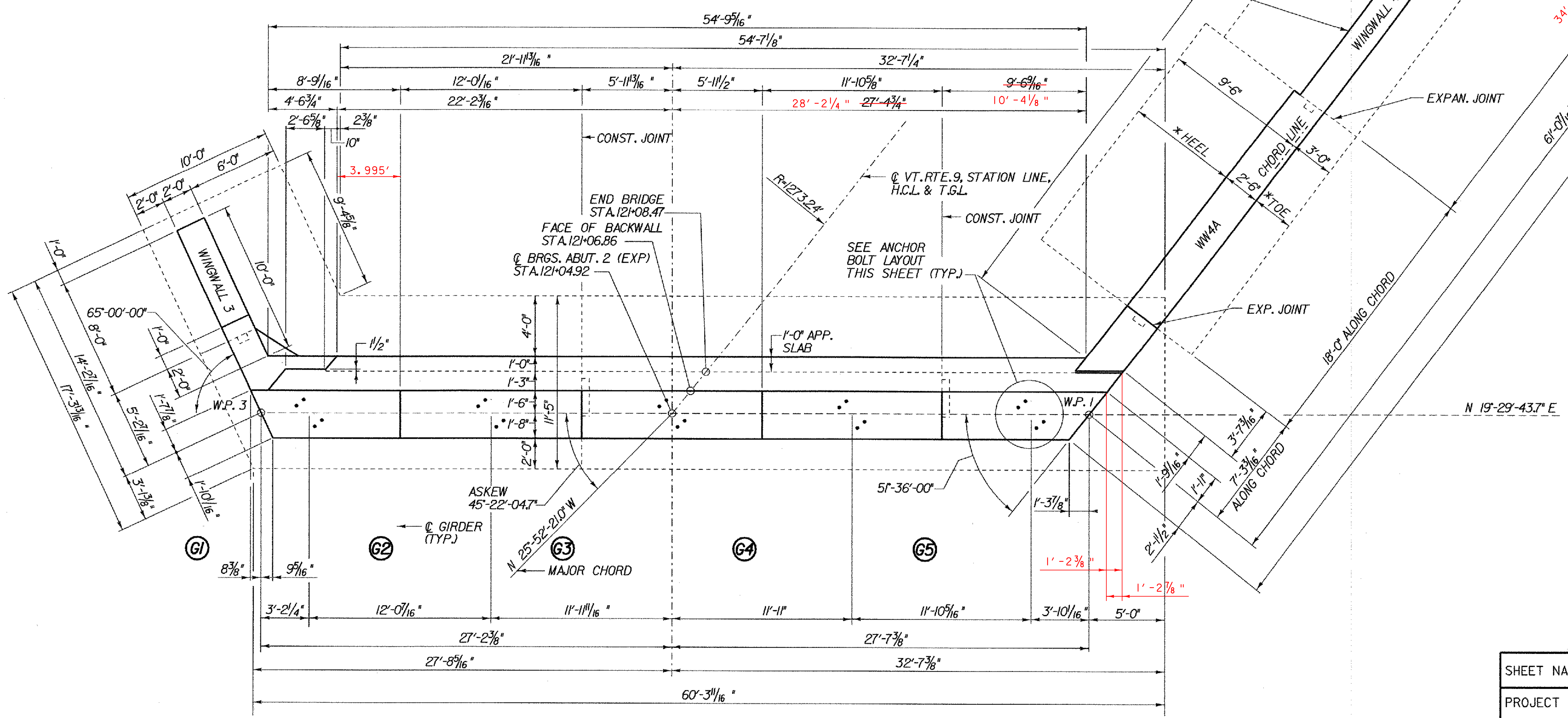


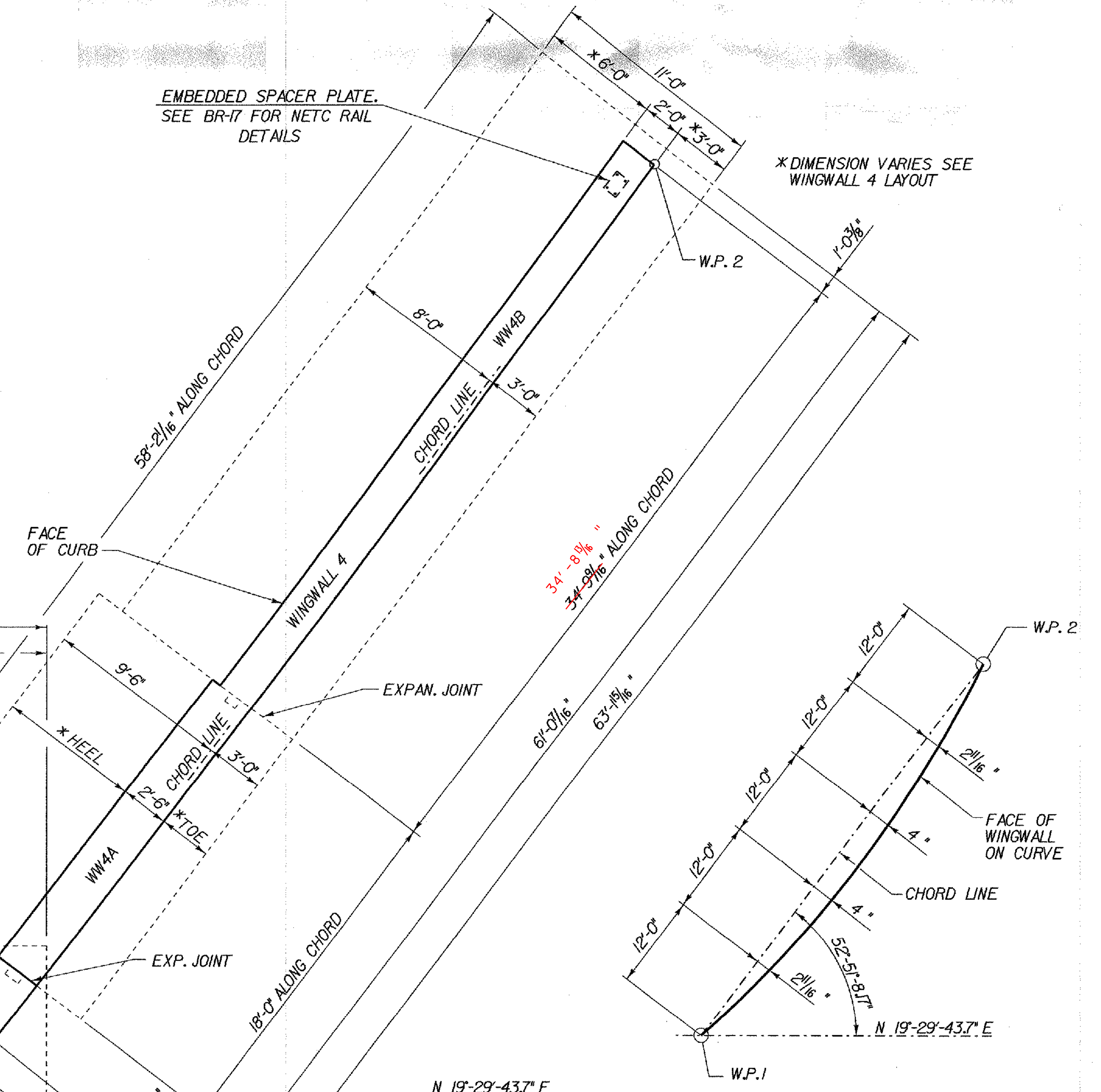
PLAN-ANCHOR BOLT LAYOUT-ABUTMENT 2 - BR 25

SCALE 3/4" = 1'-0"
0 2



ABUTMENT 2 PLAN - BR 25

SCALE 1/4" = 1'-0"
1 0 2 4 6



WINGWALL 4 LAYOUT
N.T.S.

- NOTES:**
1. FOR BEARING DETAIL SEE BRIDGE DRAWING BR5 AND BR7.
 2. FOR CONSTRUCTION JOINT DETAIL, SEE BRIDGE DRAWING BR15.

SHEET NAME: ABUTMENT 2 REDESIGN PLAN VIEW		
PROJECT NAME: SEARSBURG	HIGHWAY NO.: ROUTE 9	
PROJECT NUMBER: NH F 010-1(18)	BRIDGE NO.: 25	
	OVER: THE DEERFIELD RIVER	
FILE NAME: /str4/78d096/25 abut2.dgn	PLOT DATE: 16-JAN-2003	
PROJECT MANAGER: R.WHITCOMB	DRAWN BY: J.GILMORE	
DESIGNED BY: CH&A LLP	IPARM NAME: br226	
BRIDGE SHEET NUMBER: BR226	SHEET 152 OF 435	