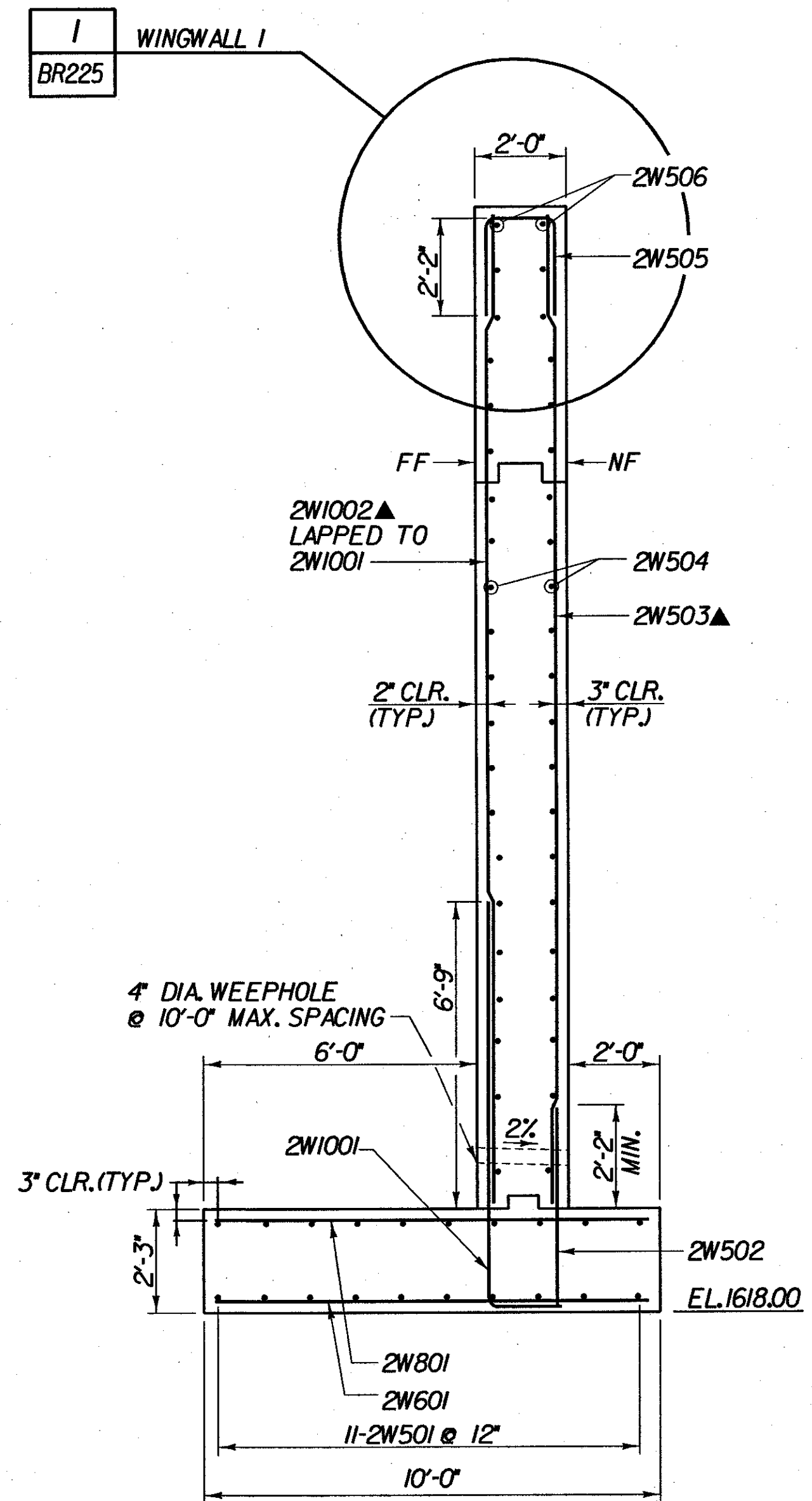
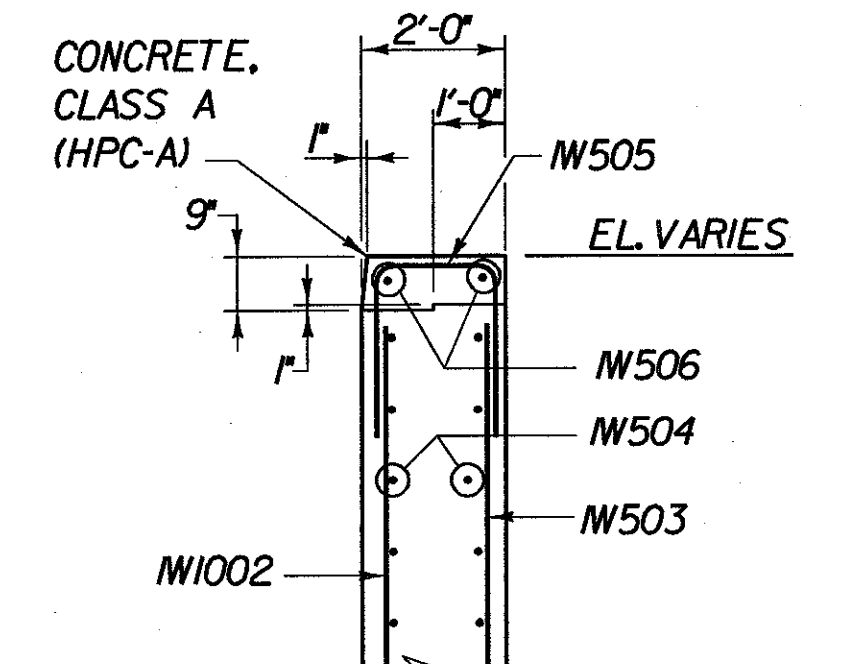


ABUTMENT 1 WINGWALL REINFORCING ELEVATIONS - BR 25

SCALE 1/4" = 1'-0"
1 0 2 4 6



A TYPICAL WINGWALL SECTION - BR 25
BR225 (WW 2 SHOWN, WW 1 SIMILAR)
SCALE 3/8" = 1'-0"
1 0 2 3 4



1 WINGWALL 1 CURB DETAIL
BR225
SCALE 3/8" = 1'-0"
1 0 1 2 3 4

KEY:

- NF - NEAR FACE
- FF - FAR FACE
- EF - EACH FACE
- ▲ - CUT TO FIT IN FIELD
- 3" CLR. UNLESS OTHERWISE SPECIFIED ON THE PLANS.

STATE OF VERMONT
AGENCY OF TRANSPORTATION

Town Of	SEARSBURG	Bridge No.	25
Highway No.	VT. RTE. 9	Log Sta.	
		Surv. Sta.	
VT. RTE. 9 OVER DEERFIELD RIVER			
ABUTMENT 1 WINGWALL REINFORCING - BR 25			
Designed By	D. VIENI	Drawn by	Wm WEATHERBY
Checked By	M. OLSTAD	Bridge Design Supervisor	M. OLSTAD
Date	2/2002	Date	2/2002
PROJECT	SEARSBURG - WILMINGTON	PROJECT NO.	NHF 010-118)
I.G.C. Info.		Bridge Sheet No. BR225	
		Sheet 151 OF 435	

CHA CLOUGH, HARBOUR & ASSOCIATES LLP
ENGINEERS, SURVEYORS, PLANNERS & LANDSCAPE ARCHITECTS
WINNERS CIRCLE ALBANY, NEW YORK, 12208